

LOWRANCE®

MARINE ELECTRONICS | 2022





THE LOWRANCE® LEGACY

It all started in the 1950s, with Darrell Lowrance and his efforts to use transistorized sonar technology to detect fish. His vision has defined the Lowrance® legacy for more than six decades – a legacy born on the water.

He set out to change the way people fished. He did just that in 1957 with the introduction of the first recreational fishfinder, the FISH-LO-K-TOR, affectionately known by millions as the “Little Green Box.”

That first Lowrance fishfinder spawned the recreational fishfinder industry and set the Lowrance brand on a path of innovation and achievement that still drives us today.

Our legacy as the top brand in marine electronics has been sustained by more than 60 years of innovation, reliability and quality, all driven by a never-ending quest to help anglers find more fish.



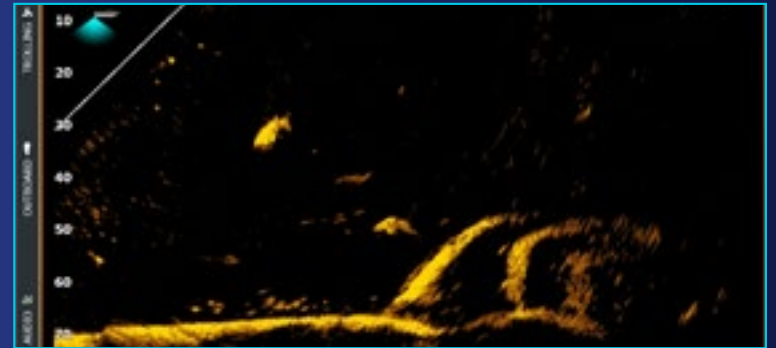
TABLE OF CONTENTS

- 2 | Sonar
- 4 | Family Breakdown
- 6 | HDS® LIVE
- 8 | ELITE FS™
- 10 | HOOK™ Reveal
- 12 | Ice Fishing
- 13 | Kayak Fishing
- 14 | GHOST® Trolling Motor
- 16 | C-MAP® Cartography
- 18 | Navigation
- 19 | Networking
- 20 | Part Number List
- 24 | Specs & Drawings

SONAR TECHNOLOGY



ACTIVETARGET® LIVE SONAR



Before high-resolution ACTIVETARGET Live Sonar – when anglers found fish with traditional sonar only – catching fish depended more on fishing experience or a trial-and-error process with different lures and presentations.

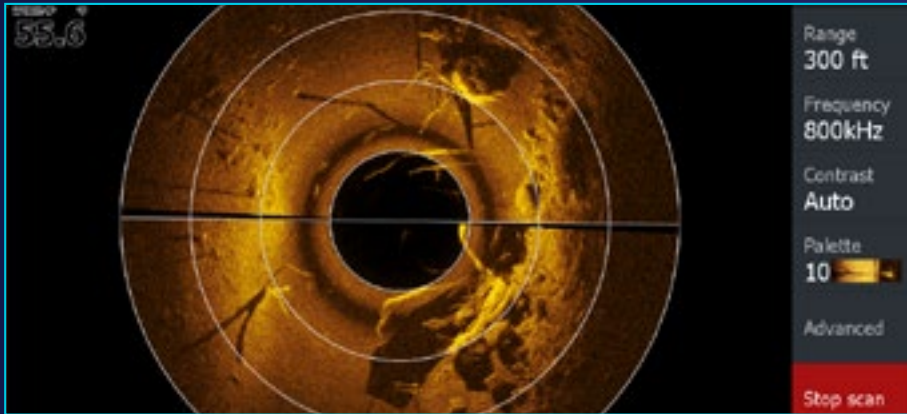
Knowing how fish responded to a specific lure or presentation speed was often a mystery.

With ActiveTarget, anglers get immediate feedback on how fish are relating to structure and reacting to their lure presentation – as it happens – letting them know if their approach is working or if it is time to change things up to get fish to strike.

Track fish with Forward or Down views, or use Scout view to see an ultra-wide, overhead view of structure and fish activity in front of your boat – perfect for finding bait balls and big schools of fish.

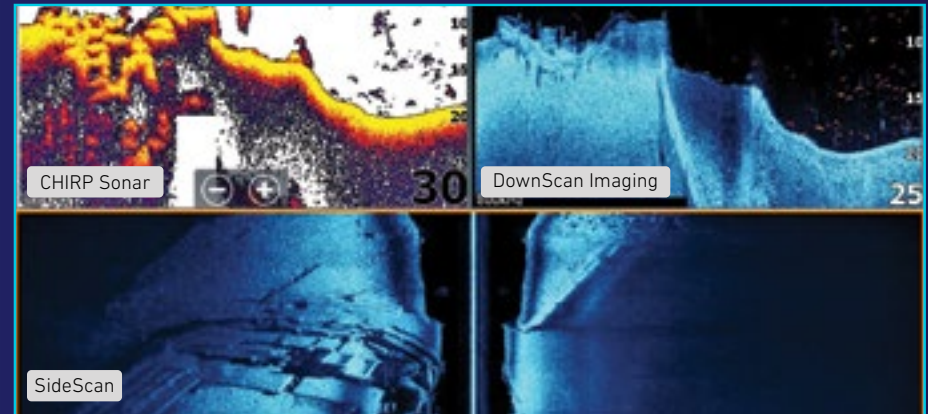
ActiveTarget is compatible with HDS® LIVE, HDS Carbon® and Elite FS™ displays.

GHOST 360



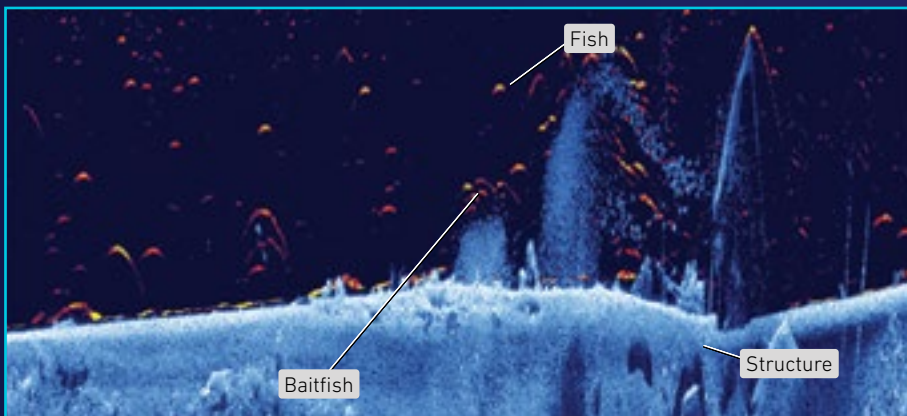
Delivering a high-resolution 360-degree view around the boat, Ghost 360* makes it easier for anglers to pinpoint structure, cover and fish targets around their boat. *Requires Ghost® Trolling Motor with Active Imaging™ 3-in-1 nosecone installed.

ACTIVE IMAGING™



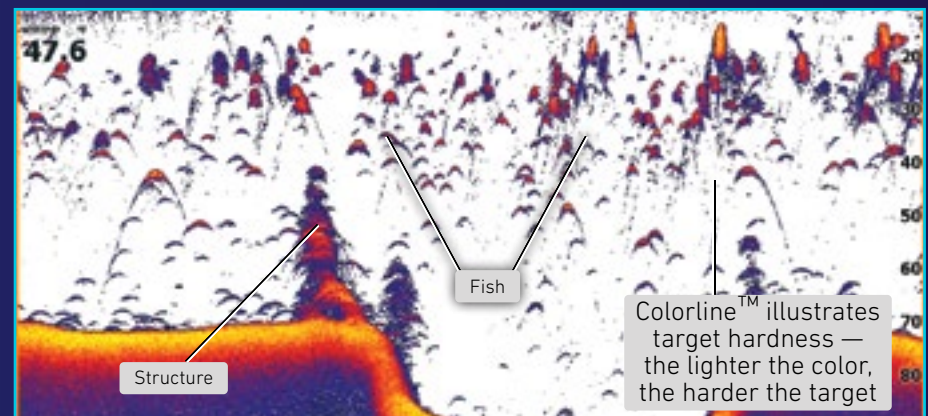
Perfect for pinpointing fish-holding areas like rockpiles, standing timber, weedbeds, ditches and drop-offs, Active Imaging 3-in-1 with Lowrance® CHIRP, SideScan and DownScan Imaging™ delivers superior clarity, the best target separation and extreme, high-resolution images of fish and structure at a longer range than any other structure imaging technology.

FISHREVEAL™



Makes fishing easier by combining on one screen the proven target identification of Lowrance® CHIRP sonar with the high-resolution images of bottom detail and structure from DownScan Imaging.

LOWRANCE CHIRP



Get the best views of fish right out of the box – even when they are close to the bottom or suspended in tight schools – with Lowrance CHIRP sonar, featuring exclusive Advanced Signal Processing (ASP™).

FAMILY BREAKDOWN



HDS LIVE® *ULTIMATE FISHING SYSTEM*™

Used by more touring pros than any other fishfinder, HDS® LIVE displays have the clearest and brightest SolarMAX™ HD IPS screens and the fastest processor. Available in 16-, 12-, 9- and 7-inch models, HDS LIVE displays have new, preloaded C-MAP® DISCOVER Onboard mapping, plus support for new high-resolution ActiveTarget™ Live Sonar and Active Imaging™ 3-in-1.



ELITE FS™ *TARGETING FISH JUST GOT EASIER*

ELITE FS™ includes support for the complete line-up of Lowrance® sonar in an easy to use and easy to install package. Elite FS is available in 9- and 7-inch models, comes preloaded with new, high detail C-MAP Discover OnBoard charts and includes support for new, high-resolution ActiveTarget Live Sonar and Active Imaging 3-in-1.



HOOK REVEAL *A REVELATION IN EASY FISH FINDING*

Designed for ease of use, HOOK® Reveal has Autotuning Sonar settings, FishReveal™ and Genesis® Live onscreen mapping. Available in 9-, 7- and 5-inch models, the HOOK Reveal series offers non-mapping GPS Plotters and full mapping displays with 4,000 lakes with 1-foot contours.

CAPABILITIES	HDSLIVE	ELITE FS	REVEAL
SolarMAX™ HD IPS Display	Orange		
SolarMAX Display		Blue	Grey
Touchscreen	Orange	Blue	
Multi-touch	Orange	Blue	
High-Performance Processor	Orange		
CHIRP	Orange	Blue	Grey
DownScan Imaging™	Orange		Grey
SideScan	Orange	Blue	Grey
FishReveal™	Orange	Blue	Grey
ActiveTarget*	Orange	Blue	
Active Imaging™ 3-in-1	Orange	Blue	
Ghost® Trolling Motor	Orange	Blue	
LiveCast**	Orange		
Preloaded C-MAP® DISCOVER Onboard	Orange	Blue	
Preloaded C-MAP US Inland			Grey
Genesis® Live	Orange	Blue	Grey
Automatic Routing	Orange	Blue	
Smartphone notifications	Orange	Blue	
Ethernet Networking	Orange	Blue	
Live network sonar	Orange		
Dual Channel CHIRP	Orange		
Internal GPS antenna (excludes sonar only displays)	Orange	Blue	Grey
Wireless connectivity	Orange	Blue	
NMEA 2000®	Orange	Blue	
NMEA 0183	Orange		
Engine Integration	Orange	Blue	
SmartSteer™ MotorGuide® Xi5 trolling motor control	Orange	Blue	
SmartSteer outboard pilot	Orange	Blue	
Power-Pole® anchors	Orange	Blue	
SiriusXM® Marine Weather	Orange		
Radar	Orange	Blue	
SonicHub® 2/NMEA 2000® Audio	Orange	Blue	
Video Input	Orange		

*Elite FS requires a PSI-1 module or to be connected to an HDS Live**Compatible only with HDS-12 and HDS-16 Live



LOWRANCE® APP

The Lowrance App can be used as a standalone tool or synced with Lowrance devices for added benefits – from device registration, software updates and other downloads to saving waypoints, routes and trails, making them accessible both on and off the water.

The app works from a smart phone, tablet or computer and is available on the Android® Play Store and Apple® App Store.



HDS LIVE®

THE ULTIMATE FISHING SYSTEM



HDS® LIVE displays are used by more pros on the MLF, Bassmaster and FLW tours than any other fishfinder . Why? It's simple – when money is on the line and catching fish matters, HDS LIVE gives them the best chance to win.

From support for new high-resolution ACTIVETARGET® Live Sonar and extreme high-definition Active Imaging™ with Lowrance® CHIRP, SideScan and DownScan Imaging™ to new incredibly-detailed C-MAP® DISCOVER™ Onboard preloaded mapping and full touchscreen control of Power Pole® anchors and the Ghost® trolling motor – you will find more fish with HDS LIVE – that's a fact.



KEY FEATURES

- ActiveTarget® Live Sonar Ready
- Preloaded C-MAP® DISCOVER™ Onboard
- SolarMAX™ HD screens with brightest and clearest sonar images
- Fastest processor for smoother operation and quicker chart redraws
- Support for Active Imaging™ 3-in-1 sonar with SideScan and DownScan Imaging™
- FishReveal™
- Full integration with Ghost® Trolling Motor
- C-MAP® Genesis® Live mapping
- Autorouting support
- LiveCast™ (16/12 only)
- Smartphone notifications
- True High-Definition, six-panel splitscreen (HDS®LIVE 16 only)
- Touchscreen control of trolling motor, outboard pilot and Power-Pole®
- SonicHub®2 and SiriusXM® Marine Weather/Audio ready
- HALO24, 20+ and 20 Pulse Compression Radar Support
- Mercury® VesselView® Link ready
- Sleek, true flush-mount design
- Wide range of mapping options including C-MAP, Navionics®, Florida Marine Tracks and more

C-MAP DISCOVER ONBOARD

Spend more time fishing and less time searching for fish-holding areas with C-MAP DISCOVER OnBoard charts preloaded in HDS LIVE displays. Find key fishing areas with full-featured vector charts, custom depth shading, high-resolution coastal coverage and 1-foot contours on 19,000+ US lakes and 9,400+ lakes in Canada.



KEY FEATURES

- Custom depth shading
- Easy routing, Lowrance presentation for icons
- High-Resolution, Bathymetric 1-foot contours on 15,000 U.S. lakes
- Standard navigation data
- Fishing POIs

YOUR ULTIMATE FISHING SYSTEM™ BEGINS WITH HDS LIVE.

Build your Ultimate Fishing System with HDS LIVE, featuring preloaded DISCOVER Onboard charts and your choice of fish-finding tools – from ActiveTarget Live Sonar and Active Imaging 3-in-1 to Power-Pole® Shallow Water Anchors, the Ghost Trolling Motor and more.



ELITE FS™

TARGETING FISH JUST GOT EASIER



The new Elite Fishing System™ (FS) combines the power of the full line-up of Lowrance® fishfinding tools in a more affordable, easy-to-use display.

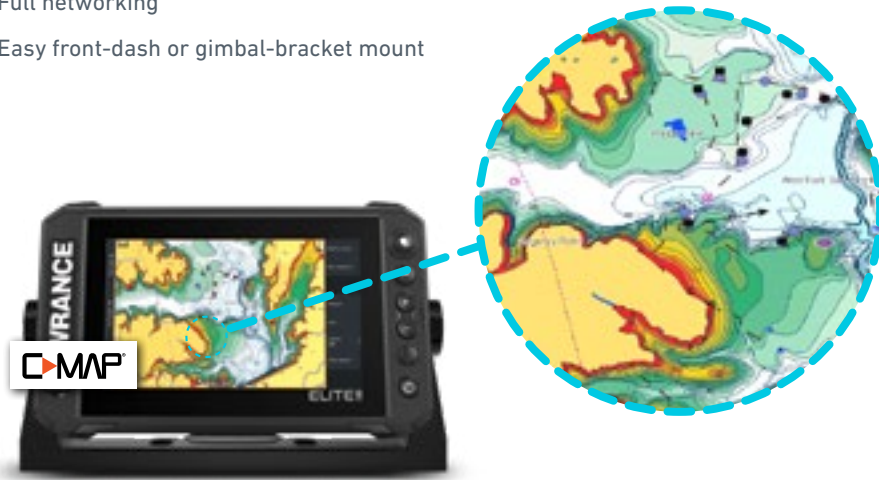
From new high-resolution ActiveTarget™ Live Sonar and extreme high-definition Active Imaging™ with Lowrance CHIRP sonar, SideScan /DownScan Imaging™ and FishReveal™ to the incredibly detailed C-MAP® DISCOVER Onboard preloaded Fishing Maps, Elite FS gives you all the tools you need to find and catch more fish.

Elite FS displays bring enhanced integration capability to the Elite series with full Ethernet networking, wireless connectivity and engine integration, plus touchscreen control of Power Pole® anchors and the Ghost® Trolling Motor.



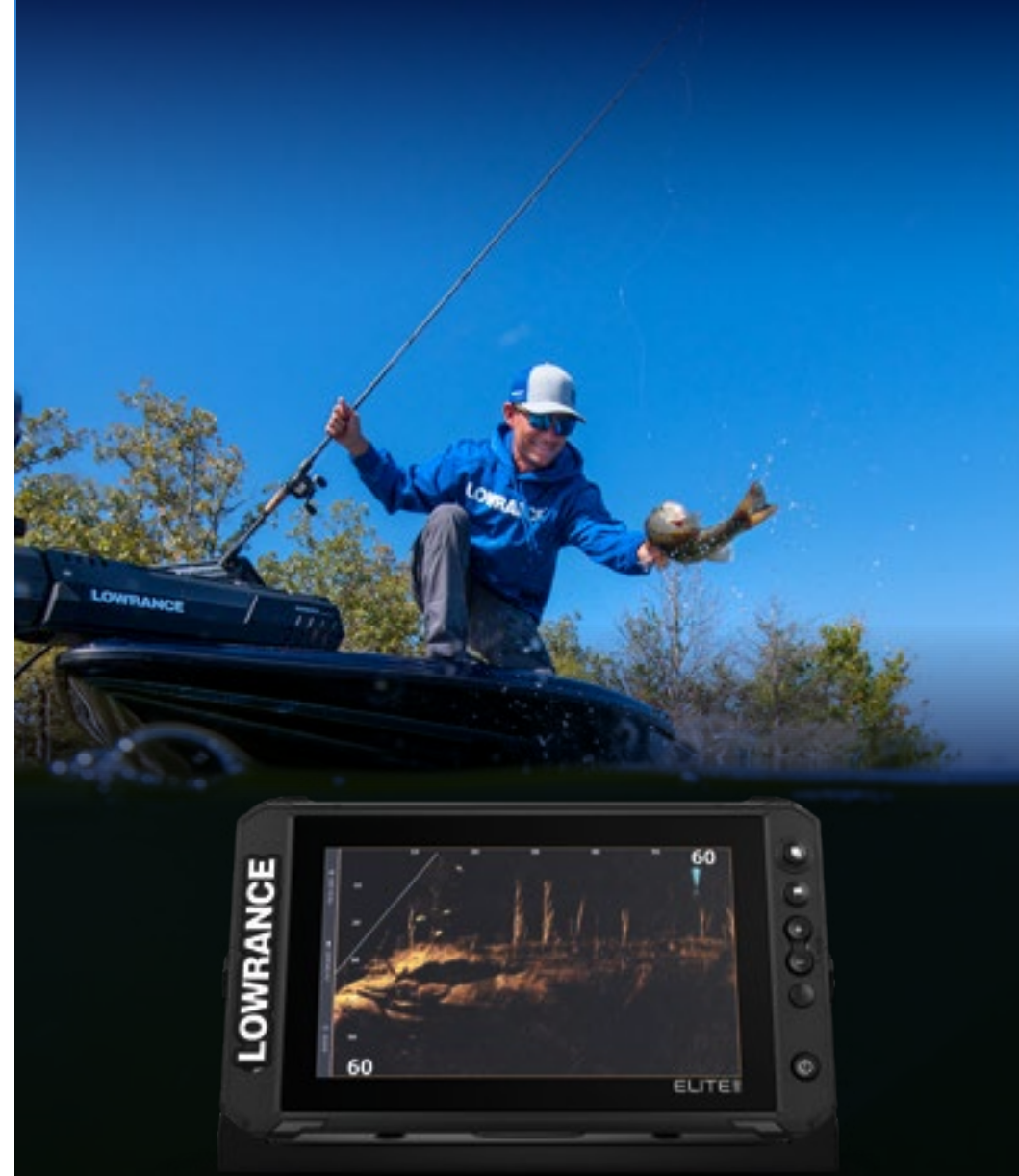
KEY FEATURES

- ActiveTarget® Live Sonar ready
- Active Imaging™ 3-in-1 ready
- FishReveal™
- New! Preloaded C-MAP® DISCOVER™ OnBoard
- C-MAP® Easy Routing™, Navionics® Autorouting capability
- C-MAP® Genesis® Live Real-Time Mapping
- Multitouch
- HALO24, 20+ and 20 compatible
- Wide range of mapping options including C-MAP, Navionics®, Florida Marine Tracks and more
- Touchscreen control of Ghost® trolling motor and Power Pole® shallow water anchors
- SonicHub®2 Audio Server ready
- Engine integration and outboard pilot control
- Wireless connectivity
- Full networking
- Easy front-dash or gimbal-bracket mount



C-MAP DISCOVER ONBOARD

Spend more time fishing and less time searching for fish-holding areas with C-MAP DISCOVER OnBoard charts preloaded in Elite FS™ displays. Find key fishing areas with full-featured vector charts, custom depth shading, high-resolution coastal coverage and 1-foot contours on 19,000+ US lakes and 9,400+ lakes in Canada.



ACTIVETARGET LIVE SONAR

Add ActiveTarget to your Elite FS system and track fish and lure presentations with high-resolution views in front or below your boat – or use the Scout mode to see an ultra-wide, overhead view of structure and fish activity in front of your boat.

HOOK[®] REVEAL

A REVELATION IN EASY FISH FINDING



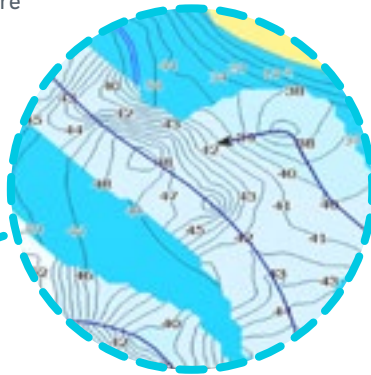
HOOK™ Reveal makes fishing easier, delivering powerful performance with proven fish-finding tools, including Autotuning Sonar, SideScan* and DownScan Imaging™, plus FishReveal™ – a powerful fish-finding feature that makes fish easier to see by combining the benefits of Lowrance® CHIRP sonar and DownScan Imaging™ on one screen.

Whether you're fishing a local spot or unfamiliar water, find the best fishing areas with preloaded US Inland mapping or map uncharted water – in real time – with Genesis® Live.



KEY FEATURES

- Easy to use, easy to install
- Models available with TripleShot (High CHIRP | SideScan | DownScan Imaging™) or SplitShot (High CHIRP | DownScan Imaging) transducers
- FishReveal™
- Genesis® Live Real-Time Mapping
- Choose from models with preloaded C-MAP® US Inland mapping or non-mapping GPS Plotters
- Preloaded C-MAP® US Inland Mapping includes 1-foot contours on 4,000 lakes
- Enjoy automated sonar settings with Autotuning Sonar
- SolarMAX™ Display
- Double the sonar coverage of traditional fishfinders
- Wide range of fishfinding color palettes
- Keypad with one-touch access to key features
- Mapping options include C-MAP, Navionics® and more
- MicroSD card slot
- Easy front-dash or gimbal-bracket mount



GENESIS LIVE - MAPPING IN REAL TIME

Update the mapping of your favorite fishing spot or map uncharted areas – in real time – on the screen of your fishfinder/chartplotter with C-MAP Genesis Live.

Genesis Live is available on HDS®LIVE, Elite FS™ and on both HOOK® Reveal mapping and non-mapping GPS Plotter* models.

*Requires microSD card



THERE'S A HOOK MADE FOR YOU

Select a HOOK Reveal for the way you fish from combos featuring Tripleshot 3-in-1, SplitShot 2-in-1 and HOOK2 Bullet sonar with chartplotter or basic GPS plotter navigation capability.

MODEL	HOOK ² 4X	HOOK ² 4X Plotter	HOOK Reveal 5x Plotter	HOOK Reveal 5	HOOK Reveal 7x Plotter	HOOK Reveal 9	HOOK Reveal 5	HOOK Reveal 7x Plotter	HOOK Reveal 7	HOOK Reveal 9
TRANSDUCER	BULLET	BULLET	SPLITSHOT	SPLITSHOT	SPLITSHOT	SPLITSHOT	TRIPLESHOT	TRIPLESHOT	TRIPLESHOT	TRIPLESHOT
FISHREVEAL			🎯	🎯	🎯	🎯	🎯	🎯	🎯	🎯
BROADBAND SOUNDER	📶	📶	📶	📶	📶	📶	📶	📶	📶	📶
CHIRP			🐟	🐟	🐟	🐟	🐟	🐟	🐟	🐟
DOWNSCAN IMAGING			📶	📶	📶	📶	📶	📶	📶	📶
SIDESCAN IMAGING							📶	📶	📶	📶
GENESIS LIVE			🐟	🐟	🐟	🐟	🐟	🐟	🐟	🐟
GPS MAPPING				🌐		🌐	🌐		🌐	🌐
GPS PLOTTER		📍	📍		📍			📍		

ICE FISHING



Lowrance® All-Season and Portable Power Packs are easy to transport, come with an adjustable display mount, a pair of tackle boxes, a power cable and a battery ensuring you have everything you need, whether you are fishing from a small boat, or a stationary location, like ice or a dock.

NEW PORTABLE POWER PACK FOR HDS®, ELITE FS™ AND HOOK® DISPLAYS

Get your ice fishing fix with the same display you use on your boat with the Lowrance Portable Power Pack. The pack is compatible with all 7- and 5-inch HDS LIVE, Elite™ Ti², Elite™ Ti, HOOK Reveal and HOOK² fishfinder/chartplotters.

NEW ELITE FS ALL SEASON PACK

The Elite FS All-Season Pack comes with an Elite FS 7 fishfinder/chartplotter, power cable, ice transducer and HDI™ Skimmer® transducer, allowing anglers to use the display on both the ice and their boat.

LOWRANCE PRO POWER KIT

Bring all-day power to the HOOK Reveal display on your kayak or small boat with the compact Lowrance® Pro Power Battery Kit. Featuring a 12V, 10-amp hour NOCQUA battery with 300+ rechargeable cycles the Kit comes with a HOOK Reveal power cable and fully integrated water-resistant housing.

HOOK² 4X ALL SEASON PACKS

From frozen lakes to summer heat and everything in between, you'll be fishing ready for all conditions with portable, HOOK² 4x All-Season Packs, featuring high-resolution 4-inch display, Lowrance Broadband sonar and HOOK² exclusive Autotuning sonar. All-Season Packs are available as sonar only and GPS Plotter models.



KAYAK FISHING

Kayak fishing has never been more popular and for good reason. Kayaks are more affordable than boats, provide access to areas boats can't reach and are easier to transport and store.

Rig your kayak with one of our Elite FS™ or HOOK® Reveal displays and you can bring the same fishfinding sonar boaters have relied on for decades to your kayak.

KAYAK KIT

The Portable Kayak Kit secures the battery, transducer and display to a single box, making it easy to mount and remove Lowrance® products from the kayak, and features built-in transducer cable management that keeps excess transducer cable away from the anglers fishing from a kayak.

KEY FEATURES

- CellBlok™ supports 6AH 12V battery
- CellBlok is compatible with any unit that uses the Lowrance® Quick Release Bracket
- Built-in transducer cable management keeps excess transducer cable out of the way
- RAM® Mount swing arm allows quick and easy mounting of all Lowrance Skimmer® transducers.

KAYAK SCUPPER MOUNT

The Kayak Scupper Mount is the most convenient way to mount Lowrance transducers on sit-on-top kayaks without the hassle of drilling holes or using messy adhesives. The Scupper Mount ensures the transducer is totally submerged in the water while fishing, which provides maximum sonar sensitivity and the clearest views of structure and fish. Fits Lowrance Skimmer® transducers, including HDI™ with DownScan Imaging™.



GHOST[®]

TROLLING MOTOR

***QUIET BY NAME.
POWERFUL BY DESIGN***



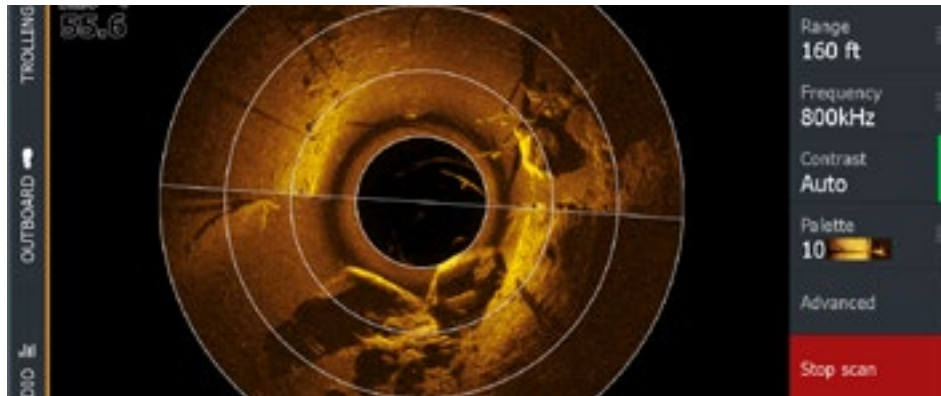
Fish longer, run faster and move in closer to the fish with rugged, reliable and ultra-quiet Ghost[®] Trolling Motors. Ghost has a quiet and powerful brushless motor with the most thrust and the longest run time of any trolling motor on the market.

Never spook another fish with the Ghost brushless motor, which delivers 25-percent more power and 60-percent greater efficiency, allowing you to silently cover more water, easily anchor when and where you want – even in strong winds – and stay on the water longer without draining your battery.



KEY FEATURES

- Reliable
- Silent Operation
- Fastest Top-End Speed
- Total Integration with HDS®LIVE and Elite FS™
- ActiveTarget® Live Sonar mounting options
- Fly-By-Wire Steering
- Plug-and-Play HDI™ Nosecone, plus optional Active Imaging™ 3-in-1 Nosecone with 360-degree views
- Configurable Foot-pedal
- Interference Free
- Flexible Installation
- 360° Breakaway Mount
- Easy to Stow and Go



GHOST 360

High-resolution Ghost 360* provides a complete 360-degree view of the bottom, making it easier for anglers to pinpoint structure, cover and fish targets. The high-resolution, 360-degree scans of structure and cover – with up to a 300-foot max radius – are generated by the automatic rotation of the Ghost® Trolling Motor with an Active Imaging™ 3-in-1 nosecone installed. *Requires Active Imaging 3-in-1 nosecone.

INCREDIBLE PERFORMANCE

Zoom from spot to spot or zip across the cove with up to 25-percent more thrust than competing models. Ghost's brushless motor also delivers 60-percent better run-time efficiency.

FLY-BY-WIRE STEERING

Instant and smooth fly-by-wire steering control gives Ghost® the feel of a traditional cable-steer motor, but without the physical cables that wear out over time.



CONFIGURABLE FOOT-PEDAL

Configurable Ghost foot pedal has via programmable shortcut buttons and a Flipswitch™ that allows the trolling motor to be driven from either side of the pedal. The foot pedal features a battery-level indicator, plus Anchor and Heading mode quick access keys. Program the shortcut buttons to quickly drop a waypoint or raise/lower a Power-Pole®.

SILENT OPERATION

So silent you'll wonder if it's running, Ghost® allows you to move in closer than ever before with its ultra-quiet brushless motor. Fish will never hear you coming.

TOTAL INTEGRATION

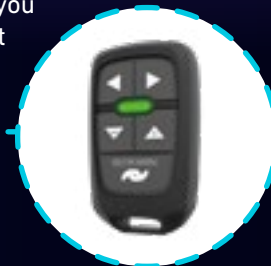
Steer your boat, adjust your speed, set up route navigation or anchor at your current location with full touchscreen control from HDS®LIVE, HDS Carbon and Elite FS™ displays.

AVAILABLE WITH 47-, 52- AND 60-INCH SHAFTS!

The longer trolling motor shafts are perfect for walleye and bass boats with higher bows.

OWN YOUR SPOT

Ghost's powerful and precise anchoring lets you anchor your boat on a waypoint, at your current location or anywhere on the map – regardless



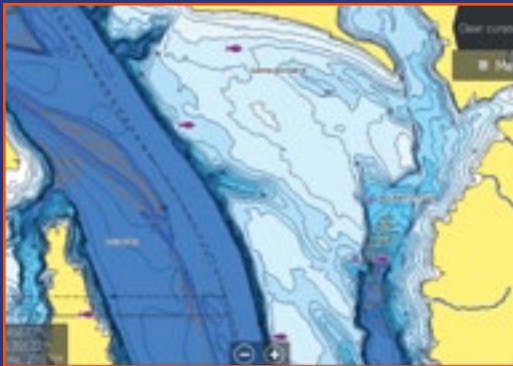
TMR-1 REMOTE

Control the Ghost trolling motor from anywhere on your boat with the optional TMR-1 Remote. (Included with Ghost 60).

MAPPING UPGRADES



Lowrance® fishfinder/chartplotters are compatible with a wide range of chart options, allowing you to handpick a map that best suits your mapping preferences from C-MAP®, Navionics®, CMOR, Florida Marine Tracks and more.

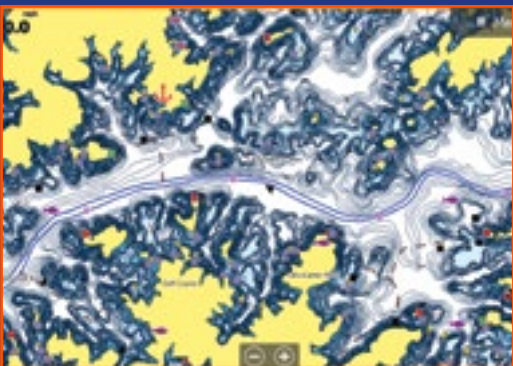


C-MAP® DISCOVER™ • *ULTRA-WIDE COVERAGE WITH ALL THE FEATURES*

C-MAP DISCOVER includes all of the great features of Discover Onboard, with an additional 12 months of Online Updates.

KEY FEATURES:

- Full-Featured Ultra-Wide Coverage
- High-Resolution Bathymetry
- Custom Depth Shading
- Easy Routing
- Detailed Marina Port Plans
- Online Updates (12 months free)
- Full Featured Vector Charts
- Tides & Currents
- Harbor & Approach Details

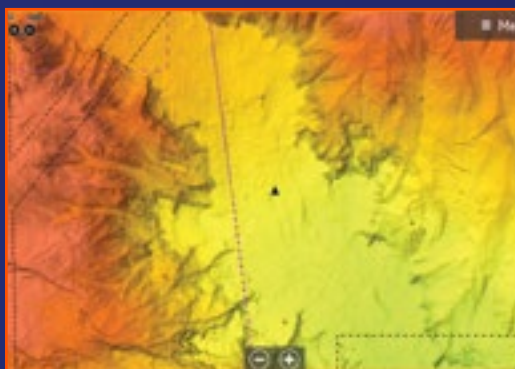


C-MAP REVEAL™ LAKES • *THE BEST INLAND MAPPING ON A REGIONAL CARD*

Brings together all the best data C-MAP has to offer, from Precision Contour professional lake surveys, C-MAP Genesis® Social Maps and traditional lake maps.

KEY FEATURES:

- High-Resolution Bathymetry
- Shaded Relief
- Satellite Overlay
- Custom Depth Shading
- Easy Routing
- Detailed Marina Port Plans
- Online Updates (12 months free)
- Aerial Photography
- Full Featured Vector Charts
- Harbor & Approach Details

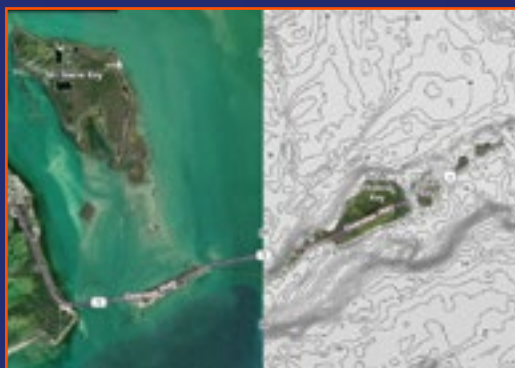


C-MAP® REVEAL™ COASTAL • *THE BEST COASTAL MAPPING ON A SINGLE CARD*

Whether cruising, fishing or sailing, C-MAP REVEAL Coastal charts offer the very best of C-MAP including the core features in DISCOVER charts, plus Shaded Relief, Reveal Seafloor coverage and more.

KEY FEATURES:

- C-MAP Reveal seafloor coverage
- High-Resolution Bathymetry
- Shaded Relief
- Aerial Photography
- Satellite Overlay
- Dynamic Raster Charts
- Full Featured Vector Charts
- Custom Depth Shading
- Easy Routing
- Tides & Currents
- Detailed Marina Port Plans
- Harbor & Approach Details



C-MAP GENESIS®

C-MAP Genesis allows you to create your own high definition fishing maps with one-foot contours. You can upload your maps to the community and explore and download other maps created by other users.

KEY FEATURES:

- Survey quality Contour Data
- Custom depth shading
- Points of Interest
- High resolution satellite imagery
- Preset Depth Shading Palettes, including Safety Shading
- Includes fishing regulations, records and ID photos

NAVIONICS®

Navionics charts offer optional high-definition layers, including 3D, Satellite Overlay, Panoramic Port Pictures, Dynamic Tides & Current, SonarChart™ Live and much more.

NAVIGATION



Navigating with Lowrance® has never been safer or easier – from revolutionary HALO® Radar, Link™-6S and Link-9 VHF Radios to the Precision™-9 compass and SmartSteer™ control of the Lowrance Outboard Pilot – you will have more control and greater situational awareness than ever.



HALO RADAR

Available with industry-leading 60 RPM operation* at close range, HALO Radar delivers the ultimate in collision avoidance. Identify hazards in an instant with VelocityTrack™ Doppler technology and enjoy simultaneous short- and long-range coverage. HALO24, HALO20+ and HALO20 Radars are compatible with HDS®LIVE and Elite FS™ displays.

*HALO24/HALO20+ only

LINK-9

The Link-9 features an integrated GPS receiver, a removable fist mic, NMEA 2000® connectivity, a built-in dual - channel AIS receiver with AIS plot functionality, dual watch, tri-watch, all-scan, more intuitive user interface, a larger LCD and a new industrial design.

LINK-6S

Communicate clearly with this dependable Class D DSC approved marine VHF radio featuring a four-button fist microphone, intuitive rotary and keypad controls and a new front-mountable mechanical design for easy installation.



PRECISION-9

The Precision-9 Compass measures motion on nine separate axes to supply the most accurate heading and rate-of-turn information possible for Lowrance autopilot, radar and navigation systems.

LOWRANCE AUTOPILOTS

Lowrance autopilot packs for HDS displays provide automatic steering for cable-steer or hydraulic steer outboard motors on or low or high-current hydraulic steering pumps, mechanical drive units, or solenoid valves for inboard motors with our NAC-2 and NAC-3 pilots via NMEA 2000® networking and NMEA 0183® input with HDS®LIVE. Steer to a heading, waypoint or along a route with integrated SmartSteer control.



POINT-1 GPS

Integrated electronic compass provides 10Hz GPS position updates plus compass heading for chart stabilization and radar overlay, plus accurate vessel heading, even at low speeds.

NETWORKING

With Lowrance® networking solutions, you can download C-MAP® Genesis® maps, map purchases and software updates directly to HDS®LIVE and Elite FS™ displays. View/control your HDS or Elite FS display on a smartphone/tablet, stream music, monitor the weather and more.



POWER POLE® CONNECTIVITY

Enjoy independent or simultaneous control of multiple Power-Pole Shallow Water Anchors and make manual or automatic adjustments directly from your touchscreen of HDS LIVE and Elite FS displays.

SONICHUB®2 MARINE AUDIO SERVER

The ultimate marine audio entertainment system, the Lowrance® SonicHub®2 features integrated Bluetooth®, allowing you to stream music including Pandora® (where available) from a smartphone or tablet. The system supports AM/FM radio, playback from a USB drive or iPod and supports SiriusXM® radio (US only).



NMEA 2000®

Lowrance NMEA 2000® network devices will share and/or display user-selectable data with displays and instruments installed on a NMEA 2000 network.



WM-4 SIRIUSXM® MARINE AUDIO & WEATHER

The new, compact WM-4 SiriusXM® Marine Audio and Weather module brings the power of an entire weather bureau to your Lowrance HDS display with weather radar, forecasts, weather warnings, roadside fuel prices and new Fish Mapping, plus up to 220 expanded audio channels.



LOWRANCE® PART NUMBERS



HDS LIVE	HDS LIVE 16	C-MAP DISCOVER OnBoard Mapping with Active Imaging 3-in-1	000-14434-001	
	HDS LIVE 16	C-MAP DISCOVER OnBoard Mapping, No Transducer	000-14433-001	
	HDS LIVE 12	C-MAP DISCOVER OnBoard Mapping with Active Imaging 3-in-1	000-14428-001	
	HDS LIVE 12	C-MAP DISCOVER OnBoard Mapping, No Transducer	000-14427-001	
	HDS LIVE 9	C-MAP DISCOVER OnBoard Mapping with Active Imaging 3-in-1	000-14422-001	
	HDS LIVE 9	C-MAP DISCOVER OnBoard Mapping, No Transducer	000-14421-001	
	HDS LIVE 7	C-MAP DISCOVER OnBoard Mapping with Active Imaging 3-in-1	000-14416-001	
	HDS LIVE 7	C-MAP DISCOVER OnBoard Mapping, No Transducer	000-14415-001	
	LR-1 Remote	LR-1 Remote Control for HDS LIVE Displays	000-14505-001	
ELITE FS	Elite FS 9	C-MAP DISCOVER OnBoard Mapping with ActiveTarget Live Sonar	000-15774-001	
	Elite FS 9	C-MAP DISCOVER OnBoard Mapping with Active Imaging 3-in-1	000-15692-001	
	Elite FS 9	C-MAP DISCOVER OnBoard Mapping, No Transducer	000-15707-001	
	Elite FS 7	C-MAP DISCOVER OnBoard Mapping with Active Imaging 3-in-1	000-15688-001	
	Elite FS 7	C-MAP DISCOVER OnBoard Mapping with HDI Transducer	000-15696-001	
	Elite FS 7	C-MAP DISCOVER OnBoard Mapping, No Transducer	000-15703-001	
HOOK REVEAL	TRIPLESHOT	HOOK REVEAL 9 TripleShot	C-MAP US Inland Mapping with High CHIRP/SideScan/DownScan	000-15526-001
		HOOK REVEAL 9 TripleShot	C-MAP DISCOVER OnBoard chart with High CHIRP/SideScan/DownScan	000-15535-001
		HOOK REVEAL 7 TripleShot	C-MAP US Inland Mapping with High CHIRP/SideScan/DownScan	000-15513-001
		HOOK REVEAL 7 TripleShot	C-MAP DISCOVER OnBoard chart with High CHIRP/SideScan/DownScan	000-15524-001
		HOOK REVEAL 7x GPS TripleShot	GPS Plotter with High CHIRP/SideScan/DownScan	000-15515-001
		HOOK REVEAL 5 TripleShot	C-MAP US Inland Mapping with High CHIRP/SideScan/DownScan	000-15501-001
	HOOK REVEAL 5 TripleShot	C-MAP DISCOVER OnBoard chart with High CHIRP/SideScan/DownScan	000-15511-001	
	SPLITSHOT	HOOK REVEAL 9 Splitshot	C-MAP US Inland Mapping with High CHIRP/DownScan	000-15525-001
		HOOK REVEAL 9 Splitshot	C-MAP DISCOVER OnBoard chart with High CHIRP/DownScan	000-15534-001
		HOOK REVEAL 7 SplitShot	C-MAP US Inland Mapping with High CHIRP/DownScan	000-15512-001
		HOOK REVEAL 7 SplitShot	C-MAP DISCOVER OnBoard chart with High CHIRP/DownScan	000-15523-001
		HOOK REVEAL 7x GPS SplitShot	GPS Plotter with 200 kHz/DownScan	000-15514-001
		HOOK REVEAL 5 SplitShot	C-MAP US Inland Mapping with High CHIRP/DownScan	000-15500-001
		HOOK REVEAL 5 SplitShot	C-MAP DISCOVER OnBoard chart with High CHIRP/DownScan	000-15510-001
		HOOK REVEAL 5x GPS SplitShot	GPS Plotter with 200 kHz/DownScan	000-15503-001
	BULLET	HOOK ² 4x GPS Bullet	GPS Plotter with 200 kHz	000-14014-001
		HOOK ² 4x Bullet	200 kHz	000-14012-001

WEATHER & AUDIO

WM-4	WM-3 SiriusXM Marine Weather Module	000-14970-001
SonicHub2	SonicHub2 Marine Audio Server + Lowrance speakers	000-12301-001
SonicHub2 Module	SonicHub2 Marine Audio Server - Module Only	000-12302-001
Speaker Pack	Lowrance 6.5" Marine Speakers	000-12304-001

ICE MACHINES

Elite FS 7 All-Season Pack	C-MAP DISCOVER OnBoard with HDI Skimmer, Ice Transducers	000-15885-001
HDS LIVE/Elite FS/HOOK 7/5 Portable Pack	Portable Power Pack with Ice Transducer	000-15111-001
HOOK Reveal 7 All-Season Pack	US Inland with SplitShot Skimmer and Ice Transducers	000-15877-001
HOOK ² 4x GPS All-Season Pack	GPS Plotter with 200 kHz Transducer	000-14179-001
HOOK ² 4x All-Season Pack	200 kHz Transducer	000-14178-001
HOOK Reveal 5 All-Season Pack	US Inland with SplitShot Skimmer and Ice Transducers	000-15877-001

GHOST TROLLING MOTOR

Ghost Trolling Motor	Freshwater 47" Trolling Motor	000-14937-001
Ghost 52 Trolling Motor	Freshwater 52" Trolling Motor	000-14938-001
Ghost 60 Trolling Motor	Freshwater 60" Trolling Motor with TMR-1 Remote	000-15480-001
Ghost Trolling Motor	Active Imaging 3-in-1 Nosecone	000-14900-001

NMEA 2000 NETWORK SENSORS

Fluid Level	NMEA 2000 Fluid Level Sensor	000-11518-001
Fuel Flow	NMEA 2000 Fuel Flow Sensor	000-11517-001
Fuel Data	NMEA 2000 Fuel Data Manager	000-11522-001
Pressure Sensor	NMEA 2000 Pressure Sensor	000-11523-001
Temp Sensor	NMEA 2000 Temperature Sensor	000-11520-001
Thru-Hull Temp	NMEA 2000 Thru-Hull Temperature Sensor	000-11521-001
Speed Sensor	NMEA 2000 Paddlewheel Speed Sensor	000-11519-001

NAVIGATION

HALO24 Radar	Pulse Compression Radar	000-14541-001
HALO20+ Radar	Pulse Compression Radar	000-14542-001
HALO20 Radar	Pulse Compression Radar	000-14543-001
Precision-9 Compass	Precision-9 Solid State Compass	000-12607-001
NAIS-500	NAIS-500 System — Class B AIS with NPSL-500, GPS-500 Antenna	000-13963-001
Point-1 Antenna	POINT-1 GPS/HDG ANT MODULE LOWRANCE PK	000-11047-002
Outboard Pilot Hydraulic Pack	Lowrance Outboard Pilot Hydraulic Pack	000-11748-001
Outboard Pilot Cablesteer Pack	Lowrance Outboard Pilot Cablesteer Pack	000-11749-001
NAC2 Autopilot	Lowrance NAC-2 Autopilot Computer	000-13249-001
NAC3 Autopilot	Lowrance NAC-3 Autopilot Computer	000-13250-001

LOWRANCE® PART NUMBERS



MAPPING

C-MAP DISCOVER	North America	M-NA-Y200-MS
C-MAP Reveal Lakes	US Lakes West	M-NA-Y211-MS
C-MAP Reveal Lakes	US Lakes North Central	M-NA-Y212-MS
C-MAP Reveal Lakes	US Lakes North East	M-NA-Y213-MS
C-MAP Reveal Lakes	US Lakes South East	M-NA-Y214-MS
C-MAP Reveal Lakes	US Lakes South Central	M-NA-Y215-MS
C-MAP Reveal Lakes	Canada Lakes	M-NA-Y216-MS
To see the full lineup of optional C-MAP charts	visit www.c-map.com	

COMMUNICATION

Link-9 VHF	Link-9 Class D DSC VHF Radio	000-14472-001
Link-6S VHF	Link-6S Class D DSC VHF Radio	000-14493-001
Link-2 VHF	Link-2 DSC VHF HandHeld Radio	000-10782-001

TRANSDUCERS - TRANSOM MOUNT

Transducer	Tilt	Frequency	Compatible Units	Connector	Part Number
Active Imaging 3-in-1	—	Med/High/CHIRP/SideScan/DownScan	HDS LIVE, HDS Carbon, Elite FS, Elite Ti ²	9-Pin	000-14489-001
Active Imaging 3-in-1 (6-foot cable)	—	Med/High/CHIRP/SideScan/DownScan	HDS LIVE, HDS Carbon, Elite FS, Elite Ti ²	9-Pin	000-14814-001
Active Imaging 2-in-1	—	SideScan/DownScan	HDS LIVE, HDS Carbon, Elite FS, Elite Ti ²	9-Pin	000-14490-001
ActiveTarget	—	ActiveTarget with Module	HDS LIVE, HDS Carbon, Elite FS	9-Pin	000-15593-001
High Speed Skimmer	—	Med/High CHIRP	HDS LIVE, HDS Carbon, Elite FS, Elite Ti ² , HOOK ² Reveal 9/7/5*, HOOK ² 12/7/5*	9-Pin	000-14884-001
High Speed Skimmer	—	Low/High CHIRP	HDS LIVE, HDS Carbon, Elite FS, Elite Ti ² , HOOK ² Reveal 9/7/5*, HOOK ² 12/7/5*	9-Pin	000-14885-001
HDI Skimmer (Lowrance Blue)	—	Med/High CHIRP/DownScan	HDS LIVE, HDS Carbon, Elite FS, Elite Ti ² , HOOK ² Reveal 9/7/5*, HOOK ² 12/7/5*	9-Pin xSonic	000-12570-001
HDI Skimmer	—	Low/High CHIRP/DownScan	HDS LIVE, HDS Carbon, Elite FS, Elite Ti ² , HOOK ² Reveal 9/7/5*, HOOK ² 12/7/5*	9-Pin xSonic	000-12569-001
Bullet Skimmer	—	200 kHz	HOOK ² 4x Bullet	6-Pin	000-14027-001
SplitShot	—	High CHIRP/DownScan	HOOK ² SplitShot Displays	8-Pin	000-14028-001
TripleShot	—	High CHIRP/SideScan/DownScan	HOOK ² TripleShot Displays	8-Pin	000-14029-001

*Requires Adaptor Cable

MOUNTING ACCESSORIES

Kayak Kit	Portable Kayak Kit	000-12292-001
-----------	--------------------	---------------

TRANSDUCERS - THRU HULL

Transducer	Tilt	Frequency	Compatible Units	Connector	Part Number
StructureScan 3D (Stainless steel, single)	—	3D/SideScan/DownScan	HDS LIVE, HDS Carbon	Dual 12-Pin	000-13559-001
StructureScan 3D (Stainless steel, pair)	—	3D/SideScan/DownScan	HDS LIVE, HDS Carbon	Dual 12-Pin	000-13560-001
StructureScan HD (Plastic, single)	—	SideScan/DownScan	HDS LIVE, HDS Carbon	9-Pin	000-11029-001
StructureScan HD (Stainless steel, single)	—	SideScan/DownScan	HDS LIVE, HDS Carbon	9-Pin	000-11459-001
StructureScan HD (Stainless steel, pair)	—	SideScan/DownScan	HDS LIVE, HDS Carbon	9-Pin	000-11460-001
StructureScan 3D (Stainless steel, single)	—	Low/High CHIRP/3D/SideScan/DownScan	HDS LIVE*, HDS Carbon	Dual 12-Pin, 7-Pin	000-14254-001
StructureScan 3D (Stainless steel, single)	—	Med/High CHIRP/3D/SideScan/DownScan	HDS LIVE*, HDS Carbon	Dual 12-Pin, 7-Pin	000-14255-001
TotalScan (Stainless steel, single)	—	Low/High CHIRP/SideScan/DownScan	HDS LIVE, HDS Carbon, Elite FS, Elite Ti ²	9-Pin	000-14259-001
TotalScan (Stainless steel, single)	—	Med/High CHIRP SideScan/DownScan	HDS LIVE, HDS Carbon, Elite FS, Elite Ti ²	9-Pin	000-14257-001
	0	Low/High CHIRP/DownScan	HDS LIVE, HDS Carbon, Elite FS, Elite Ti ²	9-Pin	000-13905-001
Bronze HDI	12	Low/High CHIRP/DownScan	HDS LIVE, HDS Carbon, Elite FS, Elite Ti ²	9-Pin	000-13906-001
	20	Low/High CHIRP/DownScan	HDS LIVE, HDS Carbon, Elite FS, Elite Ti ²	9-Pin	000-13907-001

TRANSDUCERS - TROLLING MOTOR/SHOOT-THRU HULL

Transducer	Tilt	Frequency	Compatible Units	Connector	Part Number
Pod Shoot-Thru (No Temp)	—	Med/High CHIRP	HDS LIVE, HDS Carbon, Elite FS, Elite Ti ² , HOOK Reveal 9/7/5*, HOOK ² 12/7/5*	9-Pin	000-14886-001
Pod - Trolling Motor**	—	Med/High CHIRP	HDS LIVE, HDS Carbon, Elite FS, Elite Ti ² , HOOK Reveal 9/7/5*, HOOK ² 12/7/5*	9-Pin	000-14888-001
Pod Shoot-Thru (Remote Temp)	—	Med/High CHIRP	HDS LIVE, HDS Carbon, Elite FS, Elite Ti ² , HOOK Reveal 9/7/5*, HOOK ² 12/7/5*	9-Pin	000-14887-001

*Requires Adaptor Cable

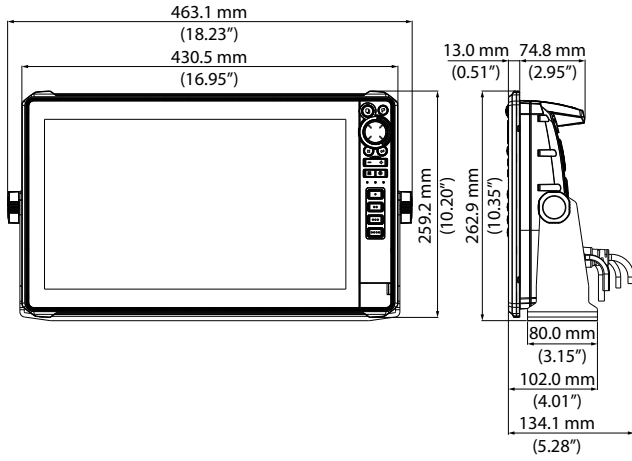
ADAPTER CABLES

7-to-9 Pin Adapter	Connects 7-Pin transducers to displays with 9-Pin connectors (HDS LIVE, HDS Carbon, Elite FS, Elite Ti ²)	000-13313-001
7-Pin HOOK ² Adapter	Connects 7-Pin transducers to HOOK ² 5/7/9/12	000-14068-001
9-Pin HOOK ² Adapter	Connect 9-Pin xSonic transducers to HOOK ² 5/7/9/12	000-14069-001
9-Pin Black to 7-Pin Blue	Connects 9-Pin transducers to displays with 7-Pin blue connectors	000-13977-001
7-Pin to HOOK ² 4x Adapter	Connects 7-Pin transducers to HOOK ² 4x displays	000-14070-001

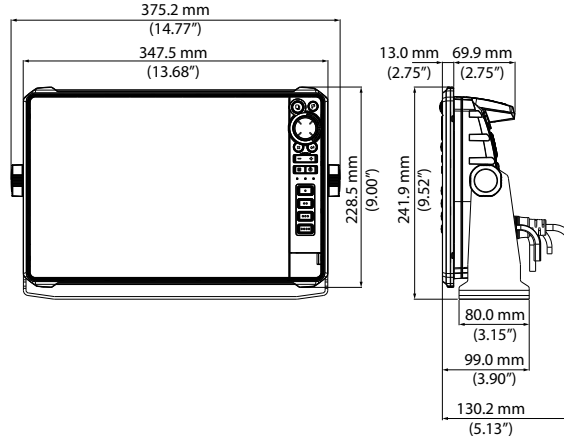
*Requires Adaptor Cable, **Trolling Motor Mount Only

HDS LIVE DIMENSIONS

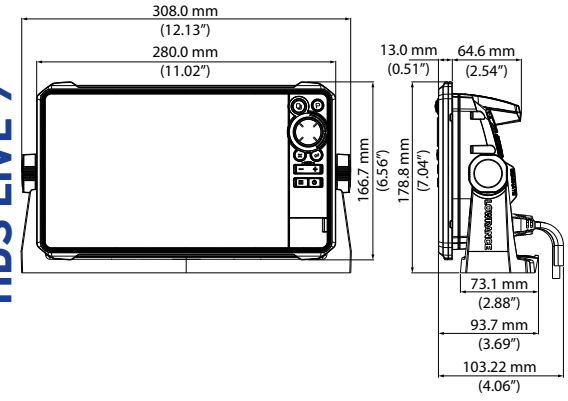
HDS LIVE 16



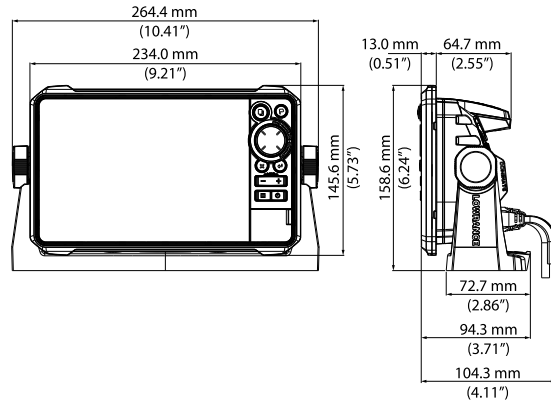
HDS LIVE 12



HDS LIVE 9

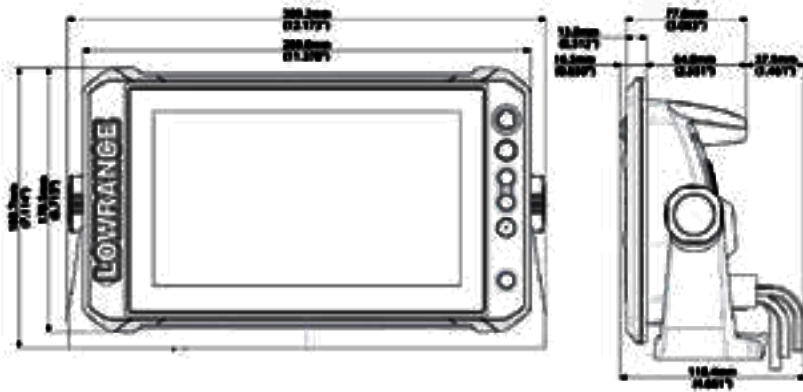


HDS LIVE 7

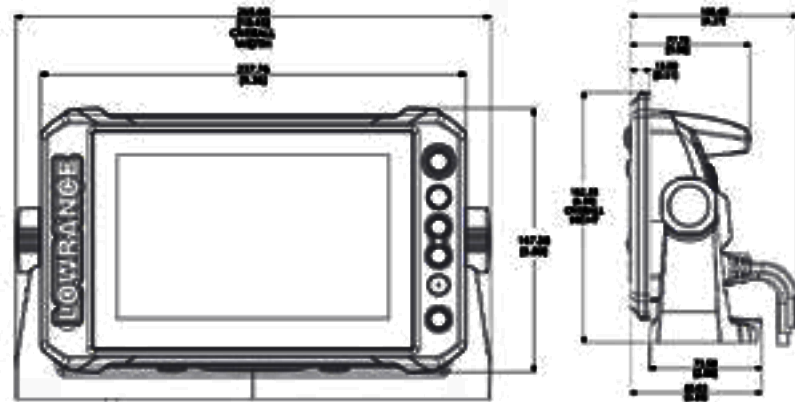


ELITE FS DIMENSIONS

ELITE-9 FS

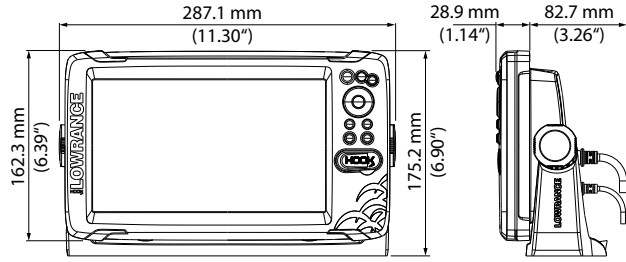


ELITE-7 FS

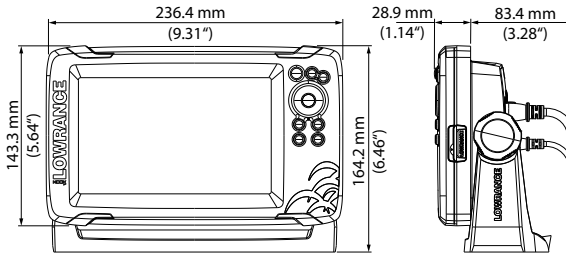


HOOK REVEAL DIMENSIONS

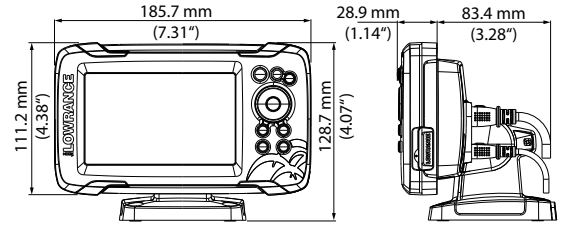
HOOK REVEAL 9



HOOK REVEAL 7

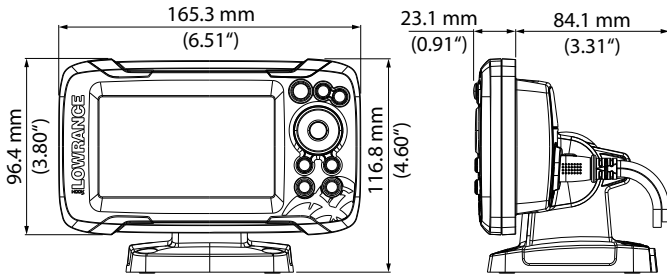


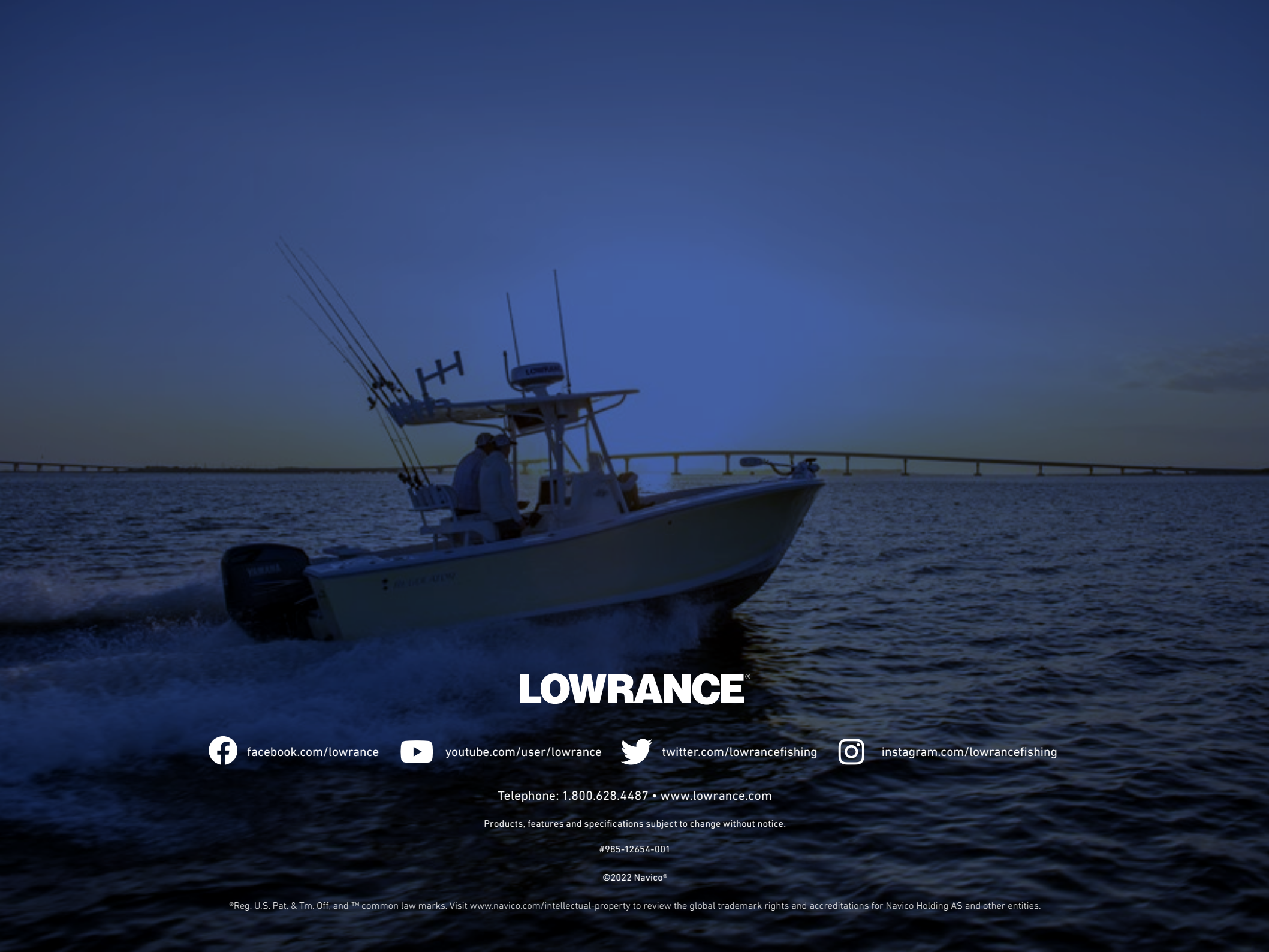
HOOK REVEAL 5




HOOK² DIMENSIONS

HOOK² 4X





LOWRANCE®

 facebook.com/lowrance

 youtube.com/user/lowrance

 twitter.com/lowrancefishing

 instagram.com/lowrancefishing

Telephone: 1.800.628.4487 • www.lowrance.com

Products, features and specifications subject to change without notice.

#985-12654-001

©2022 Navico®

*Reg. U.S. Pat. & Tm. Off. and ™ common law marks. Visit www.navico.com/intellectual-property to review the global trademark rights and accreditations for Navico Holding AS and other entities.