



2023 PRODUCT GUIDE

JANUARY 2023 | US



Raymarine®

Raymarine

WELCOME



NO MATTER WHAT'S AHEAD, WE STAND BEHIND YOU

At Raymarine, we give those who dare to set their course into the unknown the tools to navigate it with confidence. For over 80 years, we've built the most reliable marine electronics to ensure you're ready for whatever the deep dishes out.

WE MAKE TOOLS FOR THE DARING

Whether you cruise, fish, sail or make a living on the sea, discover industry-leading visual navigation and marine technology to smooth the waves on your journey. Our best-in-class products are renowned for their rugged design and reliability.

Official Marine Electronics Supplier of the United States Coast Guard

CONTENTS

The information contained in this price list, to the best of our knowledge, was correct as it went to press. However, the Raymarine policy of continuous improvement and updating may change product information and pricing without prior notice. Therefore, differences in products and prices may occur from time to time, for which liability cannot be accepted by Raymarine. Prices shown in this document are net of sales taxes.



**LIGHTHOUSE
CHARTS**

2



**LIGHTHOUSE 4
OS**

4



**CHARTPLOTTER DISPLAY
COMPARISON CHART**

6



**CHARTPLOTTER
DISPLAYS**

8



**SONAR
MODULES**

28



**RADAR
ANTENNAS**

42



AUTOPILOTS

50



INSTRUMENTATION

58



**THERMAL
CAMERAS**

64



**MARINE VIDEO
CAMERAS**

68



**AUGMENTED
REALITY**

70



**SATELLITE TV
ANTENNAS**

72



**AUTOMATIC IDENTIFICATION
SYSTEMS (AIS)**

74



**VHF RADIO
COMMUNICATIONS**

78



**YACHTSENSE AND
DOCKSENSE**

82



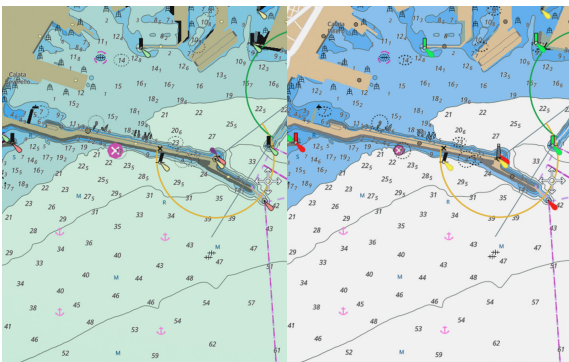
**CABLES &
ACCESSORIES**

90

LIGHTHOUSE CHARTS

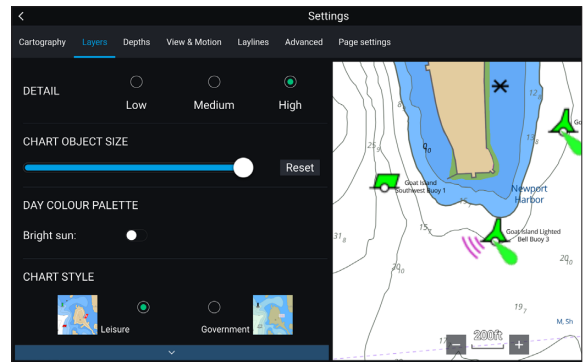


LightHouse Charts bring a new level of clarity to marine navigation. Created from official hydrographic chart sources, LightHouse Charts offer maximum readability, intuitive navigation, and superior quality. Four distinct color palettes provide the best possible viewing conditions around the clock and chart symbol controls give you the power to customize the charts to your personal preference. Subscribe to LightHouse Charts Premium to access continuous chart updates, an expanded points of interest (POI) library, and enhanced satellite imagery for a powerful, sophisticated take on marine navigation.



PROFESSIONAL OR LEISURE CHART STYLE

Toggle between the information-rich professional S-52 government chart style (left) and the LightHouse leisure chart style (right) for your preferred view of key cartographic data.



ENHANCED CHART SYMBOL CONTROL

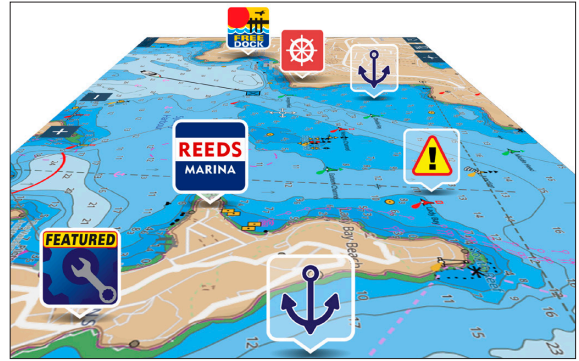
Change the size of channel markers, points of interest, and other icons for complete control over chart details.

LIGHTHOUSE CHARTS



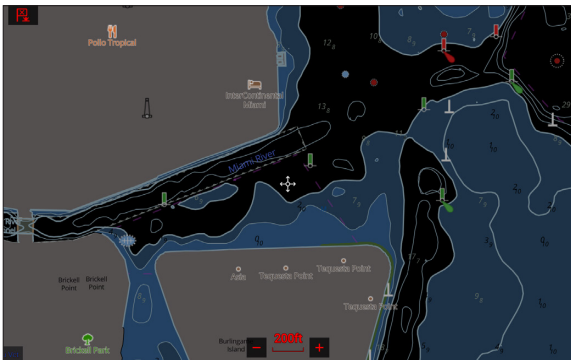
NAVIGATE WITH A REAL-WORLD VIEW

Access Mapbox-powered high-resolution satellite imagery for a complete view of streets, shorelines, and shallows for informed decision making.



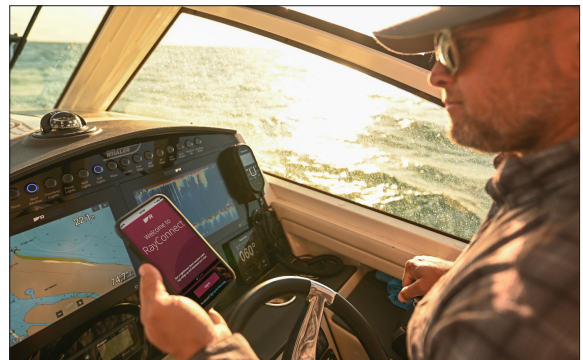
EXPANSIVE POINTS OF INTEREST LIBRARY

Quickly find local marinas, fuel stops, service stations, and more with an ever-expanding points of interest library from the best marine databases.



FLEXIBLE COLOR MODES

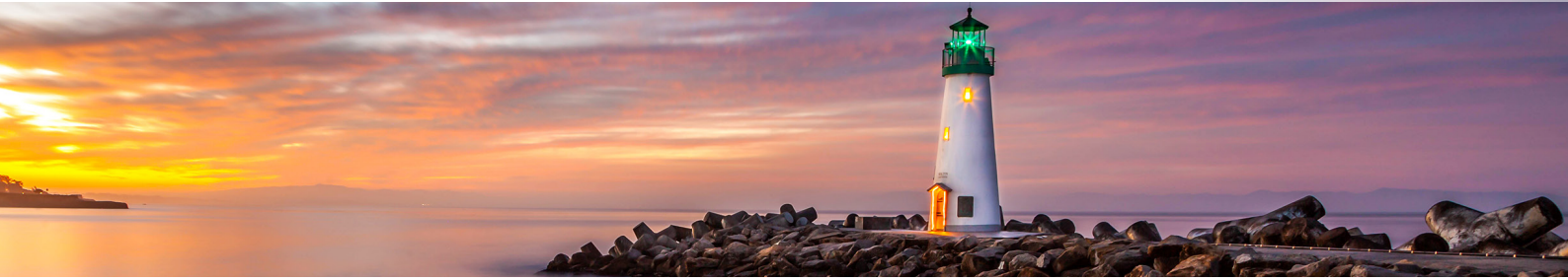
Day, Dusk, Dark, and Bright Sun color palettes help your vision keep up with changing light conditions for clear, strain-free chart viewing.



STAY UP TO DATE AND EXPLORE MORE

The Raymarine mobile app and a LightHouse Premium subscription allow you to update your charts and download premium content using your mobile phone.

LIGHTHOUSE 4



The easy-to-use operating system inside every Raymarine chartplotter display, LightHouse™ puts you in command with a fluid touchscreen or HybridTouch™ user experience. LightHouse lets you navigate with the best charts and makes navigating as simple as using a smartphone.



You Are In Command

LightHouse 4 is fast, fluid, and easy to learn. The uncluttered interface is easily personalized for your style of navigating. Get underway with smartphone-like touchscreen experience or take command with HybridTouch keypad and touchscreen control combined.

Simplified Networking

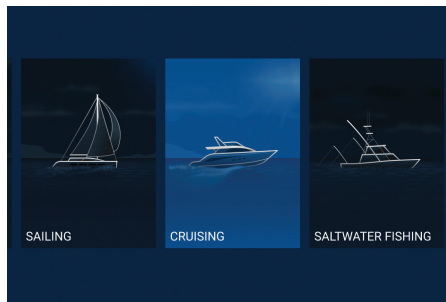
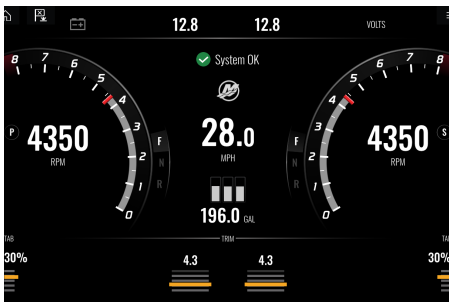
Axiom+, Axiom 2 Pro and Axiom 2 XL all run the LightHouse 4 operating system, allowing you to create navigation systems with any Axiom display combination. Connect up to 10 Axiom displays.

Expandable

Expand any LightHouse 4 OS based display with powerful sensors, including Quantum radar, CHIRP sonar modules, and FLIR thermal night vision cameras. SeaTalk^{NG} and NMEA 2000 connectivity enable engines displays, instruments, and Evolution autopilot integration. Standard Wi-Fi and Bluetooth allows connection to Raymarine apps, accessories and more.

LIGHTHOUSE 4

The LightHouse 4 operating system powers Axiom+, Axiom 2 Pro and Axiom 2 XL chartplotters displays. Previous generation Raymarine eS Series and gS Series can upgrade to LightHouse 3.11 for free. Some advanced LightHouse 4 features like ClearCruise AR, Axiom UAV, and LightHouse Apps are exclusive to Axiom multifunction displays. Visit raymarine.com/lighthouse to learn more and stay abreast of the latest LightHouse 4 feature updates.



Advanced Engine Integration

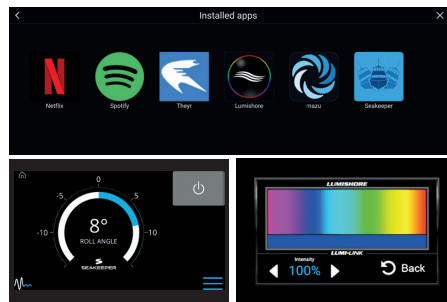
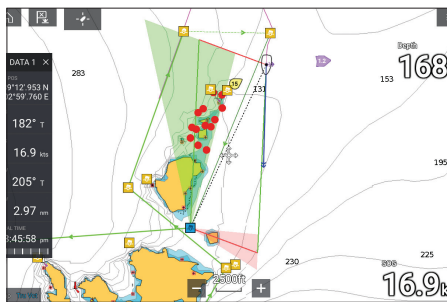
The LightHouse operating system is your gateway to engine integration. Create custom dashboards using NMEA2000 or enjoy advanced integration with Mercury VesselView and Yamaha Command Links outboard engines.

Personalization

The LightHouse 4 home screen offers bold and simple app icons. Customize the home screen with your favorite apps. LightHouse 4 User Profiles saves yours and other crew member's personal home screens and configuration preferences.

Modern Vessel Automation

The LightHouse OS puts you in total command of the vessel's electrical systems with support for CZone, Empirbus, and Raymarine YachtSense digital control systems. Experience simple touch screen control of lighting, pumps, HVAC systems and more from anywhere onboard.



Performance Sailing Tools

Stay ahead of the competition with Lighthouse 4's performance sailing tools including Dynamic Layline overlays, which can be optimized with your vessel's polar performance targets. The LightHouse Dashboard app offers Race Data and Sailing specific graphical displays in a big, bold, and simple to understand format. A slide-out Race Start Sidebar gives you quick access to critical race stats.

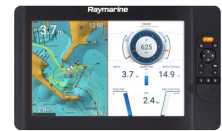
LightHouse Apps

LightHouse Apps is Axiom's expanding library of marine and entertainment apps. Enjoy entertainment apps like Netflix and Spotify or network with onboard systems like Lumishore, Victron, and Seakeeper. LightHouse Apps also keep you connected and informed with support for Mazu satellite, Predict Wind, and Their weather.

LightHouse OS Updates

Visit raymarine.com to learn about the latest LightHouse 4 new features and upgrades.

CHARTPLOTTER DISPLAYS



OPTIONS	ELEMENT
Display Sizes (inches)	7 / 9 / 12
Brightness	1500 nits
HydroTough nano coated display	
Touchscreen	
HybridTouch: Keypad and Touchscreen	
Data Card Port	MicroSD
Waterproofing Standard	IPX6/7
Built-In GPS Receiver	●
RealVision 3D	Element HV Only
CHIRP DownVision	Element HV Only
CHIRP SideVision	Element HV Only
High Frequency CHIRP	Element HV and Element S
600 Watt Sonar	
RealVision MAX and 1 kW CHIRP Sonar	
HyperVision	Element HV Only
OS	LightHouse Sport
RayNet Ethernet	
USB	
Wi-Fi and Bluetooth	Wi-Fi
NMEA0183	
NMEA2000	●
SeaTalkNG	Via Adaptor
Mounting	Bracket / Surface
Quantum and Cyclone Radar	Quantum Wi-Fi Only
Digital Switching	
FLIR thermal Camera Integration	
Evolution Autopilot Control	
IP Video Camera and ClearCruise Augmented Reality Option	
Support for external CHIRP Sonar Modules	
Marine Audio Integration	
Navionics Autorouting	●
Navionics Sonar Chart Live	●
Raymarine Realbathy™	●

CHARTPLOTTER DISPLAYS

The following table provides a quick comparison guide for the Raymarine range of chartplotters displays. For more information, contact the local Raymarine dealer or visit our website raymarine.com



AXIOM+	AXIOM 2 PRO	AXIOM 2 XL
7 / 9 / 12	9 / 12 / 16	16 / 19 / 22 / 24
1500 and 1800 nit*	1200 and 1300 nits*	1200, 1275 and 1300 nits*
●	●	●
●	●	●
	●	
MicroSD	MicroSD (x2)	SD Card Reader Required
IPX6/7	IPX6/7	IPX6/7
●	●	●
RV	RVM	Optional RealVision MAX and CHIRP Sonar Modules
RV	RVM	
RV	RVM	
RV	RVM	
RV	RVM	
	RVM	
LightHouse 4	LightHouse 4	LightHouse 4
●	●	●
●	●	●
●	●	●
Support for NMEA 0183 through an optional NMEA2000/SeaTalkNG Gateway		
●	●	●
●	●	●
Top, Flush, Front, Bracket	Top, Front, Bracket	Flush / Surface
●	●	●
●	●	●
●	●	●
●	●	●
●	●	●
●	●	●
●	●	●
●	●	●
●	●	●
●	●	●
●	●	●

* Brightness is model dependent

ELEMENT® S



SAILING



CRUISING

The Element S series of navigation displays gives you the freedom to enjoy the open waters—Select your destination and let Element’s fast and accurate 10Hz GPS/GNSS lead the way. Engineered for simplicity and affordable performance, Element S will quickly become your trusted cruising companion. A quad-core processor offers responsive performance and Element’s all-weather, sunlight viewable displays deliver chart and navigation data in beautiful color. Element’s simple and straightforward LightHouse Sport operating system lets you navigate with confidence. Once underway, Element S will keep you on course with a smart list of user-friendly features, such as AIS target overlays, autopilot integration, and sailing instruments displays. Element S is also compatible with Quantum Wireless Radar.



Quantum CHIRP Radar

Element S helps to navigate congested waterways with increased awareness and confidence using an optional Raymarine Quantum wireless CHIRP radar* or an AIS receiver. Quantum brings award-winning solid-state radar capability and Element S’s AIS overlays intelligently identify approaching targets.



Simple and Straight Forward

Element’s LightHouse Sport OS is designed for boaters that like to keep things simple. The LightHouse Sport OS and Element’s ergonomic keypad are easy to customize, and an oversized waypoint key allows for quick marking of your favorite locations, plus three user-programmable quick keys provide access to your favorite pages with one button push.



Superior Performance

Enjoy legendary Raymarine performance at an affordable price with 7, 9, and 12 inch super-bright displays for all weather conditions. Element features a fast quad-core processor, for quick chart redraw and responsive performance coupled with a precision 10hz GPS/GNSS sensor. Element is backed by Raymarine’s three-year warranty (product registration required).

*Element is only compatible with Quantum Wi-Fi only radar models.

ELEMENT® S

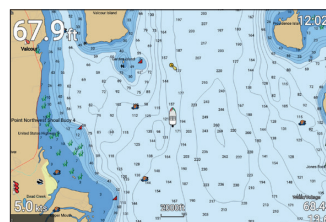
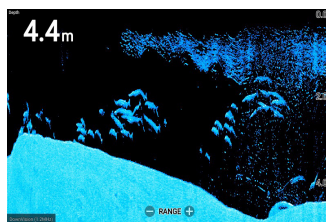
PART NO.	DESCRIPTION	MSRP
ELEMENT - S		
ELEMENT 7 S		
E70531	Element 7 S - 7" Chart Plotter with Wi-Fi & GPS, No Chart, No Transducer	\$499.99
E70531-00-102	Element 7 S - 7" Chart Plotter with Wi-Fi & GPS, US and LightHouse North America Chart , No Transducer	\$549.99
E70531-00-NAG	Element 7 S - 7" Chart Plotter with Wi-Fi & GPS, Navionics+ U.S. and Coastal Canada Chart, No Transducer	\$679.99
E70531-00-MCB	Element 7 S - 7" Chart Plotter with Wi-Fi & GPS, Navionics Blank Chart for Region Download, No Transducer	\$679.99
ELEMENT 9 S		
E70533	Element 9 S - 9" Chart Plotter with Wi-Fi & GPS, No Chart, No Transducer	\$699.99
E70533-00-102	Element 9 S - 9" Chart Plotter with Wi-Fi & GPS, LightHouse North America Chart, No Transducer	\$749.99
E70533-00-NAG	Element 9 S - 9" Chart Plotter with Wi-Fi & GPS, Navionics+ U.S. and Coastal Canada Chart, No Transducer	\$879.99
E70533-00-MCB	Element 9 S - 9" Chart Plotter with Wi-Fi & GPS, Navionics Blank Chart for Region Download, No Transducer	\$879.99
ELEMENT 12 S		
E70535	Element 12 S - 12" Chart Plotter with Wi-Fi & GPS, No Chart, No Transducer	\$1,449.99
E70535-00-102	Element 12 S -12" Chart Plotter with Wi-Fi & GPS, LightHouse North America Chart, No Transducer	\$1,499.99
E70535-00-NAG	Element 12 S -12" Chart Plotter with Wi-Fi & GPS, Navionics+ U.S. and Coastal Canada Chart, No Transducer	\$1,679.99
E70535-00-MCB	Element 12 S -12" Chart Plotter with Wi-Fi & GPS, Navionics Blank Chart for Region Download, No Transducer	\$1,679.99
ELEMENT S TRANSDUCERS		
E70342	CPT-S Transom	\$74.99
A80691	CPT-S In-Hull Transducer	\$179.99
E70339	CPT-S Plastic Thru-Hull 0° Angled Element	\$179.99
A80448	CPT-S Plastic Thru-Hull 12° Angled Element	\$179.99
A80447	CPT-S Plastic Thru-Hull 20° Angled Element	\$179.99
A80446	CPT-S Bronze Thru-Hull 0° Angled Element	\$289.99
E70340	CPT-S Bronze Thru-Hull 12° Angled Element	\$299.99
E70341	CPT-S Bronze Thru-Hull 20° Angled Element	\$299.99
A80363	CPT-S Trolling Motor Mounting Kit	\$39.99
R70496	CPT-S Transom Bracket with Hardware	\$24.99
A80273	Transducer Extension for CPT-S, CPT100, CPT110 & CPT120 (4m Cable)	\$34.99

ELEMENT® HV



FRESHWATER FISHING AND COASTAL FISHING

Built for anglers that want to be one step ahead of the game, Element delivers the sharpest view of the underwater world with HyperVision™ 1.2 megahertz super high-resolution sonar. HyperVision takes DownVision, SideVision, and Raymarine RealVision 3D sonar to the next level of precision imaging and fish identification, letting you see structures, vegetation, and fish with lifelike clarity.



Simple, Fast Operation

Element's LightHouse Sport operating system with intuitive keypad control lets you quickly mark fishing spots and access your favorite pages with the press of a button. Quad-core performance delivers instant chart redraw, smooth 3D imaging, and fast response while on the water.

All-in-One Transducer

The compact HV-100.02 transducer is simple to install and supports RealVision 3D, DownVision, SideVision, high-frequency CHIRP and 1.2 MHz HyperVision. A high precision water temperature sensor is standard, and the HV-100.02 is convertible for transom or trolling motor mounting. Through-hull versions are also available.

See More with Precision Sonar

Element's 1.2 megahertz HyperVision™ takes sonar to a new level of precision. DownVision, SideVision, or stunning RealVision 3D, Element's HyperVision™ mode lets you view structure and target fish with lifelike clarity, helping you to see and catch what other anglers can't.

All the Best Maps

Element's powerful chartplotter supports Raymarine LightHouse Charts, Navionics, C-MAP, Standard Mapping, CMOR Mapping, and many other publishers. Make custom bathymetric maps on the fly using Raymarine's new RealBathy™ or Navionics SonarChart Live.

ELEMENT® HV

PART NO.	DESCRIPTION	MSRP
ELEMENT - HV		
ELEMENT 7 HYPERVISION		
E70532	Element 7 HV- 7" Chart Plotter with CHIRP Sonar, HyperVision, Wi-Fi & GPS, No Chart, No Transducer	\$599.99
E70532-00-102	Element 7 HV - 7" Chart Plotter with CHIRP Sonar, HyperVision, Wi-Fi & GPS, LightHouse North America Chart, No Transducer	\$649.99
E70532-00-NAG	Element 7 HV - 7" Chart Plotter with CHIRP Sonar, HyperVision, Wi-Fi & GPS, Navionics+ U.S. and Coastal Canada Chart, No Transducer	\$779.99
E70532-00-MCB	Element 7 HV - 7" Chart Plotter with CHIRP Sonar, HyperVision, Wi-Fi & GPS, Navionics Blank Chart for Region Download, No Transducer	\$779.99
E70532-05-102	Element 7 HV - 7" Chart Plotter with CHIRP Sonar, HyperVision, Wi-Fi, GPS, HV-100 transducer, LightHouse North America Chart	\$749.99
E70532-05-NAG	Element 7 HV - 7" Chart Plotter with CHIRP Sonar, HyperVision, Wi-Fi, GPS, HV-100 transducer, Navionics+ U.S. and Coastal Canada Chart	\$879.99
E70532-05-MCB	Element 7 HV - 7" Chart Plotter with CHIRP Sonar, HyperVision, Wi-Fi & GPS, HV-100 transducer, Navionics Blank Chart for Region Download	\$879.99
ELEMENT 9 HYPERVISION		
E70534	Element 9 HV - 9" Chart Plotter with CHIRP Sonar, HyperVision, Wi-Fi & GPS, No Chart, No Transducer	\$849.99
E70534-00-102	Element 9 HV - 9" Chart Plotter with CHIRP Sonar, HyperVision, Wi-Fi & GPS, LightHouse North America Chart, No Transducer	\$899.99
E70534-00-NAG	Element 9 HV - 9" Chart Plotter with CHIRP Sonar, HyperVision, Wi-Fi & GPS, Navionics+ U.S. and Coastal Canada Chart, No Transducer	\$1,029.99
E70534-00-MCB	Element 9 HV - 9" Chart Plotter with CHIRP Sonar, HyperVision, Wi-Fi & GPS, Navionics Blank Chart for Region Download, No Transducer	\$1,029.99
E70534-05	Element 9 HV - 9" Chart Plotter with CHIRP Sonar, HyperVision, Wi-Fi, GPS, HV-100 transducer, No Chart	\$949.99
E70534-05-102	Element 9 HV - 9" Chart Plotter with CHIRP Sonar, HyperVision, Wi-Fi, GPS, HV-100 transducer, LightHouse North America Chart	\$999.99
E70534-05-NAG	Element 9 HV - 9" Chart Plotter with CHIRP Sonar, HyperVision, Wi-Fi, GPS, HV-100 transducer, Navionics+ U.S. and Coastal Canada Chart	\$1,129.99
E70534-05-MCB	Element 9 HV - 9" Chart Plotter with CHIRP Sonar, HyperVision, Wi-Fi & GPS, HV-100 transducer, Navionics Blank Chart for Region Download	\$1,129.99
ELEMENT 12 HYPERVISION		
E70536	Element 12 HV - 12" Chart Plotter with CHIRP Sonar, HyperVision, Wi-Fi & GPS, No Chart & No Transducer	\$1,649.99
E70536-00-102	Element 12 HV -12" Chart Plotter with CHIRP Sonar, HyperVision, Wi-Fi & GPS, LightHouse North America Chart, No Transducer	\$1,699.99
E70536-00-NAG	Element 12 HV -12" Chart Plotter with CHIRP Sonar, HyperVision, Wi-Fi & GPS, Navionics+ U.S. and Coastal Canada Chart, No Transducer	\$1,879.99
E70536-00-MCB	Element 12 HV -12" Chart Plotter with CHIRP Sonar, HyperVision, Wi-Fi & GPS, Navionics Blank Chart for Region Download, No Transducer	\$1,879.99
E70536-05-102	Element 12 HV -12" Chart Plotter with CHIRP Sonar, HyperVision, Wi-Fi, GPS, HV-100 transducer, LightHouse North America Chart	\$1,799.99
E70536-05-NAG	Element 12 HV -12" Chart Plotter with CHIRP Sonar, HyperVision, Wi-Fi, GPS, HV-100 transducer, Navionics+ U.S. and Coastal Canada Chart	\$1,979.99
E70536-05-MCB	Element 12 HV -12" Chart Plotter with CHIRP Sonar, HyperVision, Wi-Fi, GPS, HV-100 transducer, Navionics Blank Chart for Region Download	\$1,979.99
ELEMENT HYPERVISION - TRANSDUCERS		
A80603	HV-100 HyperVision Transom Transducer (200/350/1,200kHz) 6M	\$279.99
A80604	HV-300TH HyperVision Thru-Hull Transducer Plastic (200/350/1,200kHz) 6M	\$419.99
T70448	HV-300THP HyperVision Thru-Hull Transducer Pair Plastic (200/350/1,200kHz) 6M	\$734.99
R70725	HV-300THP-P HyperVision Thru-Hull Split Transducer PORT Plastic (200/350/1,200kHz) 2M	\$369.99
R70726	HV-300THP-S HyperVision Thru-Hull Split Transducer STARBOARD Plastic (200/350/1,200kHz) 2M	\$369.99
A80605	HyperVision Thru-Hull Split Transducer Y-Cable 0.5M	\$104.99
R70651	HV-100 Transom Transducer Bracket	\$39.99
A80562	HyperVision Transducer Extension Cable 4M	\$79.99
A80606	Adapter Cable for MotorGuide Transducer to Element HV (15-pin)	\$54.99
A80557	HV-100 Trolling Motor Mount	\$49.99
A80558	Adapter Cable for Dragonfly Green Connector (10-pin) to Element HV (15-pin)	\$79.99
A80559	Adapter Cable for CPT-S/DVS (9-pin) to Element HV (15-pin)	\$89.99
A80560	Adapter Cable for MinnKota Transducer to Element HV (15-pin)	\$49.99
R70741	HV-300 HyperVision Thru Hull Transducer Fairing Block	\$39.99

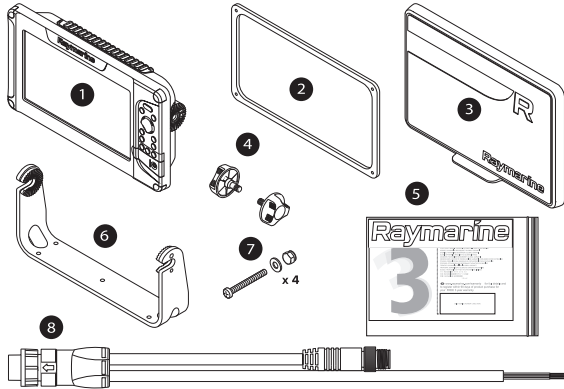
ELEMENT® HV

PART NO.	DESCRIPTION	MSRP
ELEMENT ACCESSORIES		
R70794	32Gb LightHouse North America Chart	\$149.99
R70795	32Gb micro SD card for Preformatted blank card for LightHouse Charts that includes a 2-region download voucher	\$149.99
R70838	32Gb micro SD card for Preformatted blank card for LightHouse Charts that can be purchased on the chart store or Rayconnect app.	\$14.99
A80553	Element 7" Surface Mount Kit	\$44.99
A80554	Element 9" Surface Mount Kit	\$44.99
A80555	Element 12" Surface Mount Kit	\$44.99
R70647	Element 7" Trunnion Kit	\$74.99
R70648	Element 9" Trunnion Kit	\$74.99
R70649	Element 12" Trunnion Kit	\$74.99
R70727	Element 7" Sun Cover	\$44.99
R70728	Element 9" Sun Cover	\$44.99
R70729	Element 12" Sun Cover	\$44.99
R70523	Axiom/Element Power/STng Data Cable 1.5M	\$44.99
ICE FISHING ACCESSORIES		
A80581	Element Ice Fishing Kit (Bag, Battery, Charger, Mount, Transducer & Float)	\$239.99
A80583	CPT-S Ice Transducer 2.5M w/ Float and Clips (HV Connector)	\$119.99
R70724	Element Ice Fishing Power Cable (No NMEA2000) 300MM	\$44.99
R70672	Raymarine Ice Fishing Mount	\$79.99
R70673	Raymarine Ice Fishing Float and Clips	\$24.99
R70674	Raymarine Ice Fishing Battery and Charger	\$69.99

ELEMENT®

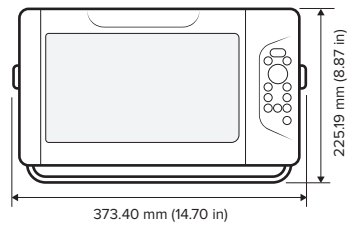
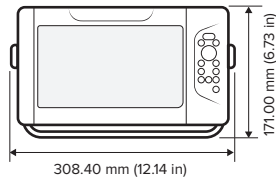
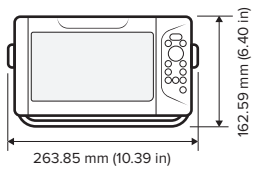


ELEMENT 7 / 9 / 12 : IN THE BOX



1. Element display
2. Surface mount gasket
3. Suncover
4. Trunnion knobs x2
5. Documentation pack
6. Trunnion bracket
7. Surface mount stainless steel fixings x4 (M4x40 machine screw, M4 flat washer, M4 locking nut)
8. Power / NMEA2000 cable (includes 1.5m (4.92ft) power lead and 0.5m (1.64ft) NMEA2000 lead).

← (mm / in.) →



AXIOM[®]+



SAILING



CRUISING



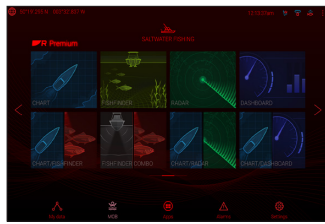
FISHING

The performance-tuned Axiom+ is a new generation of award-winning Raymarine chartplotter displays. Optimized for speed, Axiom+ is equipped with a powerful quad-core processor for industry-leading responsiveness and speed, giving you the power to seamlessly redraw charts, navigate with augmented reality, and experience RealVision 3D sonar.



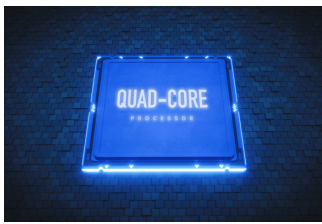
Fast and Fluid

Fluid and fast chart redraw of new Raymarine LightHouse Charts, plus Navionics and C-MAP.



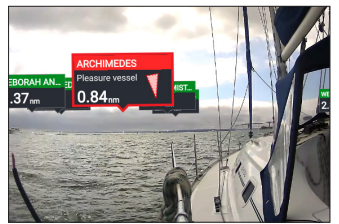
LightHouse 4 OS

Smart and intuitive LightHouse 4 OS makes navigating easy.



Quad-Core Power

Powerful quad-core processor, plus increased onboard storage for personal data and apps.



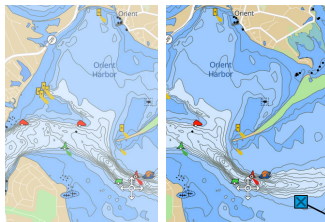
Augmented Reality

ClearCruise™ Augmented Reality-capable for smarter navigation decisions.



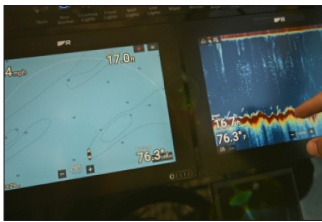
HydroTough™ Display

Nano-coated, impact-resistant glass screen repels water, oil, and smudges for better viewing and accurate touch controls.



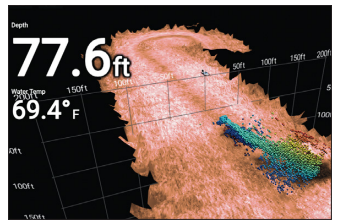
Brighter

Axiom+ 7, 9 and 12 inch all-weather displays are 25 percent brighter (up to 1,800 nits) than original Axiom models.



Sharper

IPS display technology delivers wider viewing angles and sharp contrast at twice the resolution of traditional displays.



3D Sonar Built-in

Available with built-in RealVision 3D sonar for the most comprehensive view of the underwater world.

AXIOM®+

PART NO.	DESCRIPTION	MSRP
AXIOM DV CHARTPLOTTER WITH DOWNVISION		
AXIOM 7 DOWNVISION		
E70364	AXIOM 7 DV Multifunction Display with integrated DownVision, 600W Sonar	\$649.99
E70364-00-102	AXIOM 7 DV, Multifunction 7" Display with integrated DownVision, 600W Sonar and LightHouse North America Chart	\$699.99
E70364-00-NAG	AXIOM 7 DV, Multifunction 7" Display with integrated DownVision, 600W Sonar and Navionics+ U.S. and Coastal Canada Chart	\$799.99
E70364-02-102	AXIOM 7 DV, Multifunction 7" Display with integrated DownVision, 600W Sonar including CPT-100DVS transducer and LightHouse North America Chart	\$799.99
E70364-02-NAG	AXIOM 7 DV, Multifunction 7" Display with integrated DownVision, 600W Sonar including CPT-100DVS transducer and Navionics+ U.S. and Coastal Canada Chart	\$899.99
E70364-02-MCB	AXIOM 7 DV Multifunction Display with integrated DownVision, 600W Sonar, DVS transducer and Navionics Blank Chart for Region Download	\$899.99
AXIOM RV CHARTPLOTTER WITH REALVISION 3D		
AXIOM 12 REALVISION 3D		
E70369	AXIOM 12 RV Multifunction Display with integrated RealVision 3D, 600W Sonar	\$2,699.99
E70369-00-102	AXIOM 12 RV Multifunction Display with integrated RealVision 3D, 600W Sonar and LightHouse North America Chart	\$2,749.99
E70369-00-NAG	AXIOM 12 RV Multifunction Display with integrated RealVision 3D, 600W Sonar and Navionics+ U.S. and Coastal Canada Chart	\$2,899.99
E70369-00-MCB	AXIOM 12 RV Multifunction Display with integrated RealVision 3D, 600W Sonar and Navionics Blank Chart for Region Download	\$2,899.99
AXIOM+ CHARTPLOTTER ONLY		
AXIOM+ 7" CHARTPLOTTER		
E70634	AXIOM+ 7, Multifunction 7" Display	\$799.99
E70634-00-102	AXIOM+ 7, Multifunction 7" Display with LightHouse North America Chart	\$849.99
E70634-00-NAG	AXIOM+ 7, Multifunction 7" Display with Navionics+ U.S. and Coastal Canada Chart	\$999.99
AXIOM+ 9" CHARTPLOTTER		
E70636	AXIOM+ 9, Multifunction 9" Display	\$1,199.99
E70636-00-102	AXIOM+ 9, Multifunction 9" Display with LightHouse North America Chart	\$1,249.99
E70636-00-NAG	AXIOM+ 9, Multifunction 9" Display with Navionics U.S. and Coastal Canada Chart	\$1,399.99
AXIOM+ 12" CHARTPLOTTER		
E70638	AXIOM+ 12, Multifunction 12" Display	\$2,649.99
E70638-00-102	AXIOM+ 12, Multifunction 12" Display with LightHouse North America Chart	\$2,699.99
E70638-00-NAG	AXIOM+ 12, Multifunction 12" Display with Navionics U.S. and Coastal Canada Chart	\$2,879.99
AXIOM+ RV CHARTPLOTTER WITH REALVISION 3D		
AXIOM+ 7 REALVISION 3D		
E70635	AXIOM+ 7 RV, Multifunction 7" Display with integrated RealVision 3D, 600W Sonar	\$999.99
E70635-00-102	AXIOM+ 7 RV, Multifunction 7" Display with integrated RealVision 3D, 600W Sonar, no transducer with North America LightHouse Chart	\$1,049.99
E70635-00-NAG	AXIOM+ 7 RV, Multifunction 7" Display with integrated RealVision 3D, 600W Sonar, no transducer with Navionics U.S. and Coastal Canada Chart	\$1,179.99
E70635-00-MCB	AXIOM+ 7 RV, Multifunction 7" Display with integrated RealVision 3D, 600W Sonar, no transducer with Navionics Blank Chart for Region Download	\$1,179.99
E70635-03	AXIOM+ 7 RV, Multifunction 7" Display with integrated RealVision 3D, 600W Sonar with RV-100 transducer	\$1,349.99
E70635-03-102	AXIOM+ 7 RV, Multifunction 7" Display with integrated RealVision 3D, 600W Sonar with RV-100 transducer with LightHouse North America Chart	\$1,399.99
E70635-03-NAG	AXIOM+ 7 RV, Multifunction 7" Display with integrated RealVision 3D, 600W Sonar with RV-100 transducer with Navionics U.S. and Coastal Canada Chart	\$1,529.99
E70635-03-MCB	AXIOM+ 7 RV, Multifunction 7" Display with integrated RealVision 3D, 600W Sonar with RV-100 transducer with Navionics Blank Chart for Region Download	\$1,529.99

AXIOM®+

PART NO.	DESCRIPTION	MSRP
AXIOM+ 9 REALVISION 3D		
E70637	AXIOM+ 9 RV, Multifunction 9" Display with integrated RealVision 3D, 600W Sonar	\$1,399.99
E70637-00-102	AXIOM+ 9 RV, Multifunction 9" Display with integrated RealVision 3D, 600W Sonar, no transducer with North America LightHouse Chart	\$1,449.99
E70637-00-NAG	AXIOM+ 9 RV, Multifunction 9" Display with integrated RealVision 3D, 600W Sonar, no transducer with Navionics U.S. and Coastal Canada Chart	\$1,579.99
E70637-00-MCB	AXIOM+ 9 RV, Multifunction 9" Display with integrated RealVision 3D, 600W Sonar, no transducer with Navionics Blank Chart for Region Download	\$1,579.99
E70637-03	AXIOM+ 9 RV, Multifunction 9" Display with integrated RealVision 3D,600W Sonar with RV-100 transducer	\$1,699.99
E70637-03-102	AXIOM+ 9 RV, Multifunction 9" Display with integrated RealVision 3D,600W Sonar with RV-100 transducer with LightHouse North America Chart	\$1,749.99
E70637-03-NAG	AXIOM+ 9 RV, Multifunction 9" Display with integrated RealVision 3D,600W Sonar with RV-100 transducer with Navionics U.S. and Coastal Canada Chart	\$1,879.99
E70637-03-MCB	AXIOM+ 9 RV, Multifunction 9" Display with integrated RealVision 3D,600W Sonar with RV-100 transducer with Navionics Blank Chart for Region Download	\$1,879.99
AXIOM+ 12 REALVISION 3D		
E70639	AXIOM+ 12 RV, Multifunction 12" Display with integrated RealVision 3D, 600W Sonar	\$2,949.99
E70639-00-102	AXIOM+ 12 RV, Multifunction 12" Display with integrated RealVision 3D, 600W Sonar, no transducer with LightHouse North America Chart	\$2,999.99
E70639-00-NAG	AXIOM+ 12 RV, Multifunction 12" Display with integrated RealVision 3D, 600W Sonar, no transducer with North America Navionics+ Chart	\$3,129.99
E70639-00-MCB	AXIOM+ 12 RV, Multifunction 12" Display with integrated RealVision 3D, 600W Sonar, no transducer with Navionics Blank Chart for Region Download	\$3,129.99
E70639-03	AXIOM+ 12 RV, Multifunction 12" Display with integrated RealVision 3D,600W Sonar with RV-100 transducer	\$3,249.99
E70639-03-102	AXIOM+ 12 RV, Multifunction 12" Display with integrated RealVision 3D,600W Sonar with RV-100 transducer with LightHouse North America Chart	\$3,299.99
E70639-03-NAG	AXIOM+ 12 RV, Multifunction 12" Display with integrated RealVision 3D,600W Sonar with RV-100 transducer with Navionics U.S. and Coastal Canada Chart	\$3,429.99
E70639-03-MCB	AXIOM+ 12 RV, Multifunction 12" Display with integrated RealVision 3D,600W Sonar with RV-100 transducer with Navionics Blank Chart for Region Download	\$3,429.99
AXIOM & AXIOM+ ACCESSORIES		
ACCESSORIES		
R70794	32Gb LightHouse North America Chart	\$149.99
R70795	32Gb micro SD card for Preformatted blank card for LightHouse Charts that includes a 2-region download voucher	\$149.99
A80730	Navionics+ U.S. and Coastal Canada Chart	\$209.99
A80729	Navionics+ Canada and Alaska Chart	\$159.99
A80728	Navionics+ Blank Chart for Region Downloads	\$159.99
T70293	System Remote Control Portrait & Landscape Keypad (RMK-10)	\$419.99
A80438	System Remote Control Portrait Keypad (RMK-10)	\$399.99
R70508	RMK-10 Landscape Keypad Top	\$64.99
A80440	RCR - Remote SD Card Reader and USB Socket	\$169.99
A80585	RCRI Remote Card Reader	\$129.99
A80630	Bulkhead Mount Micro USB Socket with 1m cable for DJI Drones only	\$129.99
E70310	Raystar 150 10Hz GPS/Glonass antenna (STng)	\$319.99
A80370	Pole Mount for RS150 GPS Antenna / Micro-Talk Puck	\$34.99
T70327	Raystar 150 GPS with Pole Mount	\$349.99
A80007	HS-5 Network Switch (RayNet)	\$359.99
A80731	RNS-5 - 5 Port RayNet Gigabit Switch	\$399.99
R70615	RealVision 25-pin Locking Collar Kit	\$19.99

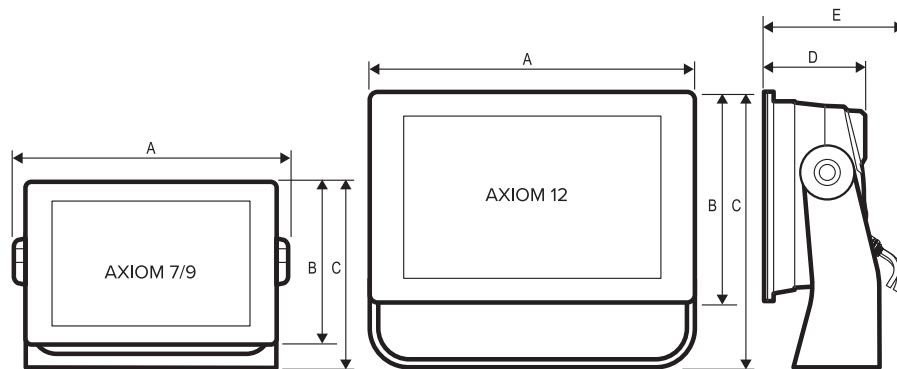
AXIOM®+

PART NO.	DESCRIPTION	MSRP
SUNCOVERS		
A80499	Suncover for AXIOM/AXIOM+ 7 when using Front Mounting Kit	\$44.99
R70527	Suncover for AXIOM/AXIOM+ 7 when Surface Mounted	\$44.99
R70525	Suncover for AXIOM/AXIOM+ 7 when Trunnion Mounted	\$44.99
A80501	Suncover for AXIOM/AXIOM+ 9 when using Front Mounting Kit	\$49.99
R70530	Suncover for AXIOM/AXIOM+ 9 when Trunnion Mounted	\$49.99
A80503	Suncover for AXIOM/AXIOM+ 12 when using Front Mounting Kit	\$64.99
R70533	Suncover for AXIOM/AXIOM+ 12 when Trunnion Mounted	\$49.99
TRUNNION MOUNTING KITS		
R70524	Metal Trunnion Mounting Kit for AXIOM/AXIOM+ 7	\$84.99
R70529	Metal Trunnion Mounting Kit for AXIOM/AXIOM+ 9	\$84.99
R70532	Metal Trunnion Mounting Kit for AXIOM/AXIOM+ 12	\$84.99
FRONT MOUNTING KITS		
A80498	Front Mounting Kit for AXIOM/AXIOM+ 7 (Includes Suncover)	\$64.99
A80500	Front Mounting Kit for AXIOM/AXIOM+ 9 (Includes Suncover)	\$74.99
A80502	Front Mounting Kit for AXIOM/AXIOM+ 12 (Includes Suncover)	\$94.99
REAR MOUNTING KITS		
R70528	Rear Mounting Kit for AXIOM/AXIOM+ 7 (Includes Rear Brackets, Bolts & Thumbnuts)	\$44.99
R70526	Rear Mounting Kit for AXIOM/AXIOM+ 7 Plastic Rear Cover	\$44.99
R70531	Rear Mounting Kit for AXIOM/AXIOM+ 9 (Included Rear Brackets, Bolts and Thumbnuts)	\$49.99
R70534	Rear Mounting Kit for AXIOM/AXIOM+ 12 (Included Rear Brackets, Bolts and Thumbnuts)	\$49.99
POWER CABLES		
R70561	AXIOM/AXIOM+ Power Cable 1.5M Right Angle and NMEA 200 Connector	\$44.99
R70523	AXIOM/AXIOM+ Power Cable 1.5M Straight and NMEA 200 Connector	\$44.99
ADAPTOR PLATES		
A80524	Installation Adaptor Plate e7/e7D to AXIOM/AXIOM+ 7	\$64.99
A80526	Installation Adaptor Plate a9X to AXIOM/AXIOM+ 9	\$64.99
A80525	Installation Adaptor Plate C70 Classic to AXIOM/AXIOM+ 9 (will require new holes)	\$64.99
A80564	Installation Adaptor Plate C80/E80 to AXIOM/AXIOM+ 9 (will require new holes)	\$64.99
A80528	Installation Adaptor Plate c12X/e12x to AXIOM/AXIOM+ 12	\$84.99
A80527	Installation Adaptor Plate a12X to AXIOM/AXIOM+ 12 (will require new holes)	\$84.99
A80529	Installation Adaptor Plate C120/E120 Classic to AXIOM/AXIOM+ 12	\$84.99

AXIOM®+

← (mm / in.) →

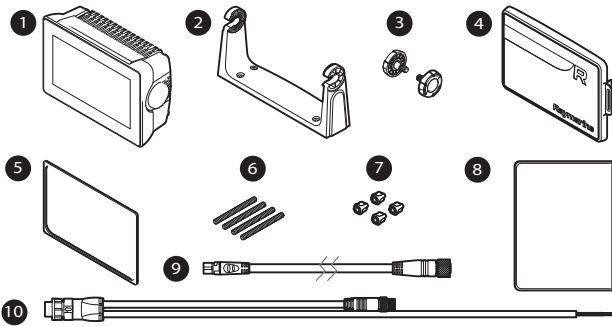
	AXIOM+ 7		AXIOM+ 9		AXIOM+ 12	
	mm	in	mm	in	mm	in
A	250.4	9.86	265.03	10.43	314	12.36
B	133	5.24	157.78	6.21	217	8.54
C	162.5	6.4	187.8	7.39	226.8	8.93
D	76.4	3.0	76.71	3.02	76.20	3.0
E	218	8.59	170	6.69	180	7.08



AXIOM®+



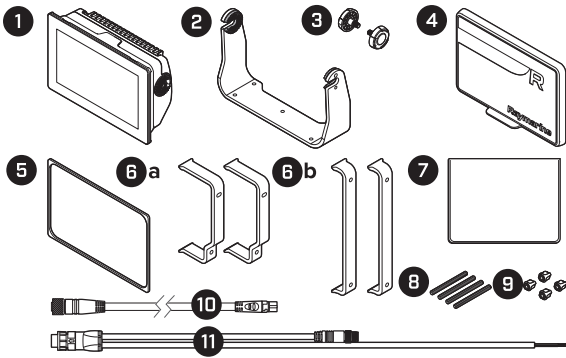
AXIOM+ 7: IN THE BOX



1. MFD (supplied with Trunnion adaptor fitted)
2. Trunnion bracket
3. Trunnion knobs x 2
4. Suncover — Trunnion mount
5. Panel mount gasket for surface/flush mounting
6. M5x58 Threaded studs x 4
7. M5 Thumb nuts x 4
8. Documentation pack
9. DeviceNet to SeaTalkng® adaptor cable 120 mm (4.7 in)
10. Power/NMEA 2000 cable (with 1.5 m (4.92 ft) power lead and 0.5 m (1.64 ft) NMEA 2000 lead).



AXIOM+ 9 / 12: IN THE BOX



1. MFD
2. Trunnion bracket
3. Trunnion knobs x 2
4. Suncover
5. Panel mount gasket for surface/flush mounting
6. Rear mounting brackets: (a) supplied with 9" MFD (b) supplied with 12" MFD
7. Documentation pack
8. M5x58 Threaded studs x 4
9. M5 Thumb nuts x 4
10. DeviceNet to SeaTalkng® adaptor cable 120 mm (4.7 in)
11. Power/NMEA 2000 cable (with 1.5 m (4.92 ft) power lead and 0.5 m (1.64 ft) NMEA 2000 lead).

AXIOM® 2 PRO



NEW



SAILING



CRUISING / WORKBOATS /
LAW ENFORCEMENT



OFFSHORE
FISHING

Our most powerful Axiom ever, Axiom 2 Pro, is upgraded with faster processors, superior displays, improved ergonomics, and the incredibly intuitive LightHouse 4 operating system. Get underway faster and confidently with Axiom 2 Pro's HybridTouch™ — a simple touchscreen experience plus reliable keypad control. Axiom 2 Pro chartplotters feature built-in wide-spectrum CHIRP sonars for fishing and navigation. Choose Axiom 2 Pro S models with a single High CHIRP sonar channel, or take your fishing to the max with Axiom 2 Pro RVM models, with 1kW CHIRP and RealVision MAX sonar technology.

More Power

Get underway faster with Axiom 2 Pro's lighting-fast 6-core processor.

HybridTouch

Plan and plot your course with fluid touchscreen control and take command with confident keypad control when seas are rough.

Customize

An interchangeable keypad gives you a choice an autopilot controls or user-programmable soft keys.

Find More Fish with RealVision MAX

RealVision MAX upgrades DownVision, SideVision, and 3D sonar with increased range, better resolution, and sharper fish targets

HydroTough Displays

Engineered to perform in extreme environments. HydroTough™ nano-coating technology repels water for reliable touchscreen control and enhances colors and sunlight visibility.

Navigate Smarter

Chartplotter, sonar, radar, autopilot, and video integrated together seamlessly with the super easy LightHouse 4 operating system.

Automatic Display Brightness

An ambient light sensor automatically adjusts display brightness for day and evening lighting conditions.

Network Like a Pro

Build a system with multiple Axiom displays and expanded video options, including HDMI output for remote displays and TVs.

AXIOM® 2 PRO

PART NO.	DESCRIPTION	MSRP
AXIOM PRO-S CHARTPLOTTER WITH CONICAL SONAR		
AXIOM 9 PRO-S		
E70481	AXIOM Pro 9 S Multifunction Display with CHIRP Conical Sonar for CPT-S	\$2,749.99
E70481-00-102	AXIOM Pro 9 S Multifunction Display with CHIRP Conical Sonar for CPT-S and LightHouse North America Chart	\$2,799.99
E70481-00-NAG	AXIOM Pro 9 S Multifunction Display with CHIRP Conical Sonar for CPT-S and Navionics U.S. and Coastal Canada Chart	\$2,999.99
E70481-00-MCB	AXIOM Pro 9 S Multifunction Display with CHIRP Conical Sonar for CPT-S and Navionics Blank Chart for Region Download	\$2,999.99
AXIOM 12 PRO-S		
E70482	AXIOM Pro 12 S Multifunction Display with CHIRP Conical Sonar for CPT-S	\$3,849.99
E70482-00-102	AXIOM Pro 12 S Multifunction Display with CHIRP Conical Sonar for CPT-S and LightHouse North America Chart	\$3,899.99
E70482-00-NAG	AXIOM Pro 12 S Multifunction Display with CHIRP Conical Sonar for CPT-S and Navionics U.S. and Coastal Canada Chart	\$4,099.99
E70482-00-MCB	AXIOM Pro 12 S Multifunction Display with CHIRP Conical Sonar for CPT-S and Navionics Blank Chart for Region Download	\$4,099.99
AXIOM 16 PRO-S		
E70483	AXIOM Pro 16 S Multifunction Display with CHIRP Conical Sonar for CPT-S	\$5,949.99
E70483-00-102	AXIOM Pro 16 S Multifunction Display with CHIRP Conical Sonar for CPT-S and LightHouse North America Chart	\$5,999.99
E70483-00-NAG	AXIOM Pro 16 S Multifunction Display with CHIRP Conical Sonar for CPT-S and Navionics U.S. and Coastal Canada Chart	\$6,199.99
E70483-00-MCB	AXIOM Pro 16 S Multifunction Display with CHIRP Conical Sonar for CPT-S and Navionics Blank Chart for Region Download	\$6,199.99
AXIOM 2 PRO-S CHARTPLOTTER WITH CONICAL SONAR		
AXIOM 2 9 PRO-S		
E70653	Axiom 2 Pro 9 S HybridTouch 9" Multifunction Display with CHIRP Conical Sonar for CPT-S	\$2,749.99
E70635-102	Axiom 2 Pro 9 S HybridTouch 9" Multifunction Display with CHIRP Conical Sonar for CPT-S and LightHouse North America Chart	\$2,799.99
AXIOM 2 12 PRO-S		
E70655	Axiom 2 Pro 12 S HybridTouch 12" Multifunction Display with CHIRP Conical Sonar for CPT-S	\$3,899.99
E70655-102	Axiom 2 Pro 12 S HybridTouch 12" Multifunction Display with CHIRP Conical Sonar for CPT-S and LightHouse North America Chart	\$3,949.99
AXIOM 2 16 PRO-S		
E70657	Axiom 2 Pro 16 S HybridTouch 16" Multifunction Display with CHIRP Conical Sonar for CPT-S	\$5,999.99
E70657-102	Axiom 2 Pro 16 S HybridTouch 16" Multifunction Display with CHIRP Conical Sonar for CPT-S and LightHouse North America Chart	\$6,049.99
AXIOM PRO-RVX CHARTPLOTTER WITH REALVISION 3D AND 1KW SONAR		
AXIOM 9 PRO-RVX		
E70371	AXIOM Pro 9 RVX Multifunction Display with RealVision 3D and 1kW CHIRP Sonar	\$3,049.99
E70371-00-102	AXIOM Pro 9 RVX Multifunction Display with RealVision 3D, 1kW CHIRP Sonar and LightHouse North America Chart	\$3,099.99
E70371-00-NAG	AXIOM Pro 9 RVX Multifunction Display with RealVision 3D, 1kW CHIRP Sonar and Navionics U.S. and Coastal Canada Chart	\$3,299.99
E70371-00-MCB	AXIOM Pro 9 RVX Multifunction Display with RealVision 3D, 1kW CHIRP Sonar and Navionics Blank Chart for Region Download	\$3,299.99
AXIOM 12 PRO-RVX		
E70372	AXIOM Pro 12 RVX Multifunction Display with RealVision 3D and 1kW CHIRP Sonar	\$4,249.99
E70372-00-102	AXIOM Pro 12 RVX Multifunction Display with RealVision 3D, 1kW CHIRP Sonar and LightHouse North America Chart	\$4,299.99
E70372-00-NAG	AXIOM Pro 12 RVX Multifunction Display with RealVision 3D, 1kW CHIRP Sonar and Navionics U.S. and Coastal Canada Chart	\$4,499.99
E70372-00-MCB	AXIOM Pro 12 RVX Multifunction Display with RealVision 3D, 1kW CHIRP Sonar and Navionics Blank Chart for Region Download	\$4,499.99
AXIOM 16 PRO-RVX		
E70373	AXIOM Pro 16 RVX Multifunction Display with RealVision 3D and 1kW CHIRP Sonar	\$6,449.99
E70373-00-102	AXIOM Pro 16 RVX Multifunction Display with RealVision 3D, 1kW CHIRP Sonar and LightHouse North America Chart	\$6,499.99
E70373-00-NAG	AXIOM Pro 16 RVX Multifunction Display with RealVision 3D, 1kW CHIRP Sonar and Navionics U.S. and Coastal Canada Chart	\$6,699.99
E70373-00-MCB	AXIOM Pro 16 RVX Multifunction Display with RealVision 3D, 1kW CHIRP Sonar and Navionics Blank Chart for Region Download	\$6,699.99

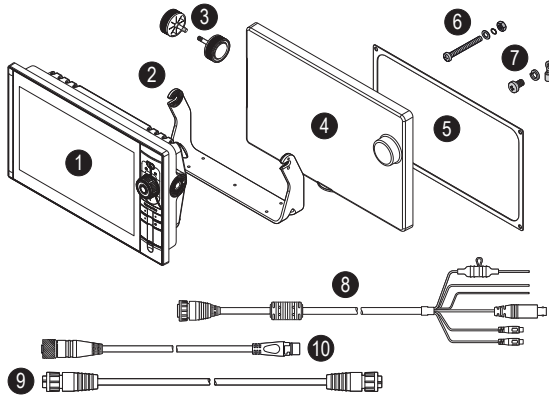
AXIOM® 2 PRO

PART NO.	DESCRIPTION	MSRP
AXIOM 2 PRO-RVX CHARTPLOTTER WITH REALVISION 3D AND 1KW SONAR		
AXIOM 2 9 PRO-RVM		
E70654	Axiom 2 Pro 9 RVM HybridTouch 9" Multifunction Display with Integrated 1kW Sonar, DV, SV and Realvision 3D Sonar	\$3,049.99
E70654-00-102	Axiom 2 Pro 9 RVM HybridTouch 9" Multifunction Display with Integrated 1kW Sonar, DV, SV and RealVision 3D Sonar and LightHouse North America Chart	\$3,099.99
AXIOM 2 12 PRO-RVM		
E70656	Axiom 2 Pro 12 RVM HybridTouch 12" Multifunction Display with Integrated 1kW Sonar, DV, SV and Realvision 3D Sonar	\$4,399.99
E70656-00-102	Axiom 2 Pro 12 RVM HybridTouch 12" Multifunction Display with Integrated 1kW Sonar, DV, SV and RealVision 3D Sonar and LightHouse North America Chart	\$4,449.99
AXIOM 2 16 PRO-RVM		
E70658	Axiom 2 Pro 16 RVM HybridTouch 16" Multifunction Display with Integrated 1kW Sonar, DV, SV and Realvision 3D Sonar	\$6,499.99
E70658-00-102	Axiom 2 Pro 16 RVM HybridTouch 16" Multifunction Display with Integrated 1kW Sonar, DV, SV and RealVision 3D Sonar and LightHouse North America Chart	\$6,549.99
AXIOM, AXIOM PRO & AXIOM 2 PRO ACCESSORIES		
ACCESSORIES		
R70794	32Gb LightHouse North America Chart	\$149.99
R70795	32Gb micro SD card for Preformatted blank card for LightHouse Charts that includes a 2-region download voucher	\$149.99
A80730	Navionics+ U.S. and Coastal Canada Chart	\$209.99
A80729	Navionics+ Canada and Alaska Chart	\$159.99
A80728	Navionics+ Blank Chart for Region Downloads	\$159.99
T70293	System Remote Control Portrait & Landscape Keypad (RMK-10)	\$419.99
A80438	System Remote Control Portrait Keypad (RMK-10)	\$399.99
R70508	RMK-10 Landscape Keypad Top	\$64.99
A80440	RCR - Remote SD Card Reader and USB Socket	\$169.99
A80585	RCR1 Remote Card Reader	\$129.99
A80630	Bulkhead Mount Micro USB Socket with 1m cable for DJI Drones only	\$129.99
A80288	GA150 GPS & Glonass antenna for direct connect to AXIOM Pro and AXIOM XL	\$159.99
E70310	Raystar 150 10Hz GPS/Glonass antenna (STng)	\$319.99
A80370	Pole Mount for RS150 GPS Antenna / Micro-Talk Puck	\$34.99
T70327	Raystar 150 GPS with Pole Mount	\$349.99
A80644	Airmar Embedded Transducer Junction Box	\$299.99
A80007	HS-5 Network Switch (RayNet)	\$359.99
A80731	RNS-5 - 5 Port RayNet Gigabit Switch	\$399.99
R70615	RealVision 25-pin Locking Collar Kit	\$19.99
SUNCOVERS		
A80534	AXIOM 9 Pro Silicone Suncover	\$64.99
A80535	AXIOM 12 Pro Silicone Suncover	\$64.99
A80536	AXIOM 16 Pro Silicone Suncover	\$129.99
TRUNNION MOUNTING KITS		
R70384	AXIOM Pro 9/eS9 Trunnion Mount Kit	\$149.99
R70389	AXIOM Pro 12/eS12 Trunnion Mount Kit	\$149.99
A80537	Axiom Pro 16 Bracket / Ball Mount Plate	\$149.99
FLUSH MOUNTING KITS		
R70385	AXIOM Pro 9/eS9 Flush Mount Seal Kit	\$54.99
R70388	AXIOM Pro 12/eS12 Flush Mount Seal Kit	\$44.99
R70599	AXIOM Pro 16 Flush Mount Seal Kit	\$84.99

AXIOM® 2 PRO



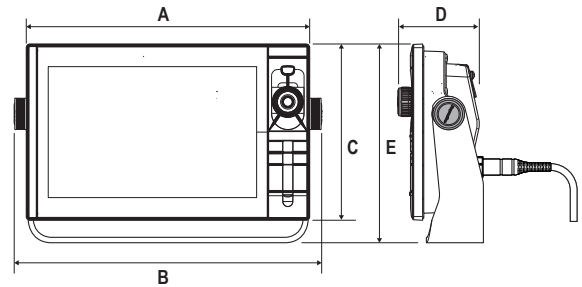
AXIOM 2 PRO: IN THE BOX



1. Display
2. Trunnion bracket (**Axiom 2 Pro 9 and 12 Only**)
3. Trunnion bracket fixings
4. Suncover
5. Gasket
6. Mounting fixings x 4 (Including bolts, washers, nuts)
7. M3 x 5 screw, M3 spring washer and M3 crimp terminal (for optional grounding connection)
8. Power/video/audio cable 1.5 m (4.92 ft)
9. RayNet 2 m (6.6 ft) network cable
10. SeaTalkng™ to DeviceNet 1 m (3.3 ft) adaptor cable



	AXIOM 2 PRO 9		AXIOM 2 PRO 12		AXIOM 2 PRO 16	
	mm	in	mm	in	mm	in
A	299.32	11.78	358	14.1	452	17.8
B	329.5	12.97	388.5	15.3	482.50	19.00
C	173.8	6.84	222.8	8.77	258	10.2
D	97.9	3.85	96.3	3.79	101.8	4.0
E	186.2	7.3	246.13	9.69	281.20	11.10



PART NO.	DESCRIPTION	MSRP
----------	-------------	------

REAR MOUNTING KITS

A80342	AXIOM Pro 9/eS9 Rear Mounting Bracket	\$44.99
A80343	AXIOM Pro 12/eS12 Rear Mounting Bracket	\$44.99

POWER CABLES

R70029	Power Cable, Angled 1.5M (AXIOM Pro and Legacy)	\$149.99
R62379	Power Cable, Straight 1.5M (AXIOM Pro and Legacy)	\$149.99

ADAPTOR PLATES

A80530	Installation Adaptor Plate C/E90W to AXIOM Pro 9	\$74.99
A80565	Installation Adaptor Plate C/E120 to AXIOM Pro 12	\$84.99
A80531	Installation Adaptor Plate C/E120W to AXIOM Pro 12 (will require new holes)	\$84.99
A80533	Installation Adaptor Plate C/E140W/e165 to AXIOM Pro 16 (will require new holes)	\$104.99

TRIM KITS

R70383	AXIOM Pro 9/eS9 Trim Kit	\$54.99
R70387	AXIOM Pro 12/eS12 Trim Kit	\$54.99
R70598	AXIOM Pro 16 Trim Kit	\$84.99

AXIOM® 2 XL



SAILING



CRUISING
LUXURY YACHTS
SUPERYACHTS



OFFSHORE
FISHING

NEW

Axiom 2 XL, the flagship of the Axiom family, delivers powerful chartplotter performance, stylish large-format navigation, and the elegant simplicity of the LightHouse 4 operating system. Designed for all weather conditions, the rugged yet beautiful Axiom 2 XL displays are at home in open cockpits or enclosed glass bridge stations. Enhanced with powerful 6-core processors, expanded networking, and ultra-bright HydroTough displays, Axiom 2 XL is the premium chartplotter for captains who demand the best. Axiom 2 XL displays are available in 16, 19, 22, and 24-inch diagonal display sizes.

Glass Bridge

Axiom 2 XL offers the largest possible displays with the smallest overall footprint. Experience big-screen navigation even on tightly spaced helms.

More Powerful

Get underway faster with our most powerful 6-core chartplotter processor.

Remote Control

Add the RMK-10 keypad and enjoy complete remote keypad control of each Axiom 2 XL at your helm.

Advanced Video Integration

HDMI input, HDMI output, and USB touchscreen input lets you integrate with Axiom 2 XL with remote computers and HDTV monitors.

HydroTough Displays

Engineered to perform in extreme environments. HydroTough™ nano-coating technology repels water for reliable touchscreen control and delivers enhanced colors and sunlight visibility.

Navigate Smarter

Chartplotter, sonar, radar, autopilot, and video integrated together seamlessly with the intuitive LightHouse 4 operating system.

Automatic Display Brightness

An ambient light sensor automatically adjusts display brightness for day and evening lighting conditions.

Superior Networking

Create a glass bridge helm with multiple Axiom 2 XL displays and expanded video options, including 3 power-over-ethernet Raynet ports for video camera connectivity.

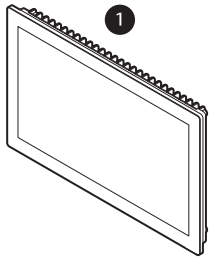
AXIOM® 2 XL

PART NO.	DESCRIPTION	MSRP
AXIOM XL GLASS BRIDGE DISPLAYS		
AXIOM XL GLASS BRIDGE DISPLAYS		
E70399	Axiom XL 16 - 15.6" Multifunction Display Only	\$7,799.99
T70427	Axiom XL 16 - 15.6" Multifunction Display Kit (includes RCR-SD, Alarm and Cable)	\$7,999.99
E70400	Axiom XL 19 - 18.5" Multifunction Display Only	\$9,799.99
T70428	Axiom XL 19 - 18.5" Multifunction Display Kit (includes RCR-SD, Alarm and Cable)	\$9,999.99
E70515	Axiom XL 22 - 21.5" Multifunction Display Only	\$12,299.99
T70429	Axiom XL 22 - 21.5" Multifunction Display Kit (includes RCR-SD, Alarm and Cable)	\$12,499.99
E70401	Axiom XL 24 - 24" Multifunction Display Only	\$13,799.99
T70430	Axiom XL 24 - 24" Multifunction Display Kit (includes RCR-SD, Alarm and Cable)	\$13,999.99
AXIOM 2 XL GLASS BRIDGE DISPLAYS		
AXIOM 2 XL GLASS BRIDGE DISPLAYS		
E70661	Axiom 2 XL 16 - 15.6" Multifunction Display Only	\$7,799.99
T70545	Axiom 2 XL 16 - 15.6" Multifunction Display Kit (includes RCR-SD, Alarm and Cable)	\$7,999.99
E70662	Axiom 2 XL 19 - 18.5" Multifunction Display Only	\$9,799.99
T70546	Axiom 2 XL 19 - 18.5" Multifunction Display Kit (includes RCR-SD, Alarm and Cable)	\$9,999.99
E70663	Axiom 2 XL 22 - 21.5" Multifunction Display Only	\$12,299.99
T70547	Axiom 2 XL 22 - 21.5" Multifunction Display Kit (includes RCR-SD, Alarm and Cable)	\$12,499.99
E70664	Axiom 2 XL 24 - 24" Multifunction Display Only	\$13,799.99
T70548	Axiom 2 XL 24 - 24" Multifunction Display Kit (includes RCR-SD, Alarm and Cable)	\$13,999.99
ACCESSORIES		
A80440	RCR - Remote SD Card Reader and USB Socket	\$169.99
A80585	RCR1 Remote Card Reader	\$129.99
A80630	Bulkhead Mount Micro USB Socket with 1m cable for DJI Drones only	\$129.99
A80288	GA150 GPS & Glonass antenna for direct connect to AXIOM Pro and AXIOM XL	\$159.99
E26033	External Alarm Buzzer	\$44.99
A80235	2m AXIOM XL Video In and Alarm Cable	\$44.99
T70431	AXIOM XL Accessory Pack	\$359.99
A80578	USB (A) Right Angle to USB (B) Cable, 5M for touch screen input	\$64.99
A80579	USB (B) Right Angle to USB (A) Cable, 5M for touch screen output	\$64.99
T70293	System Remote Control Portrait & Landscape Keypad (RMK-10)	\$419.99
A80438	System Remote Control Portrait Keypad (RMK-10)	\$399.99
R70508	RMK-10 Landscape Keypad Top	\$64.99
E70310	Raystar 150 10Hz GPS/Glonass antenna (STng)	\$319.99
A80370	Pole Mount for RS150 GPS Antenna / Micro-Talk Puck	\$34.99
T70327	Raystar 150 GPS with Pole Mount	\$349.99
A80007	HS-5 Network Switch (RayNet)	\$359.99
A80731	RNS-5 - 5 Port RayNet Gigabit Switch	\$399.99
SUNCOVERS		
R70665	AXIOM XL 16 Suncover	\$129.99
R70666	AXIOM XL 19 Suncover	\$139.99
R70676	AXIOM XL 22 Suncover	\$159.99
R70667	AXIOM XL 24 Suncover	\$179.99
REAR MOUNTING KITS		
R70668	AXIOM XL 16 - Rear Mounting Kit	\$284.99
R70669	AXIOM XL 19 Rear Mounting Kit	\$284.99
R70675	AXIOM XL 22 Rear Mounting Kit	\$284.99
R70670	AXIOM XL 24 Rear Mounting Kit	\$284.99
POWER CABLES		
R70029	Power Cable, Angled 1.5M (AXIOM Pro, XL and Legacy)	\$149.99
R62379	Power Cable, Straight 1.5M (AXIOM Pro, XL and Legacy)	\$149.99

AXIOM[®] 2 XL



AXIOM 2 XL: IN THE BOX



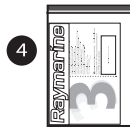
1



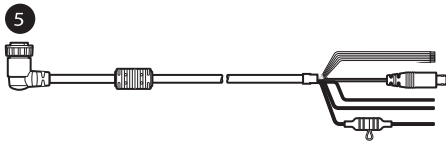
2



3



4



5



6



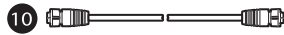
7



8



9

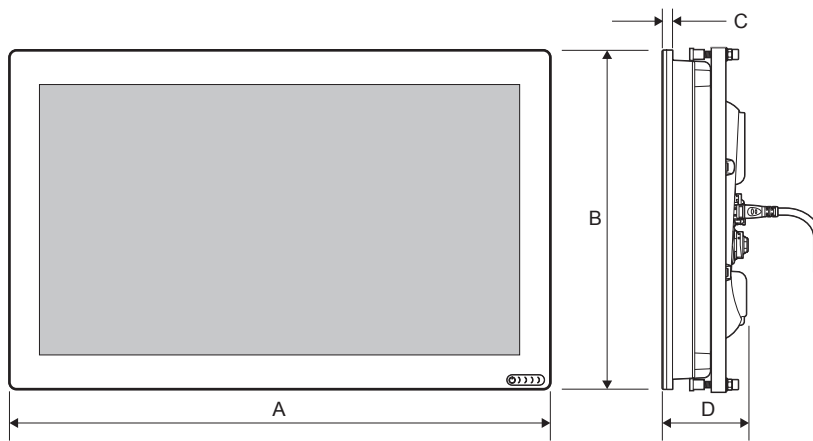


10

1. Axiom™ 2 XL MFD
2. Rear mounting bar x 2
3. Mounting gasket tape
4. Documentation pack
5. Power/Video/NMEA 0183 cable 1.5 m (4.92 ft) right-angled
6. Mounting bar fixings x 4 (M5 x 20 pozi countersunk)
7. Mounting fixings x 4 (Including M5 x 35 Bolts, M5 wavy washers, M5 nuts and mounting feet)
8. M3 x 5 screw, M3 spring washer and M3 crimp terminal (for optional grounding connection)
9. SeaTalkng™ to DeviceNet 1 m (3.3 ft) adaptor cable
10. RayNet 2 m (6.6 ft) network cable

AXIOM® 2 XL

	AXIOM 2 XL 16		AXIOM 2 XL 19		AXIOM 2 XL 22		AXIOM 2 XL 24	
	mm	in	mm	in	mm	in	mm	in
A	394.9	15.54	462	18.1	534	21.02	578	22.76
B	248.22	9.77	289	11.3	326	12.83	387	15.23
C	9.0	0.35	9.0	0.35	9.0	0.35	9.0	0.35
D	73.96	2.91	73.96	2.91	79.75	3.14	76	3.0

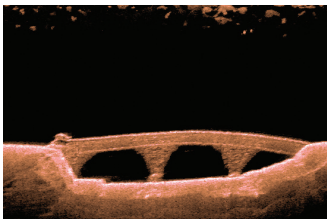


RVX1000 SONAR



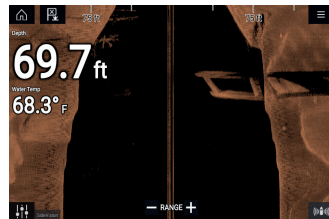
INSHORE AND OFFSHORE FISHING

The RVX1000 offers all of the sonar performance and features of Raymarine Axiom Pro in a remotely mounted black box sonar module. With Raymarine's award winning RealVision 3D sonar technology, CHIRP Side and DownVision, plus a high powered 1kW dual channel CHIRP sonar, the RVX1000 is a versatile sonar solution for both inshore and offshore fishing.



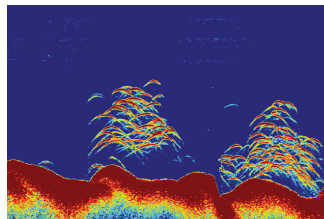
CHIRP DownVision

CHIRP DownVision® delivers a photo-like view of the world beneath your boat, allowing you to image bottom structures with amazing detail and simultaneously target fish.



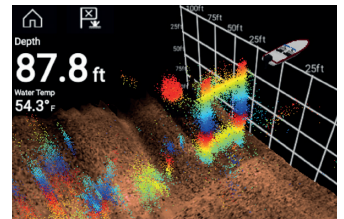
CHIRP SideVision

CHIRP SideVision® sonar expands your underwater horizon with bank-to-bank displays of fish, bait and underwater structures. SideVision lets you see further, see more clearly, and detect more fish than traditional side scanning sonars.



CHIRP DownVision

RVX1000 has built-in low power, high frequency CHIRP plus 1kW high power CHIRP supporting low, medium and high frequency bands. Dual transducer connections let you customize your sonar system with a wide range of transom mount, in-hull and through-hull options.



RealVision 3D

RealVision™ 3D give anglers the ability to see what's below, behind, and to the sides of the boat, all at once and in three-dimensions. RealVision 3D displays the entire underwater world—including structure, cover, fish and forage. Pan, tilt, and zoom the 3D image to examine from any angle.

RVX1000 SONAR

PART NO.	DESCRIPTION	MSRP
REALVISION BLACK BOX SOUNDER		
REALVISION BLACKBOX SONAR WITH 1KW SONAR, DOWNVISION, SIDEVISION AND REALVISION 3D SONAR		
E70511	RVX1000 RealVision Black Box Sonar with 1kW Sonar, DownVision, SideVision and RealVision 3D Sonar	\$1,749.99
E70665	RVM1600 RealVision Black Box Sonar with 1kW Sonar, DownVision, SideVision and RealVision 3D Sonar	\$1,999.99
AXIOM, AXIOM PRO AND RVX1000 TRANSDUCERS		
CONICAL HIGH CHIRP DIRECT CONNECT TO AXIOM DV ADAPTOR CABLE A80490 REQUIRED FOR AXIOM RV AND ALL AXIOM PROS		
A80490	Adaptor Cable (9 pin to 25 pin) attach (CPT-xxx) transducer to AXIOM RV, AXIOM Pro or RVX1000	\$59.99
E70342	CPT-S Plastic Conical HIGH CHIRP Transom Mount Transducer (Requires A80490 Adaptor Cable)	\$74.99
A80691	CPT-S In-Hull Transducer (Requires A80490 Adaptor Cable)	\$179.99
E70339	CPT-S Plastic Conical HIGH CHIRP Through Hull 0° Angled Element Transducer (Requires A80490 Adaptor Cable)	\$179.99
A80448	CPT-S Plastic Conical HIGH CHIRP Through Hull 12° Angled Element Transducer (Requires A80490 Adaptor Cable)	\$179.99
A80447	CPT-S Plastic Conical HIGH CHIRP Through Hull 20° Angled Element Transducer (Requires A80490 Adaptor Cable)	\$179.99
A80446	CPT-S Bronze Conical HIGH CHIRP Through Hull 0° Angled Element Transducer (Requires A80490 Adaptor Cable)	\$289.99
E70340	CPT-S Bronze Conical HIGH CHIRP Through Hull 12° Angled Element Transducer (Requires A80490 Adaptor Cable)	\$299.99
E70341	CPT-S Bronze Conical HIGH CHIRP Through Hull 20° Angled Element Transducer (Requires A80490 Adaptor Cable)	\$299.99
CONICAL HIGH CHIRP & DOWNVISION TRANSDUCER DIRECT CONNECT TO AXIOM DV, ADAPTOR CABLE A80490 REQUIRED FOR AXIOM RV, AXIOM PR-RVX A& RVX1000		
A80490	Adaptor Cable (9 pin to 25 pin) attach (CPT-xxx) transducer to AXIOM RV, AXIOM Pro or RVX1000	\$59.99
A80351	CPT-100DVS Transom Mount Chirp Transducer, Depth & Temp, Direct connect to CP100 & xx8 MFDs (10m cable)	\$149.99
A80277	CPT-110 Plastic Through Hull Chirp Transducer, Depth & Temp, Direct connect to CP100 & xx8 MFDs (10m cable)	\$329.99
A80350	CPT-120 Bronze Through Hull Chirp Transducer with High Speed Fairing, Depth & Temp, Direct connect to CP100 & xx8 MFDs (10m cable)	\$399.99
AXIOM RV, AXIOM PRO-RVX AND RVX1000 REALVISION 3D TRANSDUCERS		
A80464	RV-100 RealVision 3D Transom Mount Transducer (8M Cable)	\$484.99
A80465	RV-200 RealVision 3D Bronze Through Hull Transducer 0 Degree (8M Cable)	\$1,264.99
T70318	Pack of RV-212 RealVision 3D Bronze Through Hull Transducers, Port and Starboard 12 Degree (includes 8M Transducer Extension Cable and Split Transducer Y-Cable)	\$2,199.99
A80466	RV-212P RealVision 3D Bronze Through Hull Transducer Port 12 Degree (2M Cable)	\$989.99
A80467	RV-212S RealVision 3D Bronze Through Hull Transducer Starboard 12 Degree (2M Cable)	\$989.99
T70319	Pack of RV-220 RealVision 3D Bronze Through Hull Transducers, Port and Starboard 20 Degree (includes 8M Transducer Extension Cable and Split Transducer Y-Cable)	\$2,199.99
A80468	RV-220P RealVision 3D Bronze Through Hull Transducer Port 20 Degree (2M Cable)	\$989.99
A80469	RV-220S RealVision 3D Bronze Through Hull Transducer Starboard 20 Degree (2M Cable)	\$989.99
A80470	RV-300 RealVision 3D Plastic Through Hull Transducer 0 Degree (8M Cable)	\$989.99
T70320	Pack of RV-312 RealVision 3D Plastic Through Hull Transducers, Port and Starboard 12 Degree (includes 8M Transducer Extension Cable and Split Transducer Y-Cable)	\$1,869.99
A80471	RV-312P RealVision 3D Plastic Through Hull Transducer Port 12 Degree (2M Cable)	\$824.99
A80472	RV-312S RealVision 3D Plastic Through Hull Transducer Starboard 12 Degree (2M Cable)	\$824.99
T70321	Pack of RV-320 RealVision 3D Plastic Through Hull Transducers, Port and Starboard 20 Degree (includes 8M Transducer Extension Cable and Split Transducer Y-Cable)	\$1,869.99
A80473	RV-320P RealVision 3D Plastic Through Hull Transducer Port 20 Degree (2M Cable)	\$824.99
A80474	RV-320S RealVision 3D Plastic Through Hull Transducer Starboard 20 Degree (2M Cable)	\$824.99
A80615	RV-400 RealVision 3D Stainless Steel Thru Hull Transducer - 0 Degree	\$1,484.99
T70450	RV-412 RealVision 3D Stainless Steel Thru Hull Transducer Pair - 12 Degree	\$2,249.99
A80616	RV-412 RealVision 3D Stainless Steel Thru Hull Transducer - 12 Degree Port	\$1,024.99
A80617	RV-412 RealVision 3D Stainless Steel Thru Hull Transducer - 12 Degree Starboard	\$1,024.99
T70451	RV-420 RealVision 3D Stainless Steel Thru Hull Transducer Pair - 20 Degree	\$2,249.99
A80618	RV-420 RealVision 3D Stainless Steel Thru Hull Transducer - 20 Degree Port	\$1,024.99
A80619	RV-420 RealVision 3D Stainless Steel Thru Hull Transducer - 20 Degree Starboard	\$1,024.99

RVX1000 SONAR

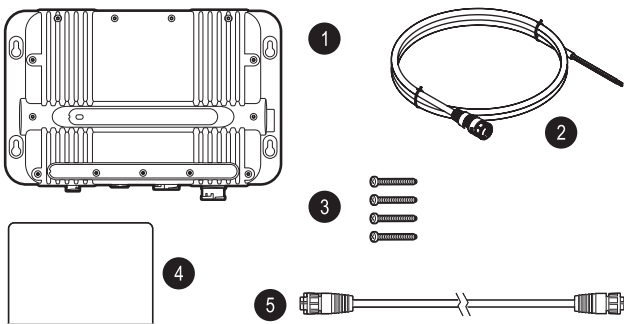
PART NO.	DESCRIPTION	MSRP
AXIOM 2 PRO RVM AND RVM1600 REALVISION 3D TRANSDUCERS		
A80703	RVM-100 All-In-One Transom Mount Transducer, 8M Cable	\$599.99
A80704	RVM-400 RealVision 3D Stainless Steel Through Hull Transducer 0 Deg., Direct Connect to Axiom 2 and RVM1600 (8M Cable)	\$1,499.99
T70543	Pack of RVM-412 RealVision 3D Stainless Steel Thru-Hull Transducers, Port & Starboard 12 Deg., Direct Connect to Axiom 2 and RVM1600 (2 X 2M, Y-Cable & 8M Ext. Cable)	\$2,399.99
A80705	RVM-412 SS Thru-Hull Transducer, 12 Deg Port, 2M Cable	\$1,099.99
A80706	RVM-412 Stainless Steel Thru-Hull Transducer, 12 Deg Starboard, 2M Cable	\$1,099.99
T70544	Pack of RVM-420 RealVision 3D Stainless Steel Thru-Hull Transducers, Port & Starboard 20 Deg., Direct Connect to Axiom 2 and RVM1600 (2 X 2M, Y-Cable & 8M Ext. Cable)	\$2,399.99
A80707	RVM-420 Stainless Steel Thru-Hull Transducer, 20 Deg Port, 2M Cable	\$1,099.99
A80708	RVM-420 Stainless Steel Thru-Hull Transducer, 20 Deg. Starboard, 2M Cable	\$1,099.99
NON CHIRP 50/200 KHZ TRANSDUCER FOR AXIOM DV (A80485 REQUIRED), AXIOM RV ONLY (A80489 REQUIRED) & AXIOM PRO-RVX OR RVX1000 (A80496 REQUIRED)		
A80485	Adaptor Cable used to attach CP370 transducers to AXIOM DV	\$59.99
A80489	Axiom RV to CP370 Transducer Cable	\$59.99
A80496	Adaptor Cable to attach an Airmar transducer (8 pin) to AXIOM Pro-RVX (11 pin) or RVX1000 (11 pin)	\$59.99
A80567	P74 Depth and Temp In-Hull Transducer with 9M Cable (CP370 connect 8-pin)	\$119.99
E66008	P79 Adjustable In-Hull Angle	\$199.99
E66013	P319 Low Profile Through Hull	\$199.99
E66014	Bronze B117 Low Profile Through Hull	\$274.99
E66077	P319 Urethane Low Profile Thru-Hull Transducer 600W	\$164.99
E66086	Bronze B60 D/T Through Hull with 12° Tilted Element Transducer	\$339.99
E66085	Bronze B60 D/T Through Hull with 20° Tilted Element Transducer	\$339.99
E66054	P66 Urethane D/S/T Transom Mount Transducer	\$189.99
A66091	Bronze B744V D/S/T Through Hull Retractable Transducer (includes E66023 Fairing Block)	\$479.99
A66092	Bronze B744VL D/S/T Through Hull Retractable Transducer (includes E66023 Fairing Block)	\$599.99
A66089	M260 D Transducer with in hull-kit	\$1,299.99
E66084	TM258 D/T Transom Mount Transducer with Transom Mount Bracket (DSM30/300 CP300/370 connect)	\$949.99
E66082	Bronze B258 D/T Through Hull Transducer (includes Fairing Block) (DSM30/300 & CP300/370 connect)	\$999.99
A102137	Bronze B164-0 D/T 0° 50/200 1kW Flush Transducer (DSM30/300 & CP300/370 connect)	\$1,199.99
A102112	Bronze B164-12 D/T 12° 50/200 kHz Low Profile (DSM30/300 & CP300/370 connect)	\$1,199.99
A102113	Bronze B164-20 D/T 20° 50/200 kHz Low Profile Transducer (DSM30/300 & CP300/370 connect)	\$1,199.99
A80451	Stainless Steel SS164 D/T 0° 50/200 1kW Through Hull Transducer (DSM30/300 & CP300/370 connect)	\$1,299.99
A66098	Stainless Steel SS164 D/T 12° 50/200 1kW Through Hull Transducer (DSM30/300 & CP300/370 connect)	\$1,299.99
A66099	Stainless Steel SS164 D/T 20° 50/200 1kW Through Hull Transducer (DSM30/300 & CP300/370 connect)	\$1,299.99
E66079	Bronze B260 D/T Broadband Through Hull Stem (includes Fairing Block) (DSM30/300 & CP300/370 connect)	\$1,599.99
SPEED/TEMPERATURE - TRANSDUCERS		
E66071	P120 S/T Retractable Through Hull Transducer - Obsolete when inventory is depleted	\$274.99
E66072	Bronze B120 S/T Low Profile Through Hull Retractable Transducer (includes Y Cable) - Obsolete when inventory is depleted	\$299.99
AXIOM PRO-RVX, RVX1000, CP470 & CP570 600W/1KW/2KW/3KW TRANSDUCERS - NO ADAPTOR CABLE REQUIRED - SEE CP470 SECTION		
AXIOM ADAPTOR CABLES		
A80515	Adaptor - AXIOM RV / PRO RVX MFD to RV Transducer right angle adaptor - 45MM	\$89.99
A80484	Adaptor Cable (7 pin to 9 pin) to attach an Airmar (7 pin transducer to AXIOM 7 DV (9 Pin)	\$59.99
A80485	Adaptor Cable (9 pin to 7 pin) used to attach CP370 transducers to AXIOM DV	\$59.99
A80486	Adaptor Cable (9 pin to 9 & 7 pin Y-Cable) used to attach DownVision and embedded Airmar 600 W transducers to AXIOM DV	\$109.99
A80487	Adaptor Cable (9 pin to 7 & 7 pin Y-Cable) used to attach DownVision & CP370 transducers to AXIOM DV	\$109.99
A80488	Adaptor Cable (7 pin to 25 pin) to attach an Airmar transducer (7 pin) to AXIOM RV (25 pin)	\$59.99
A80489	Axiom RV to CP370 Transducer Cable	\$59.99
A80490	Adaptor Cable (9 pin to 25 pin) attach (CPT-xxx) transducer to AXIOM RV, AXIOM Pro or RVX1000	\$59.99
A80491	Adaptor Cable (25 pin to 25 pin and 7 pin Y-Cable) used to attach RealVision and embedded 600W Airmar transducers to AXIOM RV	\$109.99
A80492	Adaptor Cable (25 pin to 25 pin and 7 pin Y-Cable) used to attach RealVision and CP370 transducers to AXIOM RV	\$109.99
A80493	Adaptor Cable (25 pin to 9 pin and 7 pin Y-Cable) used to attach DownVision and existing transducers to AXIOM RV	\$109.99
A80478	RV Split Transducer Y-Cable	\$89.99
A80494	Adaptor Cable (25 pin to 9 pin and 8 pin Y-Cable) used to attach DownVision and CP370 transducers to AXIOM RV	\$109.99
A80496	Adaptor Cable to attach an Airmar transducer (8 pin) to AXIOM Pro-RVX (11 pin) or RVX1000 (11 pin)	\$59.99

RVX1000 SONAR

PART NO.	DESCRIPTION	MSRP
EXTENSION CABLES		
A80475	3M RealVision 3D Transducer Extension Cable	\$109.99
A80476	5M RealVision 3D Transducer Extension Cable	\$119.99
A80477	8M RealVision 3D Transducer Extension Cable	\$189.99
E66010	5m Transducer Extension Cable with Removable Back-Shell	\$109.99
E66066	Transducer Adaptor Cable for DSM/CP transducer to MFD	\$94.99
A62363	1M Minnkota Adaptor Cable (7 pin)	\$84.99
TRANSDUCER MOUNTING PLATES		
R70521	RV-100 Transom Mount Bracket	\$59.99
A80479	Step Mount for RV-100 RealVision 3D Transom Mount Transducer	\$79.99
A80480	Jack Plate Mount for RV-100 RealVision 3D Transom Mount Transducer	\$79.99
A80482	Spacer Kit for Jack Plate Mount for RV-100 RealVision 3D Transom Mount Transducer	\$34.99
A80702	RV Transducer High Speed Nose Cone	\$49.99

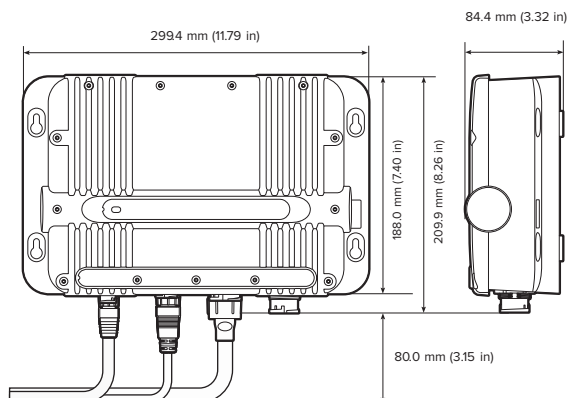


RVX1000: IN THE BOX



1. RVX1000 Sonar module
2. 1.5m power cable
3. Fixing screws
4. Documentation pack
5. RayNet Network Cable, 2m

← (mm / in.) →



RVM1600 SONAR



INSHORE AND OFFSHORE FISHING

NEW

The RVM1600 with RealVision MAX technology takes Raymarine multi-channel CHIRP sonar performance to a new level. The next generation of DownVision, SideVision, 3D, and conventional CHIRP sonar, RealVision MAX delivers vivid sonar imagery and fish targets like never before. RealVision MAX starts with all-new high-performance RealVision CHIRP transducers, upgraded with larger elements and increased power output for extended-range performance. Next, RealVision MAX CHIRP signal processing and faster ping rates improve visual fidelity and target identification. With RealVision MAX, structure is more recognizable, and the most elusive fish are easily identifiable with high-contrast RealVision MAX sonar color palettes.

Multi-Channel Sonar

The RVM1600 is equipped with both a 1 kW dual-channel CHIRP sonar plus RealVision MAX sonar channels, including High CHIRP, SideVision, DownVision, and 3D channel.

Maximum Clarity

RealVision MAX CHIRP sonar processing, combined with faster ping rates, delivers superior sonar imagery in CHIRP, Side, Down, and RealVision sonar channels.

Maximum Fish

New RealVision MAX high contrast colour palettes and fish targeting enhancements help you positively identify fish and bait.

Maximum Range

More powerful RealVision MAX CHIRP transducers with a 600-watt conical High CHIRP element and upgraded Side and DownVision elements deliver better fishfinding on longer-range scales.

CHIRP DownVision

CHIRP DownVision® delivers a photo-like view of the world beneath your boat. See bottom structures and fish targets with amazing detail.

CHIRP SideVision

CHIRP SideVision® sonar expands your underwater horizon with bank-to-bank displays of fish, bait, and underwater structures. See further and see more fish than traditional side scanning sonars.

Conventional CHIRP

RealVision Max transducers feature a 600-watt high-frequency conical CHIRP element for coastal fishing. A separate 1kW dual-channel CHIRP sonar for offshore fishing with a wide range of transom, in-hull and through-hull options.

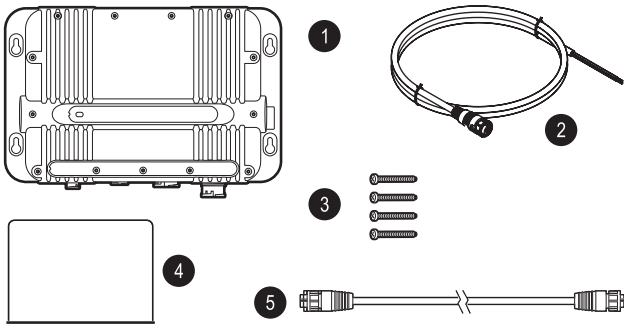
3D Sonar

RealVision MAX 3D sonar lets anglers see sonar data in a life-like 3D perspective view. Use 3D sonar to pinpoint that elusive wreck or setup the perfect drift.

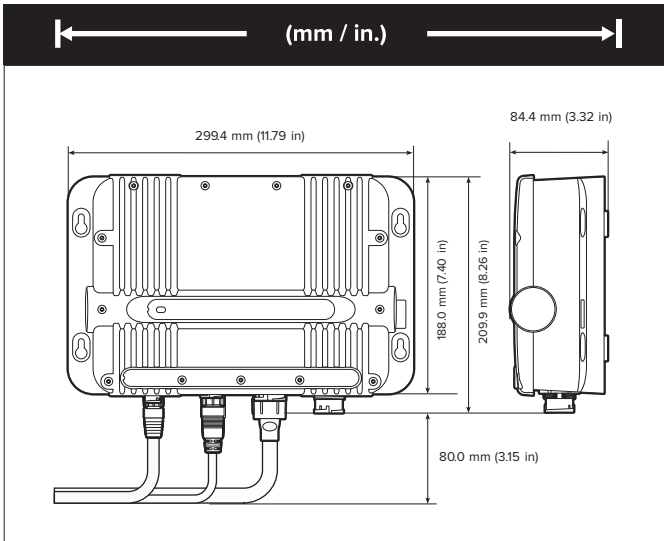
RVM1600 SONAR



RVM1600: IN THE BOX



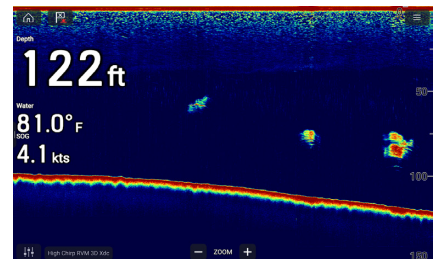
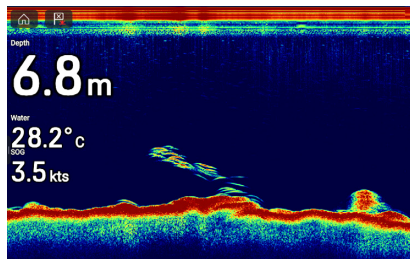
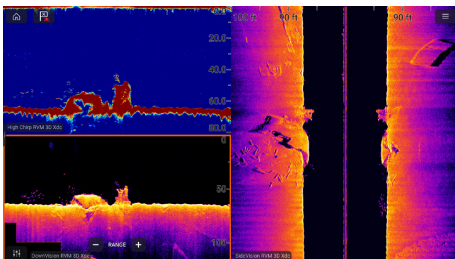
1. RVM1600 Sonar module
2. 1.5m power cable
3. Fixing screws
4. Documentation pack
5. RayNet Network Cable, 2m



RVM-400
Through-Hull Transducer



RVM-100
Transom-Mount Transducer



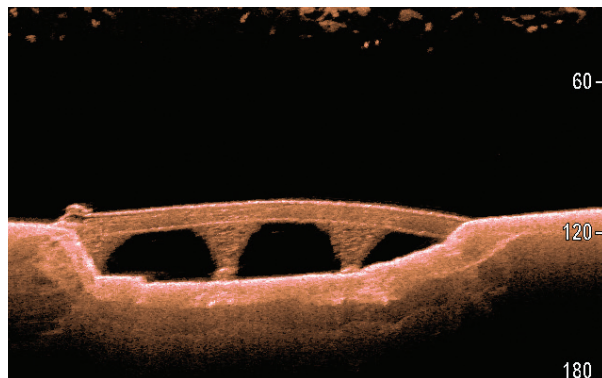
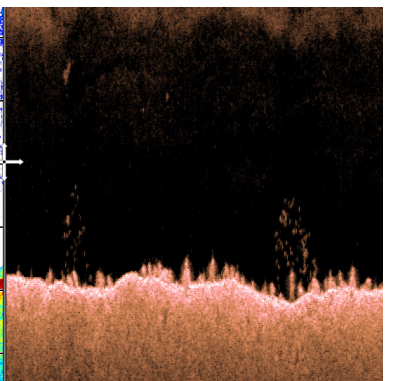
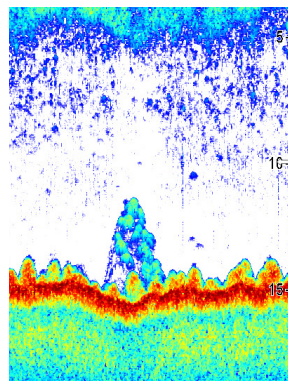
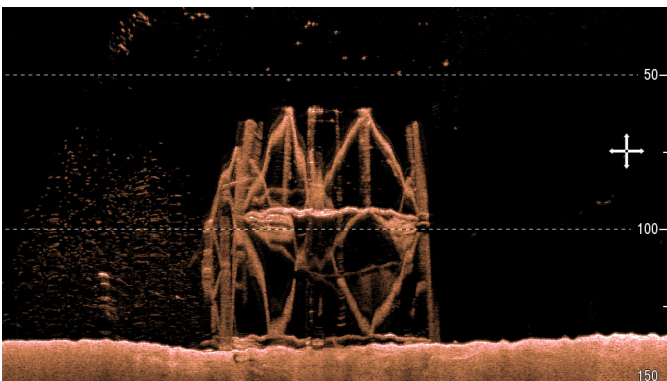
CP100 SONAR



FRESHWATER AND COASTAL FISHING

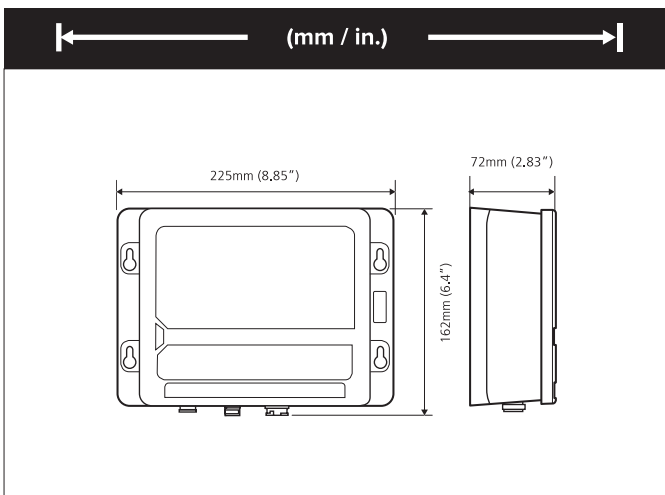
CP100 DownVision Sonar Module

The CP100 network sonar module brings CHIRP DownVision technology to Raymarine's chartplotters displays. CP100's CHIRP DownVision delivers a photo like view of the world beneath your boat, allowing you to image bottom structure with amazing detail and target fish simultaneously.



CP100 SONAR

PART NO.	DESCRIPTION	MSRP
SIRIUSXM WEATHER		
SIRIUSXM WEATHER RECEIVER		
E70499	SR200 SiriusXM InfoLINK Receiver (Includes Antenna & Cable)	\$649.99
R70621	SR200 Data Cable / RayNet to Infolink, 2M	\$69.99
R70622	SR200 Power Cable, 2M	\$69.99
R70623	SR200 Audio Cable, 2M	\$69.99
A80368	SR200 Antenna and 25' Cable	\$124.99
CP100 & CP200		
DOWNVISION & SIDEVISION SOUNDER MODULE		
E70204	CP100 DownVision Fishfinder	\$599.99
CHIRP SONAR, DOWNVISION & SIDEVISION TRANSDUCERS		
E70342	CPT-S Plastic Conical HIGH CHIRP Transom Mount Transducer	\$74.99
A80691	CPT-S In-Hull Transducer	\$179.99
E70339	CPT-S Plastic Conical HIGH CHIRP Through Hull 0° Angled Element Transducer	\$179.99
A80448	CPT-S Plastic Conical HIGH CHIRP Through Hull 12° Angled Element Transducer	\$179.99
A80447	CPT-S Plastic Conical HIGH CHIRP Through Hull 20° Angled Element Transducer	\$179.99
A80446	CPT-S Bronze Conical HIGH CHIRP Through Hull 0° Angled Element Transducer	\$289.99
E70340	CPT-S Bronze Conical HIGH CHIRP Through Hull 12° Angled Element Transducer	\$299.99
E70341	CPT-S Bronze Conical HIGH CHIRP Through Hull 20° Angled Element Transducer	\$299.99
A80351	CPT-100DVS Transom Mount Chirp Transducer, Depth & Temp, Direct connect to CP100 & xx8 MFDs (10m cable)	\$149.99
A80277	CPT-110 Plastic Through Hull Chirp Transducer, Depth & Temp, Direct connect to CP100 & xx8 MFDs (10m cable)	\$329.99
A80350	CPT-120 Bronze Through Hull Chirp Transducer with High Speed Fairing, Depth & Temp, Direct connect to CP100 & xx8 MFDs (10m cable)	\$399.99
ACCESSORIES		
A80363	CPT-S Trolling Motor Mounting Kit	\$39.99
R70496	CPT-S Transom Bracket with Hardware	\$24.99
A80330	CPT-DV / CPT-DVS / CPT-100DVS Trolling Motor Mount	\$39.99
R70439	CPT-DV/DVS Transom Bracket with Hardware	\$34.99
A80273	Transducer Extension for CPT100, CPT110 & CPT120 (4m cable)	\$34.99



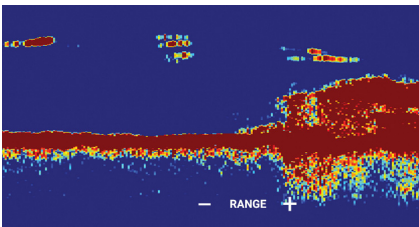
CP100: IN THE BOX

1. Sonar module
2. 1.0m (3.28 ft) power cable
3. Fixing screws
4. Documentation pack

CP370 SONAR



OFFSHORE AND COASTAL FISHING



The CP370 delivers exceptional clarity, sharper fish targets, and automatic operation using Raymarine's next-generation ClearPulse™ digital sonar processing. The CP370 boasts up to 1,000 watts of power and operates at 200kHz for inshore and 50kHz for offshore fishing. ClearPulse™ signal processing intelligently manages the CP370 sonar parameters in all conditions so anglers can spend more time fishing and less time adjusting the sonar.

CP370 MFD Compatibility

aSeries | cSeries | eSeries | eS Series | gS Series | C-Widescreen | G-Series- Classic | E-Classic | E-Widescreen | Axiom | Axiom+ | Axiom Pro | Axiom XL

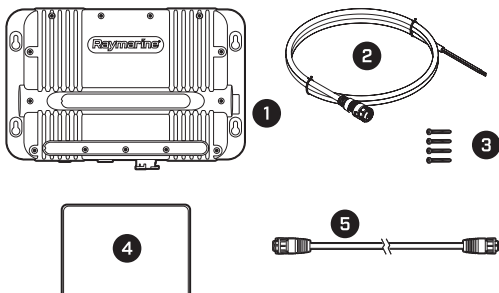
PART NO.	DESCRIPTION	MSRP
CP370		
CP370 SOUNDER MODULE		
E70297	CP370 ClearPulse 1KW Sonar Module	\$999.99
DEPTH – 600W TRANSDUCERS		
E66008	P79 Adjustable In-Hull Angle	\$199.99
E66013	P319 Low Profile Through Hull	\$199.99
E66014	Bronze B117 Low Profile Through Hull	\$274.99
DEPTH/TEMPERATURE – 600W TRANSDUCERS		
A80567	P74 Depth and Temp In-Hull Transducer with 9M Cable (CP370 connect 8-pin)	\$119.99
E66085	Bronze B60 D/T Through Hull with 20° Tilted Element Transducer	\$339.99
E66086	Bronze B60 D/T Through Hull with 12° Tilted Element Transducer	\$339.99
A80568	Stainless Steel SS60 Low Profile Through Hull Transducer w/0 Degree Tilted Element	\$499.99
A80569	Stainless Steel SS60 Low Profile Through Hull Transducer w/12 Degree Tilted Element	\$499.99
A80570	Stainless Steel SS60 Low Profile Through Hull Transducer w/20 Degree Tilted Element	\$499.99
E66077	P319 Urethane Low Profile Thru-Hull Transducer 600W	\$164.99

CP370 SONAR

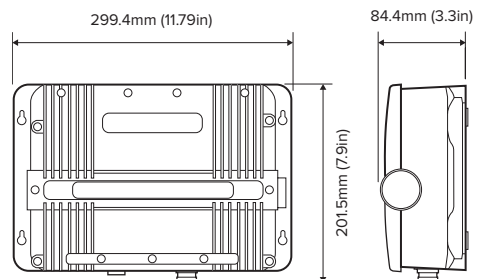
PART NO.	DESCRIPTION	MSRP
DEPTH/SPEED/TEMPERATURE - 600W TRANSDUCERS		
E66054	P66 Urethane D/S/T Transom Mount Transducer	\$189.99
A80566	P58 Urethane D/S/T Transom Mount Transducer - Discontinued when inventory is depleted	\$119.99
A66091	Bronze B744V D/S/T Through Hull Retractable Transducer (includes E66023 Fairing Block)	\$479.99
A66092	Bronze B744VL D/S/T Through Hull Retractable Transducer (includes E66023 Fairing Block)	\$599.99
DEPTH - 1KW HIGH PERFORMANCE TRANSDUCERS		
A66089	M260 D Transducer with in hull-kit	\$1,299.99
DEPTH/TEMPERATURE - 1KW HIGH PERFORMANCE TRANSDUCERS		
E66084	TM258 D/T Transom Mount Transducer with Transom Mount Bracket (DSM30/300 CP300/370 connect)	\$949.99
E66082	Bronze B258 D/T Through Hull Transducer (includes Fairing Block) (DSM30/300 & CP300/370 connect)	\$999.99
A102112	Bronze B164-12 D/T 12° 50/200 kHz Low Profile (DSM30/300 & CP300/370 connect)	\$1,199.99
A102113	Bronze B164-20 D/T 20° 50/200 kHz Low Profile Transducer (DSM30/300 & CP300/370 connect)	\$1,199.99
A102137	Bronze B164-0 D/T 0° 50/200 1kW Flush Transducer (DSM30/300 & CP300/370 connect)	\$1,199.99
A80451	Stainless Steel SS164 D/T 0° 50/200 1kW Through Hull Transducer (DSM30/300 & CP300/370 connect)	\$1,299.99
A66098	Stainless Steel SS164 D/T 12° 50/200 1kW Through Hull Transducer (DSM30/300 & CP300/370 connect)	\$1,299.99
A66099	Stainless Steel SS164 D/T 20° 50/200 1kW Through Hull Transducer (DSM30/300 & CP300/370 connect)	\$1,299.99
E66079	Bronze B260 D/T Broadband Through Hull Stem (includes Fairing Block) (DSM30/300 & CP300/370 connect)	\$1,599.99
SPEED/TEMPERATURE - TRANSDUCERS		
E66071	P120 S/T Retractable Through Hull Transducer	\$274.99
E66072	Bronze B120 S/T Low Profile Through Hull Retractable Transducer (includes Y Cable)	\$299.99
ACCESSORIES		
R69011	DSM/Radar Transducer Locking Ring Kit	\$29.99
E66010	5m Transducer Extension Cable with Removable Back-Shell	\$109.99
E66066	Transducer Adaptor Cable for DSM/CP transducer to MFD	\$94.99
E66023	B744V/B744VL Hi-Speed Fairing Block	\$89.99



CP370: IN THE BOX



1. Sonar module
2. 1.5m (5 ft) power cable
3. No.8 fixing screws
4. Documentation pack
5. 2m (6.56 ft) RayNet (Female to Female) network cable



CP470 & CP570 SONAR

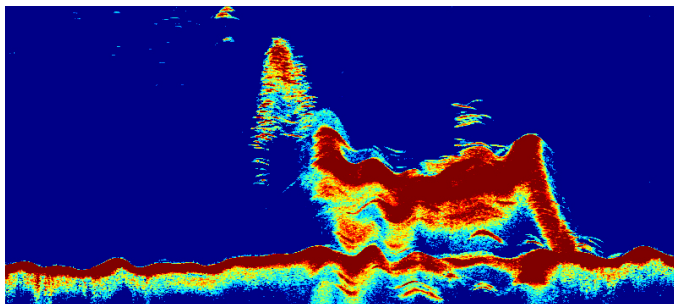


CP470
OFFSHORE AND COASTAL



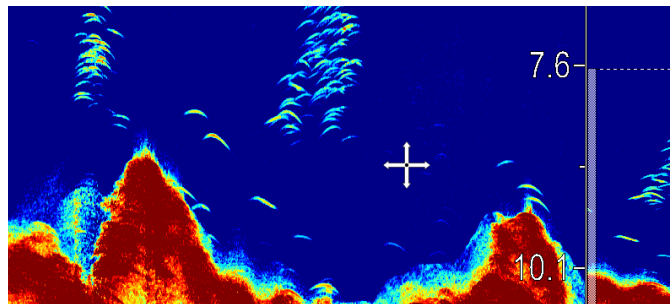
CP570
PROFESSIONAL & TOURNAMENT

With ten times the resolution of ordinary sonars, the CP470 and CP570 CHIRP sonar modules deliver sharper, more defined fish targets, and automatically filter out unwanted noise. Pair these powerful CHIRP sonar modules with any Axiom chartplotter, and you will never miss any of the action below.



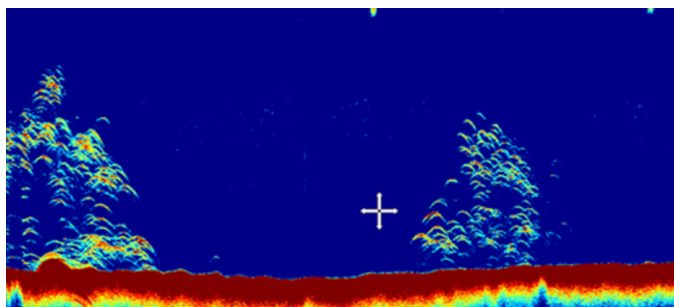
Serious Offshore Sonar

Using a choice of Low, Medium, or High frequencies the CP470, and CP570's advanced CHIRP transceivers can see through dense schools of baitfish, identify thermoclines, and simultaneously target desired game fish.



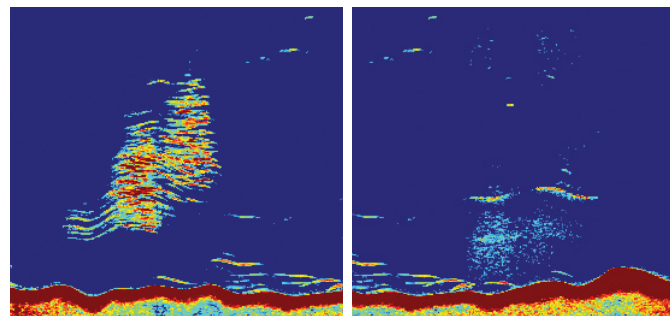
Best-in-Class Target Separation

The CP470 and CP570 deliver superior target definition and enhanced sensitivity using Raymarine's exclusive wide spectrum CHIRP sonar technology.



CP470 2kW CHIRP

Target fish, identify bait, and track the seafloor down to 10,000ft. (3,000m) with two adjustable CHIRP sonar channels.



CP570: Up to 4kW of Power

Step up to the CP570 with a combined 4kW of CHIRP sonar power. Hunt for fish in different parts of the water column with the CP570's two fully independent 2kW sonar channels.

CP470 & CP570 SONAR

PART NO.	DESCRIPTION	MSRP
CP470 & CP570		
CP470/CP570 SOUNDER MODULE		
E70298	CP470 Clear Pulse 470 CHIRP	\$1,399.99
E70258	CP570 Clear Pulse 570 CHIRP	\$2,299.99
CP470/CP570 300W - 600W TRANSDUCERS		
A80014	B765LH D/T Through Hull Low (300W) - High (600W) Transducer	\$849.99
A80016	B75L Bronze Low Profile D/T Through Hull Transducer 0° Angle (300W)	\$799.99
A80017	B75M Bronze Low Profile D/T Through Hull Transducer 0° Angle (600W)	\$899.99
A80018	B75H Bronze Low Profile D/T Through Hull Transducer 0° Angle (600W)	\$799.99
A80035	B75H Bronze Low Profile D/T Through Hull Transducer 12° Angle (600W)	\$799.99
A80036	B75M Bronze Low Profile D/T Through Hull Transducer 20° Angle (600W)	\$899.99
A80037	B75H Bronze Low Profile D/T Through Hull Transducer 20° Angle (600W)	\$799.99
CP470/CP570 1KW TRANSDUCERS		
A80043	B175M Bronze Low Profile 1000W D/T Through Hull Transducer 0° Angle	\$1,399.99
A80044	B175H Bronze Low Profile 1000W D/T Through Hull Transducer 0° Angle	\$1,299.99
A80045	B175L Bronze Low Profile 1000W D/T Through Hull Transducer 12° Angle	\$1,699.99
A80046	B175M Bronze Low Profile 1000W D/T Through Hull Transducer 12° Angle	\$1,399.99
A80047	B175H Bronze Low Profile 1000W D/T Through Hull Transducer 12° Angle	\$1,299.99
A80048	B175L Bronze Low Profile 1000W D/T Through Hull Transducer 20° Angle	\$1,699.99
A80049	B175M Bronze Low Profile 1000W D/T Through Hull Transducer 20° Angle	\$1,399.99
A80050	B175H Bronze Low Profile 1000W D/T Through Hull Transducer 20° Angle	\$1,299.99
A80319	B175H-W 1000W D/T Through Hull Wide Beam Transducer 0° Angle	\$1,599.99
A80320	B175H-W 1000W D/T Through Hull Wide Beam Transducer 12° Angle	\$1,599.99
A80321	B175H-W 1000W D/T Through Hull Wide Beam Transducer 20° Angle	\$1,599.99
A80010	B265LH D/T Through Hull Low-High Transducer	\$1,749.99
A80011	B265LM D/T Through Hull Low-Medium Transducer	\$1,949.99
A80322	B275LH-W 1000W D/T Through Hull Low-High Wide Beam Bronze Transducer with Fairing Block	\$2,499.99
A80539	B275LH-W 1000W D/T Short Stem Through Hull Low-High Wide Beam Bronze Transducer with Fairing Block	\$2,699.99
A80012	M265LH D In Hull Low-High Transducer	\$1,699.99
A80038	M265LM D In Hull Low-Medium Transducer	\$1,899.99
A80013	TM265 LH D/T Transom Mount Low-High Transducer	\$1,699.99
A80041	TM265 LM D/T Transom Mount Low-Medium Transducer	\$1,899.99
A80318	TM275LH-W 1000W D/T Transom Mount Low-High Wide Beam Transducer	\$2,199.99
A80325	PM275LH-W 1000W D/T Pocket/Keel Mount Low-High Wide Beam Transducer	\$2,249.99
A80504	SS175L Stainless Steel Low Profile 1000W D/T Through Hull Transducer 20° Angle	\$2,299.99
A80505	SS175M Stainless Steel Low Profile 1000W D/T Through Hull Transducer 20° Angle	\$2,299.99
A80506	SS175H-W Low Profile 1000W D/T Through Hull Wide Beam Transducer 20° Angle	\$2,299.99

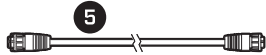
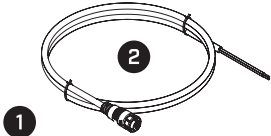
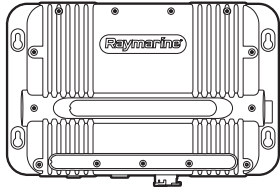
CP470 & CP570 SONAR

PART NO.	DESCRIPTION	MSRP
CP470/CP570 2KW TRANSDUCERS (NOTE: ALL -W TRANSDUCERS REQUIRE EXTENSION CABLE)		
A80039	R109 D/T Through Hull Low-High 2KW molded Transducer	\$3,199.99
A80040	R109 D/T Through Hull Low-Medium 2KW molded Transducer	\$3,299.99
A80323	R109LH-W 2000W D/T Through Hull Low-High molded Wide Beam Transducer	\$3,699.99
A80133	R111 D/T In Hull Low-High 2KW Molded Transducer	\$3,699.99
A80134	R111 D/T In Hull Low-Medium 2KW Molded Transducer	\$3,899.99
A80326	PM111LH-W 2000W D/T In Hull/Pocket/Keel Mount Low-High Wide Beam Transducer	\$3,199.99
A80378	PM411LM-W UltraWide 2KW Pocket/Keel-Mount Low-Medium CHIRP Transducer	\$5,699.99
A80377	R409LM-W UltraWide 2KW Through Hull Low-Medium CHIRP Transducer	\$5,999.99
CP470/CP570 3KW TRANSDUCERS (NOTE: ALL -W TRANSDUCERS REQUIRE EXTENSION CABLE)		
A80210	R509 D/T Through Hull Low-High Hi Performance 3KW Transducer	\$4,499.99
A80211	R509 D/T Through Hull Low-Medium Hi Performance 3KW Transducer	\$4,999.99
A80324	R509LH-W 3000W D/T Through Hull Wide Beam Transducer	\$5,299.99
A80212	R599 D/T In Hull Low-High Hi Performance 3KW Transducer	\$5,399.99
A80213	R599 D/T In Hull Low-Medium Hi Performance 3KW Transducer	\$4,599.99
CP470/CP570 ACCESSORIES		
A102146	CP470/CP570 Y-Cable	\$54.99
A102148	CP470/CP570 3m Transducer Extension Cable	\$54.99
A102150	CP470/CP570 5m Transducer Extension Cable	\$69.99
A80327	CP470/CP570 10m Transducer Extension Cable	\$124.99
A80328	Single B75/B175 Operation Cable	\$69.99
A80345	CP470-CP570 Speed-Temp Y-Cable	\$54.99
A80346	CP370/CP470/CP570 Power Cable	\$34.99

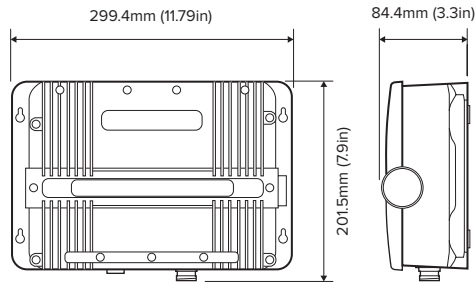
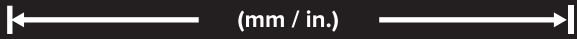
CP470 & CP570 SONAR



CP470 / CP570: IN THE BOX



1. Sonar module
2. 1.5 m (5 ft) power cable
3. No.8 fixing screws
4. Documentation pack
5. 2 m (6.56 ft) RayNet (Female) to RayNet (Female) network cable



QUANTUM RADAR



SAILING

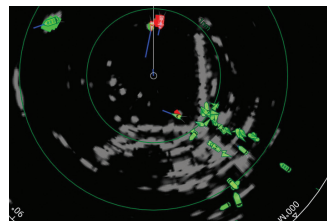
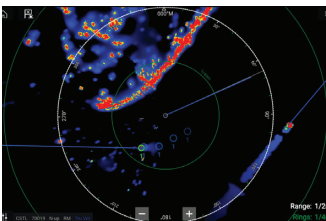


CRUISING



FISHING

Day and night, radar systems from Raymarine keep you aware of surrounding traffic, hazards and obstacles, approaching weather and so much more. Use your radar to navigate in dense fog or rain. Confirm your boat's position with super-accurate radar ranges. Let MARPA help you navigate safely through a crowded harbor. Enjoy map-like coastal detail when cruising offshore. Raymarine offers a wide range of radar solutions for all types and sizes of boats.



Compact Performance

Quantum radars use solid-state CHIRP pulse compression technology to deliver superior target awareness at both long and extremely short ranges. FLIR's exclusive ATX™ advanced target separation technology displays targets like boats, buoys, and landmarks with exceptional resolution and separation quality.

Energy Efficient

Quantum radars solid-state technology consumes very little power, making Quantum especially friendly to vessels running on battery power. Solid-state radar technology also generates very low radiated emissions.

Quantum 2 with Doppler

Quantum 2 with Doppler elevates your awareness by detecting radar frequency shifts returned by moving versus stationary targets. Quantum 2 then color codes inbound targets red (dangerous) and outbound targets green (safe), making it easy to discern potentially hazardous situations when navigating in high-traffic areas.

Simple Installation

With every Raymarine Quantum system, you'll also benefit from a rugged and lightweight design that is easy to install. Quantum 2 can be installed in a traditionally wired configuration, or use built-in Wi-Fi technology to connect directly to your Raymarine MFD.

NEW

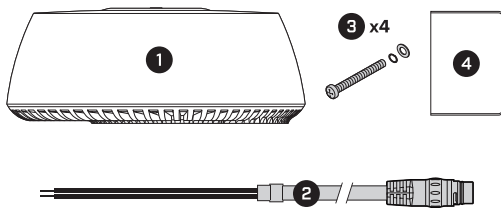
Quantum is now available in black.

QUANTUM RADAR

PART NO.	DESCRIPTION	MSRP
RADAR		
QUANTUM, PULSE COMPRESSED CHIRP RADAR		
E70344	Quantum 18" Q24W (WiFi Model) w/ 10m Power Cable	\$1,839.99
E70210	Quantum Q24C 18" Radar with 10m Power Cable	\$1,994.99
T70243	Quantum Q24C 18" Radar with 10m Power and 10m Data Cable	\$2,049.99
T70266	Quantum Q24C 18" Radar with 15m Power and 15m Data Cable	\$2,099.99
QUANTUM 2 CHIRP RADAR WITH DOPPLER COLLISION AVOIDANCE TECHNOLOGY		
E70498	Quantum 2 Q24D Doppler 18" Radar - No Cables	\$2,259.99
T70416	Quantum 2 Q24D Doppler 18" Radar with 10m Power and Data Cable	\$2,309.99
T70417	Quantum 2 Q24D Doppler 18" Radar with 15m Power and Data Cable	\$2,364.99
BLACK QUANTUM 2 DOPPLER, PULSE COMPRESSED CHIRP RADAR		
E70498-B	Black Quantum Q24D Doppler 18" Radar with no Power or Data Cable	\$2,499.99
T70549	Black Quantum Q24D Doppler 18" Radar with 10m Power and Data Cable	\$2,549.99
T70550	Black Quantum Q24D Doppler 18" Radar with 15m Power and Data Cable	\$2,604.99
QUANTUM CABLES		
A80274	Quantum Data Cable 5m with RayNet connector	\$84.99
A80275	Quantum Data Cable 10m with RayNet Connector	\$119.99
A80310	Quantum Data Cable 15m with RayNet Connector	\$199.99
A80311	Quantum Data Cable 25m with RayNet Connector	\$314.99
A80309	Quantum Power Cable 10m with bare wires	\$64.99
A80369	Quantum Power Cable 15m with bare wires	\$94.99
A80308	Quantum Power-Data Adapter Cable	\$44.99
HD COLOR RADOME RADAR SCANNERS		
E92142	4kW 18" (456mm) HD Color Radome no Cable	\$2,049.99
T70168	4kW 18" (456mm) HD Color Radome + 10m RayNet Cable	\$2,099.99
E92143	4kW 24" (608mm) HD Color Radome no Cable	\$3,044.99
T70169	4kW 24" (608mm) HD Color Radome + 10m RayNet Cable	\$3,099.99

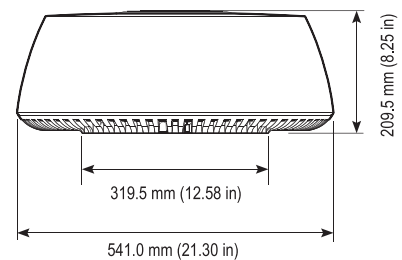


QUANTUM / QUANTUM 2: IN THE BOX

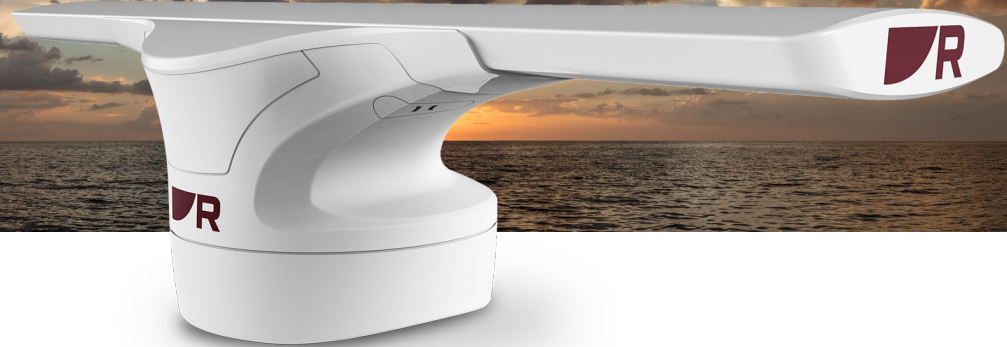


1. Quantum™ Radome
2. 10 m (32.8 ft.) Power cable
3. M8 mounting bolts with spring washers and flat washers
4. Documentation pack (including mounting template)

← (mm / in.) →



CYCLONE RADAR



CRUISING / WORKBOAT/
LAW ENFORCEMENT



FISHING

Cyclone Solid-State Open Array Radar

Cyclone radars are the ultimate expression of design, rugged performance, and unmatched situational awareness. Tackle the harshest conditions with the confidence of Cyclone's solid-state CHIRP pulse compression technology and aircraft wing-inspired design. Each model features innovative detection capabilities, including Cyclone Bird Mode, RangeFusion™ technology, and high-speed 60 rpm imaging.

Engineered for Extremes

The aircraft-wing-inspired design delivers a best-in-class 100-knot wind rating and meets the commercial grade IEC 62388 standard for ship borne radar.

Real-Time Target Tracking

Fast 60 RPM rotational speed delivers 360 degrees of awareness and accurate target tracks in real-time.

Safer Navigation with Doppler

Doppler target tracking simplifies the interpretation of dangerous and safe targets for added safety.

Professional grade ARPA

Cyclone automatically tracks up to 50 targets using the same advanced ARPA technology trusted by the United States Coast Guard.

RangeFusion™ Technology

Cyclone combines short and long pulses into a single high clarity radar image, simultaneously delivering exceptional short-range and long-range targets.

Enhanced Cyclone Bird Mode

Cyclone CHIRP pulse compression technology intelligently optimizes gain and tune settings for imaging distant sea birds.

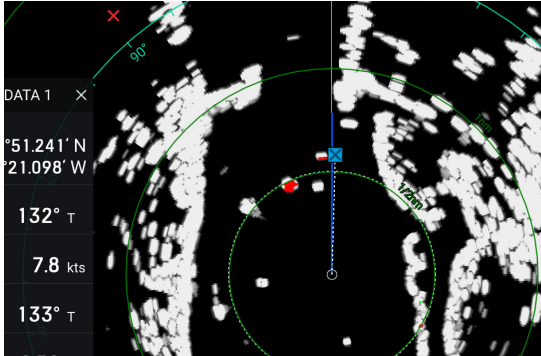
Three Array Size Options

4- and 6-foot options deliver superior target separation and range, while the 3-foot array provides open array performance in tight spaces.

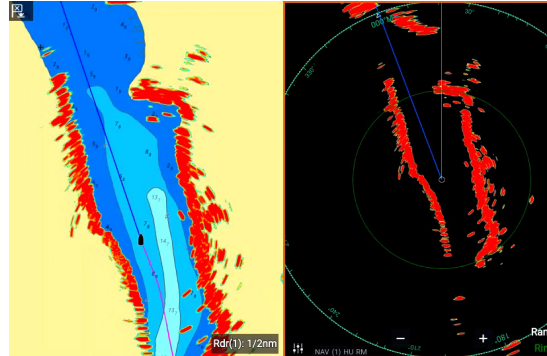
Two Power Output Options

The base model Cyclone operates at 55 Watts. Step up to improved weather and long-range performance with 110 Watt Cyclone Pro.

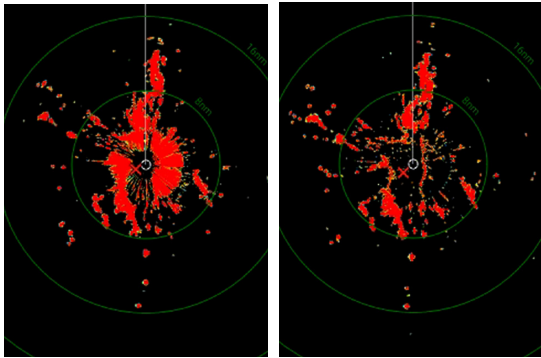
CYCLONE RADAR



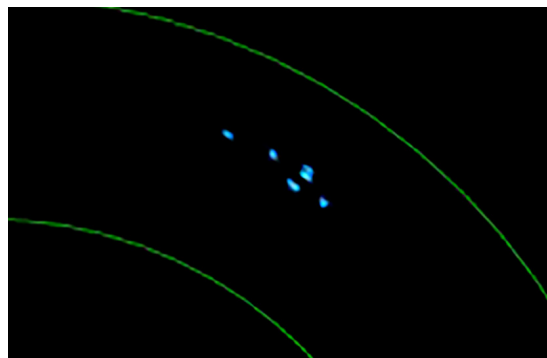
Doppler Target Tracking



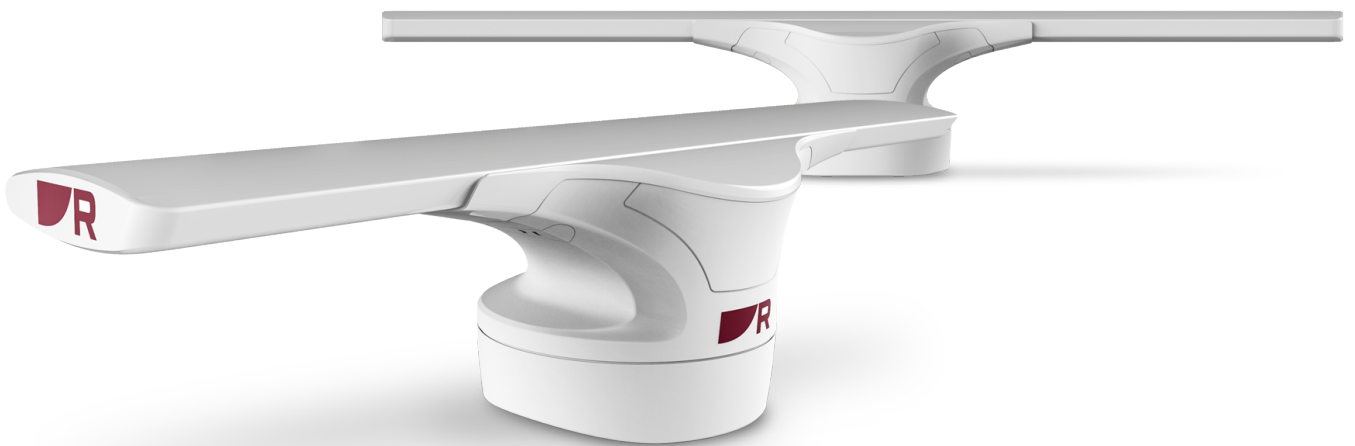
Precise shore line detail and long range target separation



RangeFusion combines short and long pulses into single image



Performance tuned for locating sea birds



CYCLONE RADAR

PART NO.	DESCRIPTION	MSRP
CYCLONE COLOR OPEN ARRAY ANTENNA PACKS		
T70491	Cyclone 55 Watts 3ft Open Array Radar with 15M Cables	\$6,999.99
T70492	Cyclone 55 Watts 4ft Open Array Radar with 15M Cables	\$7,499.99
T70493	Cyclone 55 Watts 6ft Open Array Radar with 15M Cables	\$8,249.99
T70494	Cyclone Pro 110 Watts 3ft Open Array Radar with 15M Cables	\$8,499.99
T70495	Cyclone Pro 110 Watts 4ft Open Array Radar with 15M Cables	\$8,999.99
T70496	Cyclone Pro 110 Watts 6ft Open Array Radar with 15M Cables	\$9,749.99
T70497	Cyclone 250 Watts 3ft Open Array Radar with 15M Cables	\$12,074.99
T70498	Cyclone 250 Watts 4ft Open Array Radar with 15M Cables	\$12,599.99
T70499	Cyclone 250 Watts 6ft Open Array Radar with 15M Cables	\$13,389.99
CYCLONE OPEN ARRAY COMPONENTS		
E70620	Cyclone Pedestal 55 Watts	\$5,249.99
E70621	Cyclone Pro Pedestal 110 Watts	\$6,499.99
E70622	Cyclone Ultra Pedestal 250 Watts	\$9,499.99
E70628	Cyclone 3ft Open Array	\$1,999.99
E70629	Cyclone 4ft Open Array	\$2,499.99
E70630	Cyclone 6ft Open Array	\$3,249.99
CYCLONE CABLES		
A80651	Cyclone Power Cable, 5M	\$104.99
A80652	Cyclone Power Cable, 10M	\$159.99
A80653	Cyclone Power Cable, 15M	\$209.99
A80654	Cyclone Power Cable, 25M	\$339.99
A80656	Quantum/Cyclone Data Cable, 5M	\$104.99
A80657	Quantum/Cyclone Data Cable, 10M	\$159.99
A80658	Quantum/Cyclone Data Cable, 15M	\$209.99
A80659	Quantum/Cyclone Data Cable, 25M	\$339.99

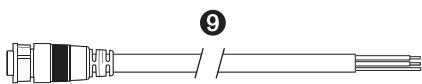
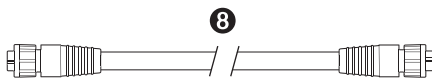
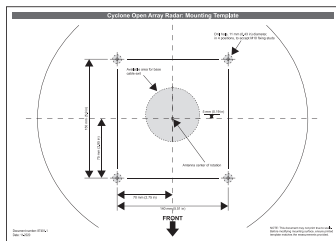
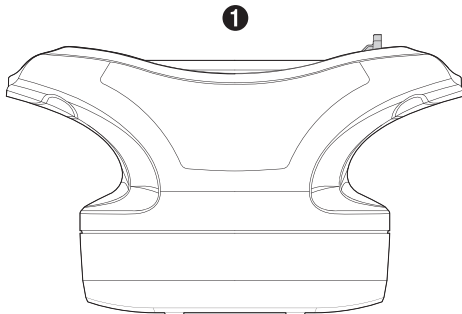
CYCLONE RADAR

PART NO.	DESCRIPTION	MSRP
MAGNUM COLOR OPEN ARRAY ANTENNA PACKS		
T70408	4kW Magnum with 48" Open Array and 15M RayNet Cable (Includes VCM100)	\$5,399.99
T70410	4kW Magnum with 72" Open Array and 15M RayNet Cable (Includes VCM100)	\$5,999.99
T70412	12kW Magnum with 48" Open Array and 15M RayNet Cable (Includes VCM100)	\$6,999.99
T70414	12kW Magnum with 72" Open Array and 15M Cable (Includes VCM100)	\$7,649.99
MAGNUM OPEN ARRAY COMPONENTS		
E70484	4kW Magnum Pedestal with VCM100	\$3,999.99
E70487	12kW Magnum Pedestal with VCM100	\$5,599.99
E70490	Magnum 48" Open Array	\$1,199.99
E70491	Magnum 72" Open Array	\$1,849.99
E52091	VCM100 – Voltage Converter Module (spare)	\$314.99
RADAR SCANNER CABLES		
A80227	5m Digital Radar Cable with RayNet Connector	\$149.99
A80228	10m Digital Radar Cable with RayNet Connector	\$209.99
A80229	15m Digital Radar Cable with RayNet Connector	\$244.99
A80230	25m Digital Radar Cable with RayNet Connector	\$369.99
A55076D	5m Digital Radar Cable (RJ45 Connector)	\$149.99
A55077D	10m Digital Radar Cable (RJ45 Connector)	\$209.99
A55078D	15m Digital Radar Cable (RJ45 Connector)	\$244.99
A55079D	25m Digital Radar Cable (RJ45 Connector)	\$369.99
A92141D	2.5m Digital Radar Extension Cable	\$94.99
A55080D	5m Digital Radar Extension Cable	\$159.99
A55081D	10m Digital Radar Extension Cable	\$209.99
A80160	RayNet (F) to SeaTalkHS (F) adaptor - 400mm	\$74.99
RADOME MAST MOUNTS		
A80382	ScanStrut Quantum Radome Mast Mount	\$504.99
M92722	ScanStrut Mast Mount Bracket for 18" Radome Scanner	\$569.99
M92698	ScanStrut Mast Mount Bracket for 24" Radome Scanner	\$514.99
X10006-SCA	Scanstrut Radar Guard for M92722 suitable for 18" Radome (not compatible with Quantum)	\$324.99
X10000-SCA	ScanStrut Self Leveling Mast Mount for 18"/24" Radome Scanner	\$1,474.99
APT-150-01	ScanStrut 5" PowerTower for Quantum & HD Radome	\$429.99
APT-250-01	ScanStrut 10" PowerTower for Quantum & HD Radome	\$449.99
ACCESSORIES		
A80007	HS-5 Network Switch (RayNet)	\$359.99
A80731	RNS-5 - 5 Port RayNet Gigabit Switch	\$399.99
A80162	RayNet (M) to RayNet (M) cable - 100mm	\$74.99
E55060	SeaTalkHS Crossover Coupler	\$34.99
4115028	Connector, RF45 Waterproof Enclosure	\$24.99
DS21B-P	Magnum Radar Cable Seal (ScanStrut)	\$39.99

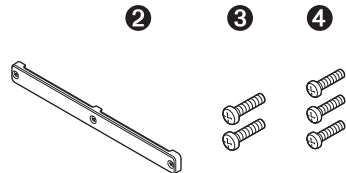
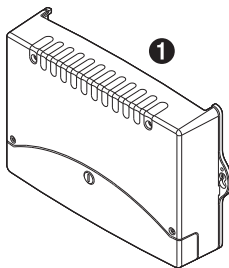
CYCLONE RADAR



CYCLONE: IN THE BOX

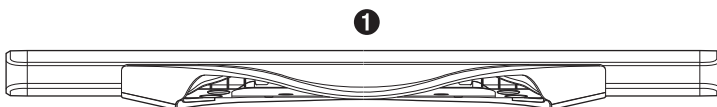


1. Pedestal
2. M10 Stud x4
3. M10 Nut x8
4. M10 Spring Washer x4
5. M10 Plain washer x4
6. Mounting gasket
7. Mounting template
8. Radar data cable
9. Power cable



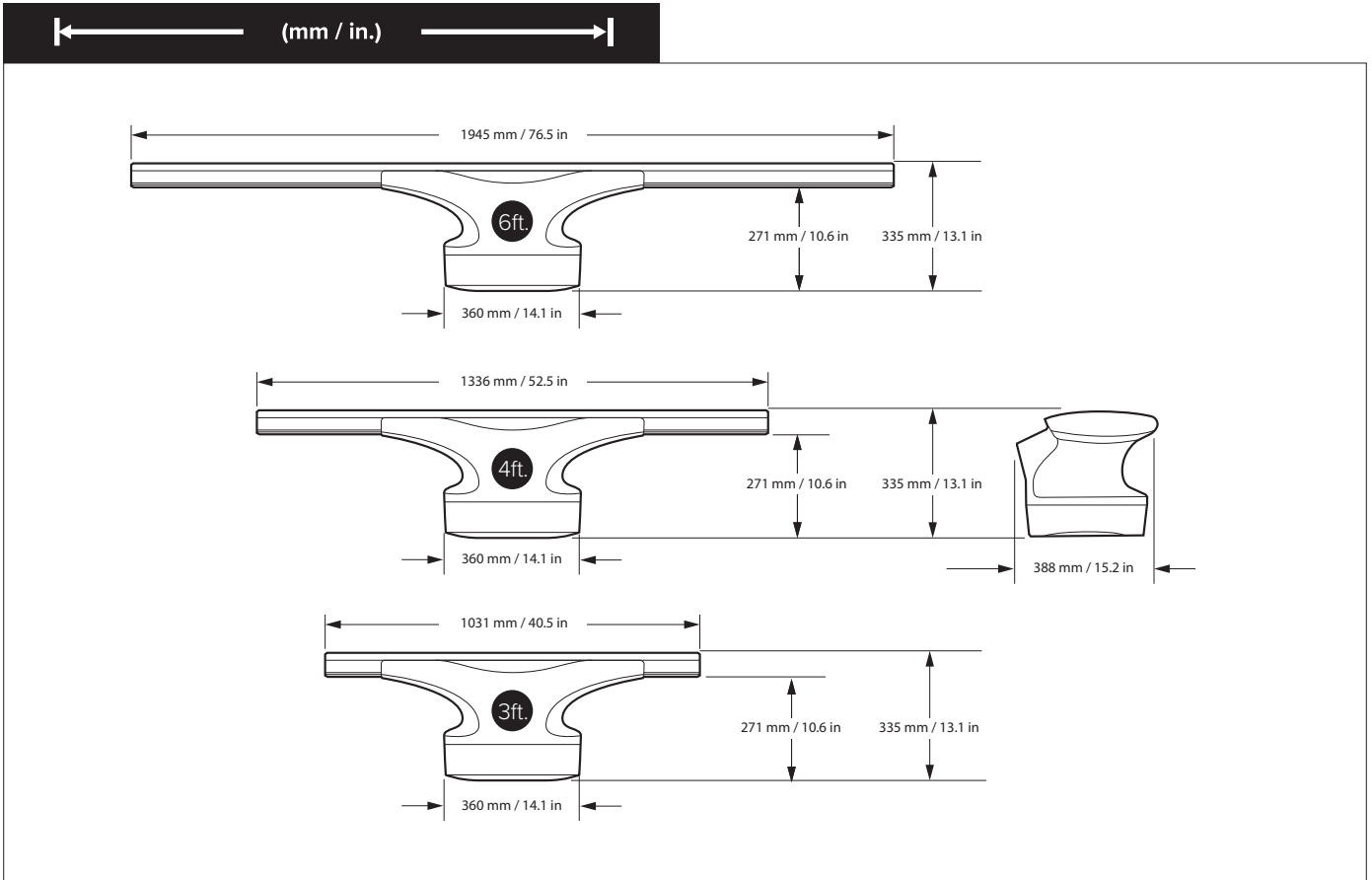
1. VCM100
2. Cable clamp
3. VCM100 mounting screw x2
4. Cable clamp mounting screw x3

NOTE: The VCM100 is included with the Cyclone pedestal assembly



1. Antenna
2. Threaded alignment guide
3. Washer
4. Spring washer
5. Nut

CYCLONE RADAR



AUTOPILOTS



SAILING



CRUISING



FISHING

The culmination of Raymarine's autopilot expertise and advanced aerospace guidance technology, Evolution Autopilots, delivers a new level of precision steering control. Each Evolution Autopilot system consists of the following components: an Evolution 9-axis sensor core, an actuator control unit (ACU), a drive mechanism, and a control head.

EV-200 INBOARD

The EV200 system pack controls vessels with any Type 1 drive unit (Hydraulic, Linear, Sail or Power).



EV-1

ACU-200

p70Rs

p70s



Type 1 Linear Drive



Type 1 Rotary Drive



Type 1 Hydraulic Pump

EV-400 INBOARD

The EV400 pack controls vessels with any Type 1 to Type 3 mechanical or hydraulic drive units.



EV-1

ACU-400

p70Rs

p70s



Type 1/2 Linear Drive



Type 1/2 Rotary Drive



Type 1/2/3 Hydraulic Pump



EV-2

p70Rs

EV-200 DRIVE-BY-WIRE INBOARD

EV-2 has been designed for the latest drive-by-wire steering systems and connects directly to Raymarine's SeaTalk^{NG} bus.

Includes: Volvo; Teleflex Optimus; Xenta; Yamaha and more.



EV-1

ACU-300

p70Rs

EV-300 SOLENOID INBOARD

The EV300 system is for use with electric solenoids that control the vessels hydraulic steering system.

AUTOPILOTS

INBOARD AUTOPILOTS							
Drive Units	RAM Capacity cc / cu in (Hydraulic)	Vessel Displacement kg / lbs	Autopilot Control Unit				
			EV-100	EV150	EV-200	EV-300	EV-400
Type 0.5L Hydraulic Pump	50–125 / 3–7.6	NA	●	●			
Type 1 Hydraulic Pump	80–230 / 4.9–14	NA		●	●		
Type 1 Mechanical Rotary / Linear Drives		11,000 / 24,000			●		
Type 1 Universal Stern Drives		NA			●		
Type 2 Hydraulic Pump	230–350 / 14–21	NA					●
Type 3 Hydraulic Pump	350–500 / 21–30.5	NA					●
Type 2 Hydraulic Linear		22,000 / 48,000					●
Type 3 Hydraulic Linear		35,000 / 77,000					●
Type 2 Short Mechanical Linear Drives		15,000 / 33,000					●
Type 2 Long Mechanical Linear Drives		20,000 / 44,000					●
Type 2 Mechanical Rotary Drives		20,000 / 44,000					●
Solenoid Drive Units		NA				●	
ZF Saildrive Systems		NA					●



EV-100 WHEEL

The EV-100 wheel pilot comprises a fully enclosed wheel-drive for simple installation and superb autopilot performance.



EV-100 TILLER

The Raymarine EV-100 Tiller Pilots are perfect for large tiller steered yachts up to 6,000kg (13,200 lbs) displacement.



EV-100/EV-150 POWER PILOT

For single outboard powered boats with hydraulic steering, the EV-100 and EV-150 deliver perfect steering using Raymarine's exclusive Hydro-Balance™ technology.

COCKPIT AUTOPILOTS						
Cockpit Pilot Description	Maximum Displacement	Vessel Type	Pack Contents			
			EV	ACU	Control Head	Drive
EV-100 Wheel	7,500kg (16,000lbs)	Sail	EV-1	ACU-100	p70s	Wheel Drive
EV-100 Tiller	6,000kg (13,200lbs)	Sail	EV-1	ACU-100	p70s	Tiller Drive

Remember to always take the fully laden displacement weight of your vessel into account (often 20% above the designed displacement).

AUTOPILOTS

PART NO.	DESCRIPTION	MSRP
AUTOPILOT		
EVOLUTION SYSTEM PACKS WITH DRIVES, NO CONTROL HEAD		
T70248	EV-100 Wheel Pilot, ACU-100, EV1 Sensor Core, EV1 Cabling kit & Wheel Drive. Note MFD or autopilot control head is required	\$1,449.99
T70249	EV-100 Tiller Pilot, ACU-100, EV1 Sensor Core, EV1 Cabling kit & Tiller Drive. Note MFD or autopilot control head is required	\$1,449.99
T70250	EV-100 Power Pilot, ACU-100, EV1 Sensor Core, EV1 Cabling kit & 0.5l hydraulic pump. Note MFD or autopilot control head is required	\$1,349.99
EVOLUTION SYSTEM PACKS WITH DRIVES		
T70154	EV-100 Power Pilot with p70Rs control head, ACU-100, EV1 Sensor Core, EV1 Cabling kit & 0.5l hydraulic pump	\$1,699.99
T70153	EV-100 Tiller Pilot with p70s control head, ACU-100, EV1 Sensor Core, EV1 Cabling kit & Tiller Drive	\$1,799.99
T70152	EV-100 Wheel Pilot with p70s control head, ACU-100, EV1 Sensor Core, EV1 Cabling kit & Wheel Drive	\$1,799.99
T70330	EV-150 Power Pilot with p70Rs control head, ACU-150, EV1 Sensor Core, EV1 Cabling kit & 1.0L hydraulic pump	\$2,249.99
T70157	EV-200 Hydraulic Autopilot with p70Rs control head, ACU-200, EV1 Sensor Core, EV1 Cabling kit & Type 1 Hydraulic pump	\$3,249.99
T70158	EV-200 Linear Autopilot with p70s control head, ACU-200, EV1 Sensor Core, EV1 Cabling kit & Type 1 Mechanical Linear drive	\$3,699.99
EVOLUTION SYSTEM PACKS		
T70281	EV-100 Wheel Pilot with p70s control head & ACU-100, EV1 Sensor Core, EV1 Cabling kit (suitable for 0.5l Hydraulic, Wheel & Tiller drives)	\$1,349.99
T70407	EV-150 Power Pilot with p70Rs control head & ACU-150, EV1 Sensor Core, EV1 Cabling kit (suitable for 1.0L Hydraulic Drive)	\$1,549.99
T70155	EV-200 Sail Pilot with p70s control head & ACU-200, EV1 Sensor Core, EV1 Cabling kit (suitable for Type 1 drives)	\$2,199.99
T70156	EV-200 Power Pilot with p70Rs control head & ACU-200, EV1 Sensor Core, EV1 Cabling kit (suitable for Type 1 drives)	\$2,199.99
T70160	EV-300 Solenoid Autopilot with p70Rs control head & ACU-300, EV1 Sensor Core, EV1 Cabling kit (suitable for Solenoid drives)	\$3,499.99
T70164	EV-DBW Autopilot with p70Rs control head, EV2 Sensor Core, EV2 Cabling kit (suitable for drive by wire steering systems)	\$2,999.99
T70214	EV-DBW Volvo Edition Autopilot with p70Rs control head, EV2 Sensor Core, EV2 Cabling kit (direct Volvo IPS /Aquatic system connection)	\$2,999.99
T70161	EV-400 Sail Autopilot with p70s control head & ACU-400, EV1 Sensor Core, EV1 Cabling kit (suitable for Type 2 & 3 drives)	\$3,499.99
T70162	EV-400 Power Autopilot with p70Rs control head & ACU-400, EV1 Sensor Core, EV1 Cabling kit (suitable for Type 2 & 3 drives)	\$3,499.99
AUTOPILOT CONTROL UNIT		
E70328	p70s Autopilot Control Head (Sail)	\$629.99
E70329	p70Rs Autopilot Control Head (Power)	\$714.99
A80532	Autopilot Follow-On Teller Steer Control Head (Standby - Power Steer - Standby)	\$714.99
A80602	Autopilot Follow-On Tiller Steer Control Head (Auto - Power Steer - Auto)	\$714.99
EVOLUTION COMPONENTS		
E70096	Evolution EV1 Sensor Core	\$789.99
E70097	Evolution EV2 Sensor Core	\$2,309.99
E70098	ACU-100 Actuator Control Unit	\$524.99
E70430	ACU-150 Actuator Control Unit	\$734.99
E70099	ACU-200 Actuator Control Unit	\$944.99
E70139	ACU-300 Actuator Control Unit	\$1,994.99
E70100	ACU-400 Actuator Control Unit	\$2,099.99
A80737	EV100 Tiller Drive and Installation Kit	\$944.99

AUTOPILOTS

PART NO.	DESCRIPTION	MSRP
EVOLUTION ACCESSORIES		
R70160	Evolution Cabling Kit	\$199.99
R70192	Evolution Cabling Kit EV-2	\$94.99
R70161	Evolution EV-unit seal pack	\$34.99
R70162	Evolution EV-unit wall bracket	\$54.99
A18084	Wheel Pilot Clutch Kit	\$24.99
E15023	SmartController Wireless Autopilot Remote complete with Base Station	\$684.99
E15024	S100 Wireless Autopilot Remote Complete with Base Station	\$524.99
A18104	S100 Controller only	\$314.99
A18105	SmartController only	\$524.99
A18119	SmartController Battery Pack	\$64.99
A18106	Base Station	\$254.99
A80355	Black Bezel for i50/60/70/Pilots (eS series style)	\$19.99
R70663	Black Suncover i50/i60/i70/p70/i70s/p70s (AXIOM style)	\$19.99
R70664	Black Suncover for p70R/p70Rs (AXIOM style)	\$19.99
A80356	Gunmetal Bezel for i50/60/70/Pilots (eS series style)	\$19.99
A80357	Grey Suncover i50/i60/i70/p70/i70s/p70s (eS series style)	\$19.99
A80358	Grey Suncover for p70R/p70Rs (eS series style)	\$19.99
R70368	Black Bezel for i50/60/70/Pilots (a, c, e series style)	\$19.99
R22168	Gunmetal Bezel for i50/60/70/Pilots (a, c, e series style)	\$19.99
R22169	i50 / i60 / i70 / p70 Suncover (a, c, e, series style)	\$19.99
R22174	p70R Suncover (a, c, e series style)	\$18.99
ENGINE CONTROL INTERFACE & ACCESSORIES		
E70227	ECI-100 Universal Engine and Control Interface	\$369.99
A80649	Volvo Penta Gateway, 1-6 Engines	\$1,259.99
E70240	Volvo Engine EVC Link Cable (1M)	\$104.99
E70241	Volvo Engine Y-Loom cable	\$104.99
E70242	Yamaha Command-Link Cable 1M	\$104.99
E70214	Autopilot Gateway Yamaha Helm Master System	\$1,259.99
E70305	Caterpillar Engine 12 Pin Link Cable (400mm)	\$104.99
E70260	NMEA 2000 Devicenet male to Devicenet female cable (2m)	\$104.99
STERN DRIVE UNIT		
E12026	Universal I/O Drive Unit	\$1,364.99
M81138	Sterndrive Drive Unit	\$1,154.99
ROTARY DRIVE UNITS		
M81135	Type 1/12v Rotary Drive	\$1,889.99
M81136	Type 2/12v Rotary Drive	\$2,154.99
M81137	Type 2/24v Rotary Drive	\$2,204.99
HYDRAULIC PUMPS		
E12139	Type 0.5/12v Hydraulic Pump	\$734.99
M81120	Type 1/12v Hydraulic Pump	\$944.99
M81121	Type 2 /12v Hydraulic Pump	\$1,154.99
M81122	Type 3/12v Hydraulic Pump	\$1,469.99
M81119	Type 1/24v Hydraulic Pump	\$1,104.99
M81123	Type 2/24v Hydraulic Pump	\$1,209.99
M81124	Type 3/24v Hydraulic Pump	\$1,469.99

AUTOPILOTS

PART NO.	DESCRIPTION	MSRP
HYDRAULIC LINEAR DRIVES		
E12207	Type 2/12v Hydraulic Linear Drive	\$3,464.99
E12208	Type 2/24v Hydraulic Linear Drive	\$3,519.99
M81202	Type 3/12v Hydraulic Linear Drive	\$3,464.99
M81203	Type 3/24v Hydraulic Linear Drive	\$3,519.99
MECHANICAL LINEAR DRIVE UNITS		
M81130	Type 1/12v Short Shaft Linear Drive	\$2,099.99
M81131	Type 2/12v Short Shaft Linear Drive	\$2,499.99
M81132	Type 2/12v Long Shaft Linear Drive	\$2,519.99
M81133	Type 2/24v Short Shaft Linear Drive	\$2,509.99
M81134	Type 2/24v Long Shaft Linear Drive	\$2,519.99
ACCESSORIES		
A18127	Verado Hydraulic Hose Kit	\$419.99
A80280	Hydraulic Pump Top Port Adaptor	\$129.99
D165	Girdle Support Bracket Assembly	\$104.99
D166	Adaptor Pin Bracket Assembly	\$159.99
D250	ST Steel Rudder Reference Ball Pin	\$34.99
D309	Sterndrive Bracket Mercruiser V8	\$524.99
M81166	D.P. Check Valve	\$264.99
M81167	Solenoid 12v	\$419.99
M81182	13 Tooth SPocket	\$74.99
M81183	15 Tooth SPocket	\$159.99
M81105	Rudder Angle Transducer	\$294.99

AUTOPILOTS



ST1000/ST2000 TILLER

Removable Cockpit Autopilots for Tiller Steered Yachts. Tiller pilots have consistently been the world's most popular pilot.

Recommended Maximum Displacement Raymarine ST1000: 3,000kg (6,600lbs)
 Raymarine ST2000: 4,500kg (10,000lbs) Remember to always take the fully laden displacement weight of your vessel into account (often 20% above the designed displacement).

PART NO.	DESCRIPTION	MSRP
TILLER PILOTS		
A12004	ST1000+ Tiller	\$524.99
A12005	ST2000+ Tiller	\$629.99
COCKPIT ACCESSORIES - TILLER		
Q047	Tiller Drive Only	\$839.99
D001	Tiller Pin (5 per Pack)	\$19.99
D002	Mounting Socket (5 per Pack)	\$29.99
D003	Pushrod Extension 25mm (1")	\$29.99
D004	Pushrod Extension 51mm (2")	\$29.99
D005	Pushrod Extension 76mm (3")	\$29.99
D006	Pushrod Extension 102mm (4")	\$29.99
D007	Pushrod Extension 127mm (5")	\$29.99
D008	Pushrod Extension 153mm (6")	\$29.99
D009	Tiller Bracket 25mm (1")	\$49.99
D010	Tiller Bracket 51mm (2")	\$49.99
D011	Tiller Bracket 76mm (3")	\$49.99
D159	Tiller Bracket 102mm (4")	\$49.99
D160	Tiller Bracket 127mm (5")	\$49.99
D337	ST1/2000+ Tiller Pilot Plug	\$39.99
D338	ST1/2000+ Tiller Pilot Socket	\$54.99
D339	ST1/2000+ Tiller Pilot Plug and Socket	\$74.99
D026	Pedestal Assembly 38mm (1.5")	\$84.99
D027	Pedestal Assembly 51mm (2")	\$84.99
D028	Pedestal Assembly 64mm (2.5")	\$84.99
D029	Pedestal Assembly 76mm (3")	\$84.99
D030	Pedestal Assembly 89mm (3.5")	\$84.99
D031	Cantilever Socket Assembly	\$84.99
G004	Tiller Arm End Cap	\$19.99
COCKPIT ACCESSORIES - WHEEL		
E12093	Wheel Drive (inc. Fitting Kit)	\$734.99
E15017	Wheel Drive Flat Pedestal Kit	\$44.99
E15018	Wheel Drive GOIOT Installation Kit	\$44.99
A18083	Replacement Belt for Grey Wheel Drive	\$64.99

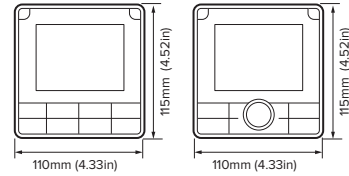
AUTOPILOTS



P70RS/P70S

1. Documentation
2. Panel seal gasket
3. 400 mm (15.7 in) SeaTalkng spur cable (A06038)
4. p70s or p70Rs Pilot controller
5. Suncover
6. Spare gunmetal bezel (A80354)
7. Mounting fixings x 4

(mm / in.)



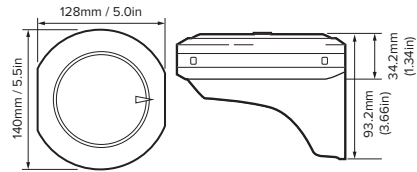
p70s / p70Rs



EV1/EV2

1. Mounting trim
2. EV-1E/V-2
3. Sealing ring
4. Mounting tray
5. Sealing ring
6. Wall mounting bracket
7. Screws for deck or bracket mounting
8. Screws for wall bracket
9. Document pack
10. 10 m(3.3ft) SeaTalk^{ng} spur cable

(mm / in.)



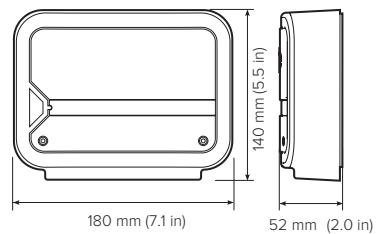
EV-1 / EV-2



ACU-100/ACU-150

1. ACU unit
2. Documentation pack
3. Screws (pan head type)
4. SeaTalk^{ng} spur to bare wires cable 1 m (3.3 ft)

(mm / in.)



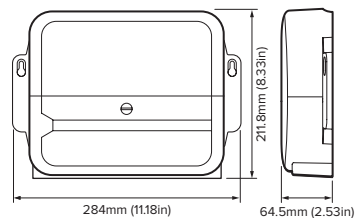
ACU-100/ACU-150



ACU-200 / 300 / 400

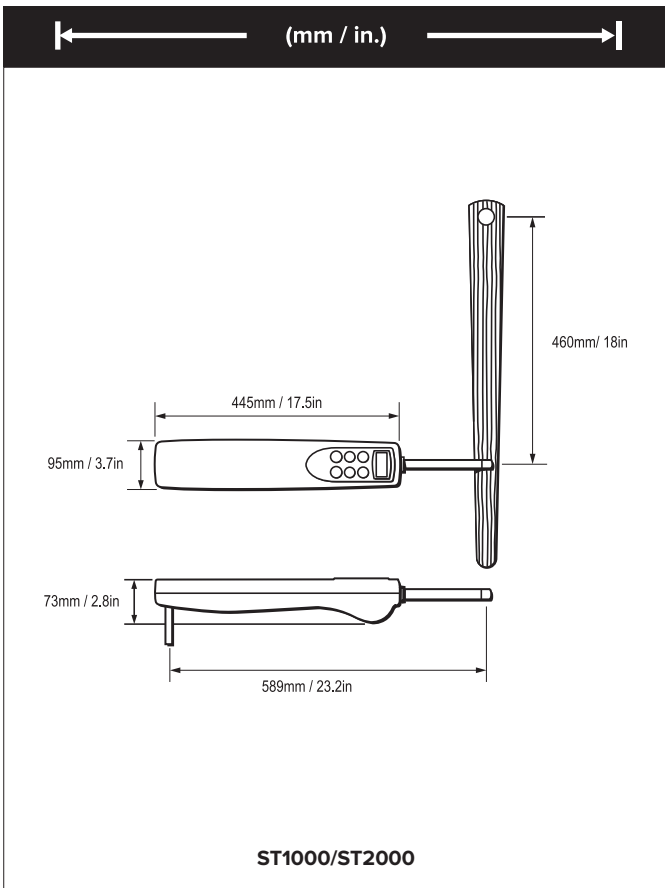
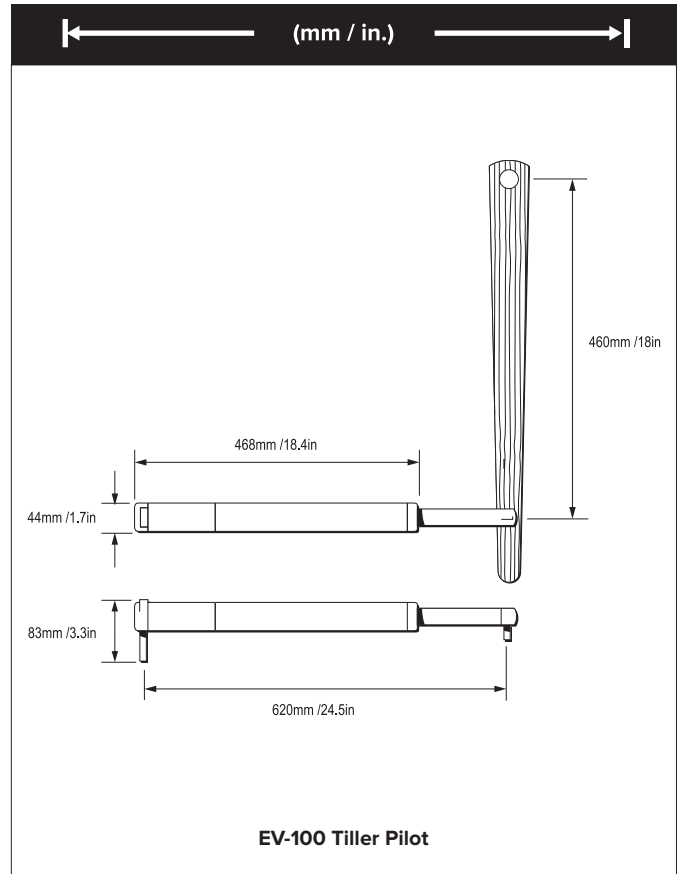
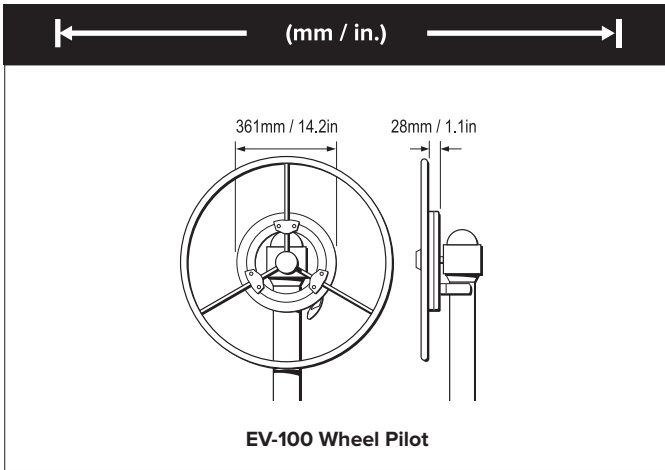
1. ACU unit
2. Rudder angle reference sensor / transducer. Not supplied with all system packs. Also available separately as M81105
3. Cable ties
4. Mounting screws
5. Document pack

(mm / in.)

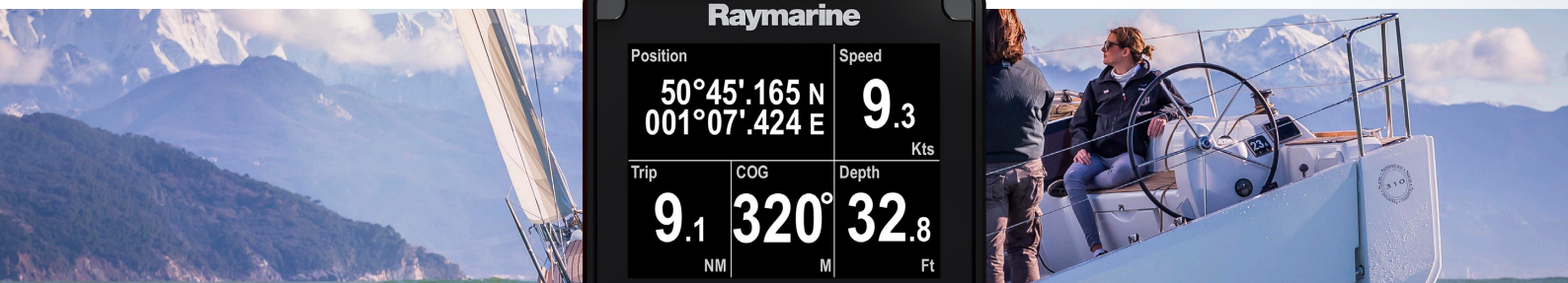


ACU-200/300/400

AUTOPILOTS



INSTRUMENTS



SAILING



CRUISING



FISHING

Raymarine instruments are world renowned for accuracy, innovative features and high-performance. From the space saving i40 series to the multifunction i70s series, there are Raymarine instruments available to fit every boater's requirements.



i40 Instrument Display

Big displays for smaller powerboats, yachts and RIBs, these compact yet powerful SeaTalk instruments offer full integration with Raymarine autopilots and navigation equipment and can be surface or trunion-mounted.

i50 Instrument Display

The i50 range consists of 3 digital displays: speed and depth displays with extra-large digits and a multi-line tridata unit. These stylish, dedicated-function instruments are the perfect solution for smaller power boats, yachts and RIBs.

i60 Instrument Display

Designed primarily for the sailboater, i60 covers wind and close hauled wind options in analogue and digital formats. Excellent viewing angles and simple push-button controls make the i60 extremely easy to see and use.



i70s Multifunction Instrument

The new i70s Multifunction Instrument is packed full of powerful features but remains exceptionally easy to use. User-selectable data source selection allows for easy integration on multi-sensor networks.

INSTRUMENTS

PART NO.	DESCRIPTION	MSRP
INSTRUMENTS		
i40 INSTRUMENTS		
E70063	i40 Speed Display	\$219.99
E70064	i40 Depth Display	\$219.99
E70065	i40 Wind Display	\$219.99
E70066	i40 Bidata Display	\$249.99
INSTRUMENT PACKS		
E70140	i40 Speed Pack, with P371 Speed/Temp Through Hull Transducer	\$299.99
E70141	i40 Speed Pack, with ST69 Speed/Temp Transom Mount Transducer	\$299.99
E70142	i40 Depth Pack, with P7 Depth Through Hull Transducer	\$299.99
E70143	i40 Depth Pack, with P66 Depth Transom Mount Transducer	\$329.99
E70144	i40 Wind Pack, with RotaVecta Transducer	\$469.99
E70145	i40 Bidata Pack, with P371 Speed/Temp & P7 Depth Through Hull Transducers	\$429.99
i50, i60 & i70 INSTRUMENTS		
E70058	i50 Speed Display (Digital)	\$399.99
E70059	i50 Depth Display (Digital)	\$399.99
E70060	i50 Tridata Display (Digital)	\$599.99
E70061	i60 Wind Display (Analogue)	\$549.99
E70062	i60 Close Hauled Wind Display (Analogue)	\$449.99
E70327	i70s Multifunction Color Display	\$594.99
INSTRUMENT PACKS		
E70147	i50 Speed Pack, with P120 Retractable Speed/Temp Through Hull Transducer	\$479.99
E70148	i50 Depth Pack, with P319 Depth Through Hull Transducer	\$499.99
E70149	i50 Tridata Pack, with P120 & P319 Speed/Temp/Depth Through Hull Transducers	\$774.99
E70150	i60 Wind Pack, with Short Arm Vane Transducer	\$999.99
E70153	i50 & i60 Wind, Speed, Depth - 3 x Instrument & 3 x Transducer Pack	\$1,449.99
T70226	i70s System Pack (Color instrument & Wind, DST txducers), iTC-5, 9M backbone, power, 1 backbone & 1 inline terminator	\$1,449.99
T70216	i70s System Pack (i70s Color instrument & Wind, DST txducers, iTC-5, 3M backbone, 5 Way Connector, STng power cable & 2 backbone terminators)	\$1,449.99
ITC-5 INSTRUMENT TRANSDUCER CONVERTER & WIRELESS PUCK		
E70010	iTC-5 Instrument Transducer Converter	\$314.99
E70361	MicroTalk Wireless Performance Sailing Gateway	\$349.99
A80370	Pole Mount for RS150 GPS Antenna / Micro-Talk Puck	\$34.99
STNG SMART TRANSDUCERS		
A22112	DT800 12° Through Hull Depth / Temperature Smart Transducer	\$349.99
A22165	DT800 0° Through Hull Depth / Temperature Smart Transducer	\$349.99
E70667	DST810 (Gen 2) 0° Through Hull Depth / Speed / Temperature Smart Transducer	\$399.99
A80373	P79S In Hull Depth Smart Transducer (NMEA 2000 DeviceNet connection)	\$359.99
T70278	P79S In Hull Depth Smart Transducer (NMEA 2000 with STNG adapter cable)	\$379.99
ACCESSORIES		
A28167	Wind Vane Service Kit	\$59.99
R70112	i40 Sun Cover	\$24.99
R70663	Black Suncover i50/i60/i70/p70/i70s/p70s (AXIOM style)	\$19.99
A80357	Grey Suncover i50/i60/i70/p70/i70s/p70s (eS series style)	\$19.99
R22169	i50 / i60 / i70 / p70 Suncover (a, c, e, series style)	\$19.99

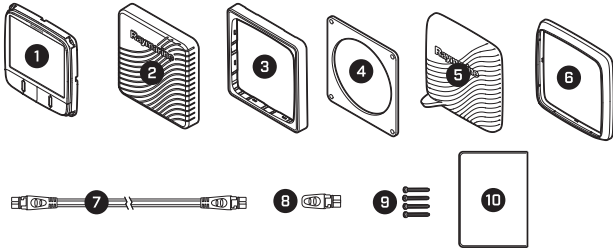
INSTRUMENTS

PART NO.	DESCRIPTION	MSRP
A80355	Black Bezel for i50/60/70/Pilots (eS series style)	\$19.99
R70368	Black Bezel for i50/60/70/Pilots (Rounded a, c, e series style)	\$19.99
R22168	Gunmetal Bezel for i50/60/70/Pilots (a, c, e series style)	\$19.99
A80356	Gunmetal Bezel for i50/60/70/Pilots (eS series style)	\$19.99
A80353	Black Bezel for i70s	\$19.99
A80354	Gunmetal Bezel for i70s	\$19.99
DEPTH - TRANSDUCERS		
E26009	P7 D Shorty™ Low Profile Through Hull Transducer	\$104.99
M78713-PZ	P319 Low Profile Through Hull Plastic Depth Transducer 14m Cable	\$119.99
E26030	P17 Depth Through Hull Retractable Transducer	\$119.99
E26027-PZ	P66 Depth Transom Mount Transducer	\$129.99
E26001-PZ	P79 Depth In Hull Transducer	\$209.99
E26019-PZ	B45 Depth Through Hull Transducer Stem - includes Fairing Block	\$264.99
M78717	B17 D Through Hull Retractable Transducer	\$209.99
DEPTH/SPEED/TEMPERATURE – TRANSDUCERS		
E26006-PZ	i40/50 P65 Depth, Speed, Temperature Transom Mount Transducer	\$209.99
A22154	DST800 Analog out 200kHz	\$249.99
E26028-PZ	i40/50 P66 Depth, Speed, Temperature Transom Mount Transducer	\$219.99
A26043	B744V Bronze Depth, Speed, Temperature Through Hull Transducer (No fairing block)	\$454.99
A26044	B744VL Long Stem Bronze Depth, Speed, Temperature Through Hull Transducer (No fairing block)	\$609.99
SPEED/TEMPERATURE – TRANSDUCERS		
E26005	ST69 Speed/Temperature Transom Mount Transducer	\$119.99
E26008	P371 Speed/Temperature Shorty™ Through Hull Transducer	\$119.99
E26031	ST800/P120 Speed/Temperature Low Profile Retractable Through Hull Transducer - 13.7m Cable - Obsolete when inventory is depleted.	\$119.99
E25025	P17 Speed/Temperature Low Profile Through Hull Retractable Transducer - 20m Cable - Obsolete when inventory is depleted	\$179.99
M78716	B120 Speed/Temperature Low Profile Retractable Through Hull Transducer - Obsolete when inventory is depleted	\$234.99
WIND – TRANSDUCERS		
Z195	RotaVecta Transducer supplied with 20m (65') Cable	\$284.99
E22078	Short Arm Vane Transducer supplied with 30m (97.5') Cable	\$514.99
E22079	Long Arm Vane Transducer supplied with 50m (162.5') Cable	\$654.99
A28162	30m Mast Cable & Connector	\$129.99
A28163	50m Mast Cable & Connector	\$209.99
R28170	Short Arm Wind Vane Transducer	\$389.99
R28171	Long Arm Wind Vane Transducer	\$454.99
WIND/AIR TEMPERATURE/BAROMETER - TRANSDUCER		
A80454	Airmar 220WX Weather Transducer (6m w DeviceNet)	\$1,699.99
RUDDER REFERENCE - TRANSDUCERS		
M81105	Rudder Angle Transducer	\$294.99

INSTRUMENTS



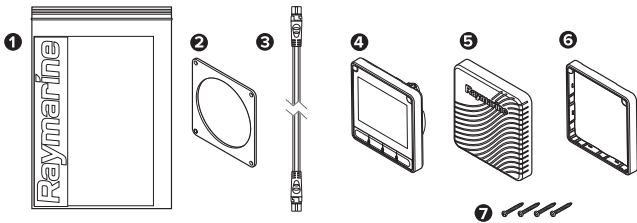
i50 / i60 : IN THE BOX



1. i50 / i60 Instrument display
2. Suncover (to match i70s, p70s, p70Rs, eS Series)
3. Front bezel (to match i70s, p70s, p70Rs, eS Series)
4. Gasket
5. Suncover (to match a, c, e Series)
6. Front bezel (to match a, c, e Series)
7. 400 mm (15.7 in) SeaTalkng[®] spur cable
8. Termination
9. Screws
10. Documentation



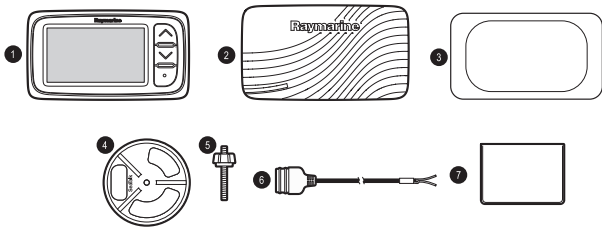
i70s : IN THE BOX



1. Documentation
2. Panel Seal Gasket
3. 400mm (15.7in) SeaTalkng[®] spur cable (A06038)
4. i70s Instrument Display (supplied with keymat and black bezel (A80353) fitted)
5. Suncover (A80357)
6. Spare gunmetal bezel (A80354)
7. Mounting screws x4

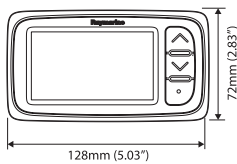


i40 : IN THE BOX

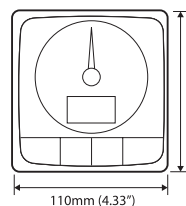
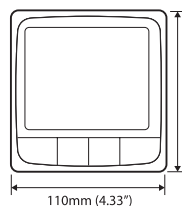


1. i40 Instrument
2. i40 Sun cover
3. Mounting gasket
4. Clamping bracket
5. Fixing stud and thumb nut
6. SeaTalk power cable 1m (3ft)
7. Document pack

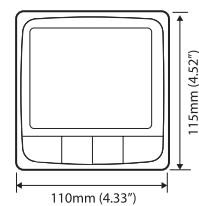
← (mm / in.) →



i40



i50 / i60



i70s

WIRELESS INSTRUMENTS



SAILING



CRUISING

You need instant access to accurate data and displays that are absolutely reliable. Raymarine Wireless instruments display all the data you'll need and there are no wires running through your hull or down your mast.



Micro-Talk Gateway

The Micro-Talk Wireless Performance Sailing Gateway allows you the flexibility to mix-and-match any combination of wired or wireless Raymarine instruments, transducers, multifunction displays and autopilots. Whether you are building a new system from scratch, or expanding an existing system, the Micro-Talk Gateway enables performance-minded sailors to take advantage of the enhanced accuracy and installation convenience offered by Raymarine's wireless, solar-powered wind transmitter options.

Wireless for Cruising

Raymarine's wireless instrument systems offer instant access to accurate depth, wind, speed and GPS data. The displays are simple to install, solar powered, and use Micronet wireless networking to communicate. Micronet MN100 series instruments include single line, dual-line and analogue wind display options. A wide selection of optional transducers, sensors and accessories are available to customize your system.

Wireless For Racing

Raymarine wireless instruments deliver a tactical advantage to the club racer or ocean navigator alike. In addition to navigation data, Raymarine wireless racing systems deliver polar data, true wind speed and angle, VMG, compass heading and more. Small screen, large screen and hand-held options ensure you have the data you need, where you want to see it.

Race Compass

Raymarine's Micro Compass and Racemaster compass systems give you the winning advantage with accurate, reliable readouts. The self-contained Micro Compass' tactical scale give you clear stable figures for port and starboard tacks. Racemaster is a two tier display that displays heading, wind shift indicator, line bias, and race timer. Both compasses are 100% solar powered, install in seconds, and can be easily removed for storage.

PART NO.	DESCRIPTION	MSRP
----------	-------------	------

WIRELESS INSTRUMENTS

MICROTALK WIRELESS PERFORMANCE SAILING GATEWAY BUNDLE PACKS

T70346	i60, Wireless Wind and backbone kit (E70361, T120, T113, E70061, A06049, A06046, A06064, A06031, A06028)	\$1,999.99
T70345	Wireless Wind Kit for STNG (E70361, T120 & T113)	\$1,299.99
T70351	Wireless Wind Kit including Heading Sensor for STNG (E70361, T120, E70096, T113, A06049, A06036, A06064, A06031, A06028)	\$1,999.99
T70347	i70s, Wireless Wind, DST810 and Backbone kit (E70361, T120, E70617, T113, E70327, A06049, A06036, A06064, A06031, A06028)	\$2,199.99
T70348	i70s, Wireless Wind, DST810, heading sensor and backbone kit (E70361, T120, E70096, E70617, T113, E70327, A06049, A06036, A06064, A06031, A06028)	\$2,749.99
T70349	i70s, Wireless Vertical Wind, DST810, heading sensor and backbone kit (E70361, T222, E70096, E70617, T113, E70327, A06049, A06036, A06064, A06031, A06028)	\$3,999.99

WIRELESS INSTRUMENTS

PART NO.	DESCRIPTION	MSRP
MICRONET WIRELESS DISPLAYS		
T110-916	Wireless Multi Digital Display	\$579.99
T111-916	Wireless Multi Dual Digital Display	\$684.99
T112-916	Wireless Multi Analogue Display	\$684.99
T113-916	Wireless Multi Remote Display	\$579.99
MICRONET WIRELESS CRUISING SYSTEMS		
T100-916	Wireless Speed & Depth System	\$1,154.99
T101-916	Wireless Multi Wind System	\$1,364.99
T163-916	Wireless Power Boat System with Transom Triducer	\$1,154.99
T103-916	Wireless Speed & Depth System with Triducer	\$1,154.99
T108-916	Wireless Wind, Speed & Depth System with Triducer	\$2,309.99
T104-916	Wireless Wind, Speed, Depth & NMEA System	\$2,834.99
T106-916	Remote Display Starter System	\$579.99
MICRO COMPASS SPARES AND ACCESSORIES		
T061	Micro Compass System - Includes Micro Compass and Strap Bracket	\$474.99
T060	Micro Compass	\$419.99
T004	Deck Bracket	\$69.99
T005	Strap Bracket	\$69.99
T006	Long Slug Bracket	\$69.99
T008	Cat Pole Bracket	\$79.99
MICRONET WIRELESS RACING PRODUCTS		
T070-916	Micronet Race Master	\$839.99
T074-916	Micronet Race Master System and Transducer	\$1,469.99
T075-916	Micronet Race Master System, Triducer and Solar Panel	\$1,574.99
T210	Wireless Multi Maxi display	\$1,364.99
T215	Wireless Multi Dual Maxi Display	\$1,154.99
T222	Wireless Vertical Wind Transmitter	\$2,099.99
T221	Mast Rotation Transmitter	\$839.99
PP30-916	Performance Pack 30 (wind, speed, depth & compass txducers, 2-up mast bracket, NMEA interface, dual, maxi, dual maxi, & remote control displays)	\$5,669.99
PP40-916	Performance Pack 40 (wind, speed, depth & compass txducers, 3-up mast bracket, NMEA interface, dual, 3 x maxi, & remote control displays)	\$6,299.99
PP50-916	Performance Pack 50 (vertical wind, speed, depth & compass txducers, 3 up mast bracket, NMEA interface, dual, 3 x maxi, & remote control displays)	\$7,874.99
MICRONET COMPONENTS SPARES AND ACCESSORIES		
E70361	Micronet to SeataalkNG Gateway (Wireless Wind)	\$349.99
T137	Slug Mast Bracket 1 up (Digital, Dual, Analogue Range)	\$119.99
T231	Mast Bracket 1 up (for Maxi, Dual Maxi or Race Master)	\$149.99
T232	Mast Bracket Maxi 2 up (for Maxi, Dual Maxi or Race Master)	\$224.99
T234	Mast Bracket Maxi 3 up (for Maxi, Dual Maxi or Race Master)	\$274.99
T909	Compass Transducer	\$274.99
T120	Wind Transmitter	\$789.99
T121	Hull Transmitter	\$474.99
T122	Wireless Interface	\$474.99
T138	External Solar Panel (9V) - 108mm x 108mm	\$119.99
T910	Triducer (Speed, Depth and Temperature in One, Retractable - 50m range)	\$284.99
T911	Speed Transducer (Speed and Temperature, Retractable with Flap Valve)	\$179.99
T912	Depth Transducer (Depth, Retractable - 80m Range)	\$179.99
T914	Active Depth Temp Transducer	\$579.99
T915	Transom Mount Transducer	\$234.99
T942	Bronze Fitting for Long Body Transducer	\$179.99
T943	Flush Fitting for Long Body Transducer	\$39.99
T139	Alarm Booster	\$29.99
T050	Large Deck Bracket	\$84.99
T905	Depth transducer (50mm through/in hull)	\$149.99
T908	GPS Antenna with NMEA 0183 output	\$454.99
TA900	Paddle Wheel Replacement Kit for T911	\$34.99
TA106	Instrument Cover for Digital, Dual Digital or Analogue Displays	\$29.99

THERMAL CAMERAS



SAILING



CRUISING



FISHING

Teledyne-FLIR maritime thermal imaging cameras turn night into day, keeping you safe and secure and letting you boat with confidence. From small boats to superyachts, FLIR offers leading-edge thermal cameras that are rugged, reliable and straightforward to use.



AX8

Keep a watchful eye on such critical equipment as engines, exhaust manifolds, and shaft bearings to spot problems before they leave you stranded on the water.



M232

Our smallest and most affordable pan and tilt marine thermal night vision camera. Using our latest generation Boson™ thermal core, the M232 lets boaters see at night in 320 x 240 thermal resolution and also features 2x digital zoom.



M300 SERIES

The M300 Series sets a new standard for safe marine navigation and situational awareness. Applying enhanced stabilization technology to high-performance visible, thermal, or multispectral imaging, M300 Series marine cameras deliver unwavering vision in high-stakes environments.

PART NO.	DESCRIPTION	MSRP
THERMAL CAMERAS		
AX8 ENGINE ROOM CAMERA		
E70321	AX8 Thermal and Visible Imaging Camera for temperature measurement	\$1,199.00
261-2319-00	AX8 RAM Mount Kit	\$59.00
SCION HANDHELD CAMERAS		
7TM-01-F130	SCION OTM260-Thermal monocular 640x480-12um-9Hz 18mm-24o Gray	\$3,149.00
7TM-01-F310	SCION PTM166-Thermal monocular 640x480-12um-60Hz 13.8mm-32o Black	\$3,459.00
7TM-01-F330	SCION PTM366-Thermal monocular 640x480-12um-60Hz 25mm-18o Manual Black	\$4,199.00
SCION ACCESSORIES		
7TX-01-F010	GTX100 Scion Docking Station	\$313.99
7GX-03-F010	GPX310 Scion Rechargeable Battery Kit	\$204.99
FLIR BRANDED M200 SERIES COMPACT PAN AND TILT CAMERA		
E70354	M232 Pan and Tilt Thermal Camera (9Hz, IP Video Output) without JCU	\$3,495.00

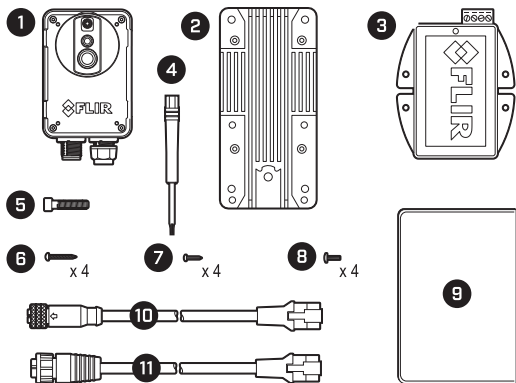
THERMAL CAMERAS

PART NO.	DESCRIPTION	MSRP
ACCESSORIES		
E70537	AR200 IP Camera Stabilization Module for Augmented Reality	\$549.99
A80510	JCU-3 Compact Joystick Control Unit for M200	\$459.99
A80511	M100/M200 Right Angle Single Keyway Power Cable, 10M	\$84.99
A80512	Cable - RayNet Right Angle, 10m	\$104.99
A80513	Adaptor, RayNet (Male) to RJ45 (Male) Cable, 100mm	\$19.99
308-0251-30-00	Cable - RayNet Straight Connector to RJ45, 30m, LSZH	\$104.99
308-0252-30-00	Cable - RayNet Right Angle to RJ45, 30m, LSZH	\$104.99
308-0253-30-00	Cable - Power Straight, 12 AWG, 30m, LSZH	\$419.99
308-0254-30-00	Cable - Power Right Angle, 12 AWG, 30m LSZH	\$419.99
A80509	Top Down Riser, M100, M200	\$44.99
A80508	IP to Analog Video Decoder	\$1,364.99
CAMERA MOUNTS		
A80571	ScanStrut M132/M232 Thermal camera Mast Mount Bracket	\$329.99
FLIR BRANDED MD SERIES FIXED MOUNT CAMERAS (LIMITED SUPPLIES AVAILABLE)		
432-0010-01-00	MD-324 Fixed Mount Thermal Camera (NTSC, 30Hz)	\$3,795.00
432-0010-01-00S	MD-324 Fixed Mount Thermal Camera (NTSC, 9Hz)	\$3,795.00
432-0010-11-00	MD-324 with Joystick Control Unit (NTSC, 30Hz)	\$4,295.00
432-0010-11-00S	MD-324 with Joystick Control Unit (NTSC, 9Hz)	\$4,295.00
432-0010-03-00	MD-625 Fixed Mount Thermal Camera (NTSC, 30Hz)	\$4,995.00
432-0010-03-00S	MD-625 Fixed Mount Thermal Camera (NTSC, 9Hz)	\$4,995.00
432-0010-13-00	MD-625 with Joystick Control Unit (NTSC, 30Hz)	\$5,495.00
432-0010-13-00S	MD-625 with Joystick Control Unit (NTSC, 9Hz)	\$5,495.00
FLIR M300 SERIES STABILIZED CAMERAS		
E70605	M300C Single Payload HD Visible Zoom Camera (does not include JCU)	\$6,995.00
E70527	M332 Single Payload 320 Thermal Camera, 24-deg HFOV (does not include JCU)	\$7,995.00
E70525	M364 Single Payload 640 Thermal Camera, 24-deg HFOV (does not include JCU)	\$13,995.00
E70518	M364C Dual Payload 640 CTV Camera, 24-deg HFOV (does not include JCU)	\$22,495.00
E70520	M364C LR Dual Payload 640 CTV Long-Range Camera, 18-deg HFOV (does not include JCU)	\$32,995.00
M300 ACCESSORIES		
500-0395-00	Joystick Control Unit (JCU1) for Maritime Cameras - requires PoE	\$949.00
500-0398-10	Joystick Control Unit (JCU2) for Maritime Cameras - requires PoE	\$1,599.00
4113315	JCU Suncover	\$19.00
4113746	12V Power over Ethernet Injector	\$184.99
4115028	Connector, RJ45 Waterproof Enclosure	\$24.99
4230175	PoE Switch, 8 Port, 12-36VDC Ext. Temp	\$1,579.00
T70477	Joystick Control Unit (JCU1) with PoE Injector Kit	\$1,099.00
T70478	Joystick Control Unit (JCU2) with PoE Injector Kit	\$1,699.00
A80667	M300 0.5M Cable Kit	\$259.99
A80696	M300 3M Cable Kit	\$319.99
A80664	M300 10M Cable Kit	\$419.99
308-0163-25	Ethernet Cable, Double shielded, RJ-45, LSZH, 25ft	\$64.99
308-0163-50	Ethernet Cable, Double shielded, RJ-45, LSZH, 50ft	\$104.99
308-0163-75	Ethernet Cable, Double shielded, RJ-45, LSZH, 75ft	\$144.99
308-0163-100	Ethernet Cable, Double shielded, RJ-45, LSZH, 100ft	\$189.99
308-0164-25	Video Cable, F-Type terminated on cam. End, BNC terminated on mon. end 25ft	\$74.99
308-0164-50	Video Cable, F-Type terminated on cam. End, BNC terminated on mon. end 50ft	\$94.99
308-0164-75	Video Cable, F-Type terminated on cam. End, BNC terminated on mon. end 75ft	\$134.99
308-0164-100	Video Cable, F-Type terminated on cam. End, BNC terminated on mon. end 100ft	\$154.99

THERMAL CAMERAS



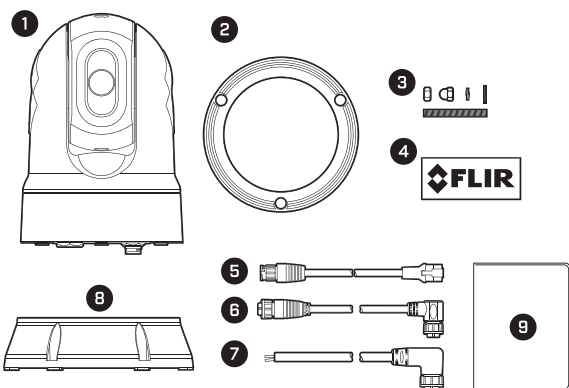
AX8: IN THE BOX



1. AX8 thermal camera
2. Cooling bracket
3. PoE injector (Refer to the 'Potential ignition source' warning)
4. T6 Torx driver
5. 1 x 1/4" – 20 x 30 mm Hex bolt (for fitting cooling bracket to the optional mounting bracket: R70375.)
6. 4x No.6 x 25 mm screws (for surface mounting cooling bracket / camera assembly)
7. 4x PT 22x8 T6 torx screws (to fit cooling bracket to camera.)
8. 4x 10–32UNF 1/2" hex bolts (for fitting cooling bracket to the optional RAM® mount 261–2288–00)
9. Documentation
10. 5 m (16.4 ft) Ethernet cable (M12 X–coded to RJ45) (for connecting camera to PoE injector)
11. 3 m (9.84 ft) RayNet to RJ45 adaptor cable (for connecting PoE injector to Raymarine MFD or network switch)



M2XX SERIES: IN THE BOX

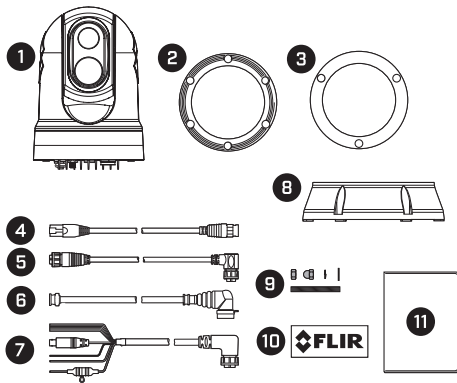


1. Thermal camera
2. Thermal camera base-seal
3. 3 x thermal camera fasteners: nuts, dome nuts, spring washers, flat washers, and threaded studs
4. 2 x Self-adhesive decals (for ball-down mounting only)
5. RayNet-to-RJ45 adapter cable (100 mm)
6. Right-angled RayNet-to-RayNet cable (10 m)
7. Right-angled 3-pin power cable (10 m)
8. Top-down riser kit (includes riser, riser base seal, and riser mounting template)
9. Documentation pack

THERMAL CAMERAS

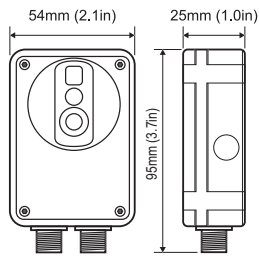


M3XX SERIES: IN THE BOX

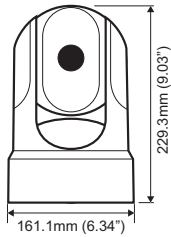


1. M300 Camera
2. Camera base-seal
3. Camera gasket
4. RayNet-to-RJ45 adaptor cable 120 mm (4.72 in.)
5. Right-angled RayNet-to-RayNet cable 3 m (9.8 ft.)
6. Right-angled HD-SDI video cable (with BNC connectors) 3 m (9.8 ft.)
7. Right-angled power/NMEA 0183/video cable 3 m (9.8 ft.)
8. Mounting riser
9. 3x camera fixings: nuts, dome nuts, spring and flat washers, threaded studs
10. 2 x self-adhesive decals (for ball-down mounting only)
11. Documentation pack

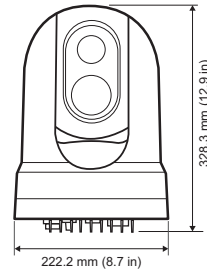
← (mm / in.) →



AX-8



M232



M3XX

VIDEO CAMERAS



NEW



SAILING



CRUISING



FISHING

The CAM300 mini day/night IP camera is a wide field-of-view visible camera designed for Raymarine Axiom chartplotters. Equipped with an HD video sensor, the CAM300 transforms Axiom into a powerful onboard video observation system. Use the CAM300 to monitor blind spots, check in on the crew, or watch and record all fishing action from the helm. Combine the CAM300 with the Raymarine AR200 sensor and make smarter navigation decisions using ClearCruise augmented reality to overlay AIS targets, waypoints and chart objects on the Axiom video display.

- View up to 4 CAM300 video streams simultaneously on a single Axiom display
- 3MP CMOS sensor delivers up to 1080p resolution
- Built-in infrared emitters for excellent near-field low light visibility up to 33 ft (10 meters)
- Image flip and invert functions for ball-up/ball-down installation and reverse video
- ONVIF Profile S compatible for compatibility with security system applications
- Easy to install with either direct 12-volt connection or single cable Power over Ethernet (POE)
- Rugged IP66 enclosure for below and above deck marine installations

PART NO.	DESCRIPTION	MSRP
----------	-------------	------

DAY & NIGHT VIDEO CAMERAS

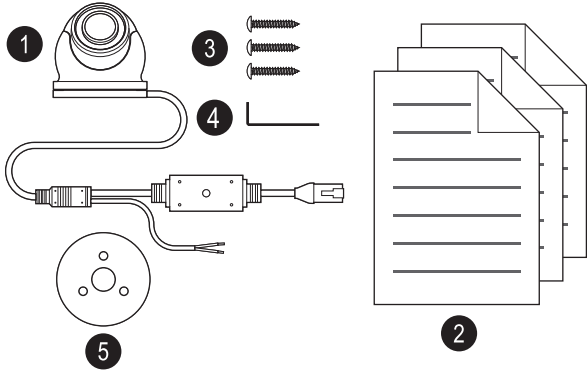
DAY AND NIGHT IP VIDEO CAMERA

E70346	CAM210 Bullet CCTV Day and Night Video Camera (IP Connected)	\$829.99
E70660	CAM300 Eyeball CCTV Day and Night Video Camera (IP Connected)	\$599.99
4115028	Connector, RF45 Waterproof Enclosure	\$24.99
A62360	RayNet (F) to RJ45 (M) cable - 1m	\$74.99
A80151	RayNet (F) to RJ45 (M) cable - 3m	\$79.99
A80159	RayNet (F) to RJ45 (M) cable - 10m	\$129.99
4113746	Power Over Ethernet Injector	\$184.99

VIDEO CAMERAS

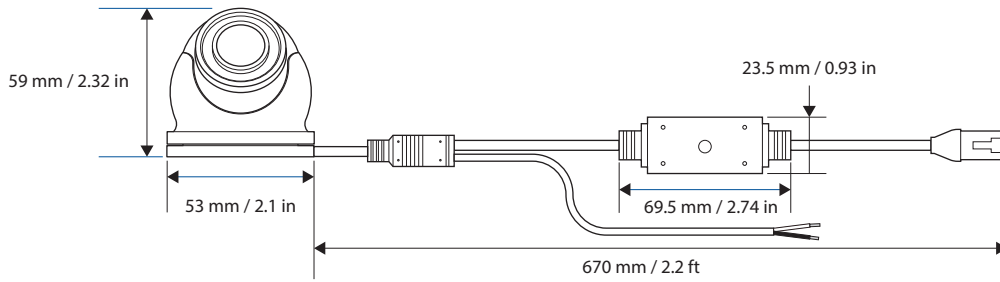


CAM300: IN THE BOX



- 1. CAM300 camera
- 2. Documentation
- 3. Mounting screws x3
- 4. Hex wrench (Allen key)
- 5. Waterproof gasket

← (mm / in.) →



CLEARCRUISE AR



SAILING

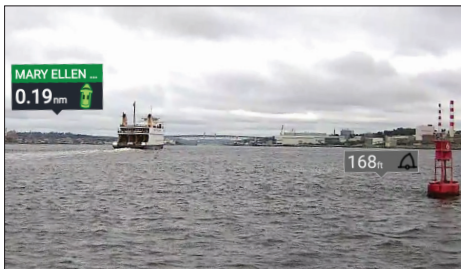


CRUISING



FISHING

ClearCruise™ AR is bringing enhanced on water perception to Raymarine's family of Axiom® chartplotter displays. With ClearCruise AR, Raymarine Axiom users can make smarter decisions with navigation objects overlaid directly on Axiom's high definition video display.



Make Smarter Decisions

See critical navigation objects overlaid on HD video. Surrounding AIS-equipped vessel traffic and charted navigation aids are clearly identified with rich graphics on a live, dynamic video image.



Recognize and Respond to Nearby Marine Traffic

Color-coded labels provide instant identification, status, and risk-assessment Live AIS Targets. ClearCruise AR provides positive identification of AIS equipped vessels on the horizon.



Understand Complex Navigational Situations

Major chart objects are identified for instant, heads-up recognition. ClearCruise AR technology shows you visually where your saved waypoints and marks are located.

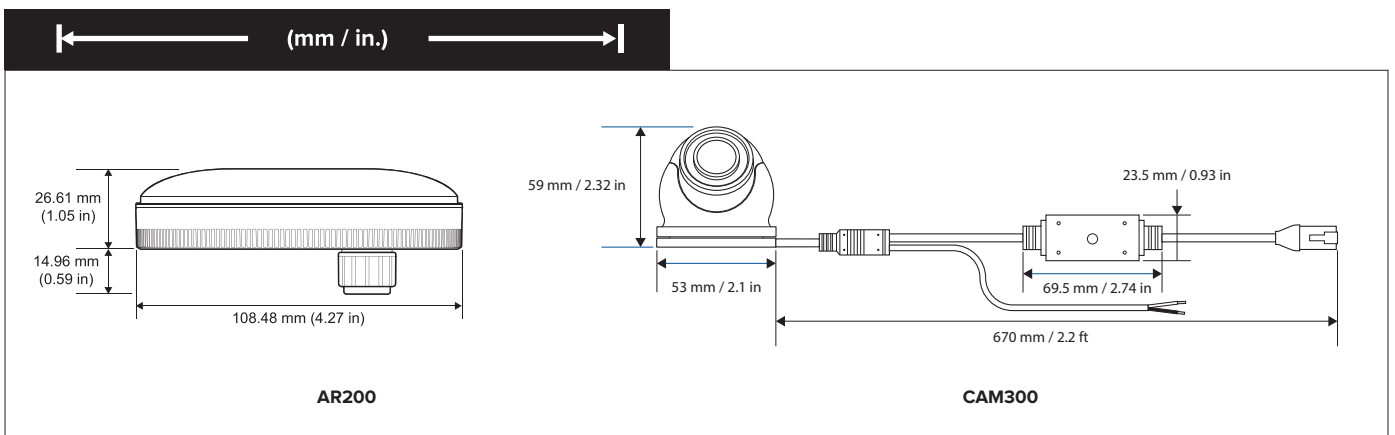


See Waypoints in the Real World

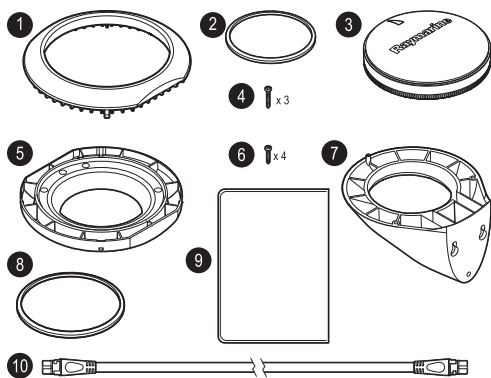
Visualize nearby marks and waypoints for easy navigation. ClearCruise AR technology makes it easy to pick out the buoys marking the edges of the safe channel on a hazy day.

CLEARCRUISE AR

PART NO.	DESCRIPTION	MSRP
AUGMENTED REALITY		
T70452	CAM210 Augmented Reality Pack (Consisting of: CAM210, AR200, RayNet to RJ45 Cable, Backbone Cable & STNG T-Piece Connector)	\$1,529.99
T70581	CAM300 Augmented Reality Pack (Consisting of: CAM300, AR200, RayNet to RJ45 Cable, Backbone Cable & STNG T-Piece connector)	\$1,329.99
E70537	AR200 IP Camera Stabilization Module for Augmented Reality	\$549.99



AR200 : IN THE BOX



1. Mounting trim (Top).
2. Small sealing ring.
3. AR200.
4. 3 x large bulkhead bracket fixings (Pan head pozi DIN7981 ST 3.9x22 C Z A4 Stainless steel).
5. Mounting tray (Bottom).
6. 4 x small surface mount fixings (Pan head pozi DIN7981-ST 2.9x13 C Z A4 Stainless steel).
7. Bulkhead (Wall) bracket.
8. Large sealing ring.
9. Documentation.
10. 6 m (19.69 ft) SeaTalkng® (White) cable.

SATELLITE TV



SAILING



CRUISING



FISHING

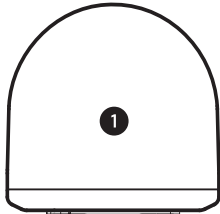
Raymarine's Satellite TV antennas bring the same combination of high performance and ease-of-use to your onboard entertainment that you would expect from your home entertainment system. Housed in a compact dome, our antenna systems automatically track and receive satellite TV signals in almost any conditions - guaranteed quick, clear, reliable access to hundreds of digital channels.

PART NO.	DESCRIPTION	MSRP
SATELLITE TV		
33STV, 37STV, 45STV AND 60STV SATELLITE TV ANTENNAS		
E70453	33STV - 33cm Satellite TV System (B4) - North America - Direct TV Latin America/Caribbean	\$3,829.99
E70454	33STV - 33cm Satellite TV System (B4) - SKY Brazil - Europe - Mexico	\$4,639.99
E70456	37STV - 37cm Satellite TV System (B4) - North America - Direct TV Latin America/Caribbean	\$4,599.99
E70457	37STV - 37cm Satellite TV System (B4) - SKY Brazil - Europe - Mexico	\$5,379.99
E70461	45STV - 45cm Satellite TV System HD (B4) - North America - Direct TV Latin America/Caribbean	\$5,449.99
E70462	45STV - 45cm Satellite TV System (B4) - SKY Brazil - Mexico - Europe	\$7,369.99
E70471	60STV - 60cm Satellite TV System (B4) - North America - Direct TV Latin America/Caribbean	\$6,999.99
E70473	60STV - 60cm Satellite TV System (B4) (auto skew) - Sky Brazil - Europe - Mexico	\$9,349.99
SATELLITE TV ACCESSORIES		
A42195	DISH Network MIM	\$339.99
A42218	DirecTV H24 Receiver w/IR Remote	\$229.99
E96015A	DirecTV Remote Control	\$79.99
E42172	33STV Empty Dome and Baseplate	\$429.99
E96016	37STV Empty Dome and Baseplate	\$624.99
E96009-V	45STV Empty Dome and Baseplate	\$649.99
E96013	60STV Empty Dome and Baseplate	\$1,624.99
E96007	Power/Data Cable - ACU to the Antenna 30m	\$244.99
R08135	RF Cable 15m	\$209.99
E96008	RF Cable 30m	\$349.99

SATELLITE TV



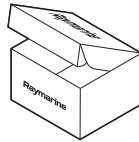
33STV / 37STV / 45STV / 60STV



2

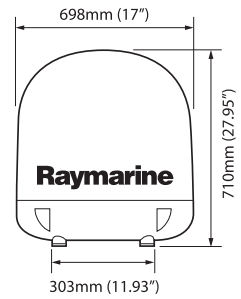
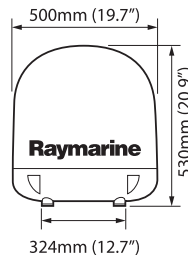
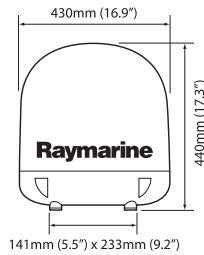
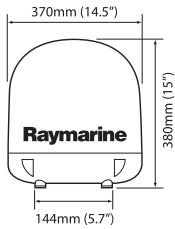


3



1. STV dome
2. Antenna Control Unit (ACU)
3. Accessories pack

← (mm / in.) →



AIS



SAILING



CRUISING



FISHING

AIS (Automatic Identification System) systems enable the wireless exchange of navigation status between vessels and shore-side traffic monitoring centers. Commercial ships, ocean-going vessels and recreational boats equipped with AIS transceivers broadcast AIS messages that include the vessel's name, course, speed and current navigation status.



AIS700 AIS TRANSCEIVER

The AIS 700 is a Class B Transceiver featuring the latest SO-TDMA Technology. Complete with an internal antenna splitter that allows the AIS to share the antenna with the VHF.



AIS4000 AIS TRANSCEIVER

The AIS4000 boasts a high definition color display for quick access to integrated charts, alarms, and tracking. Additional support for wired and wireless networking with shipboard systems make AIS4000 a premier SOLAS and Inland Waterway-certified Class A transceiver.

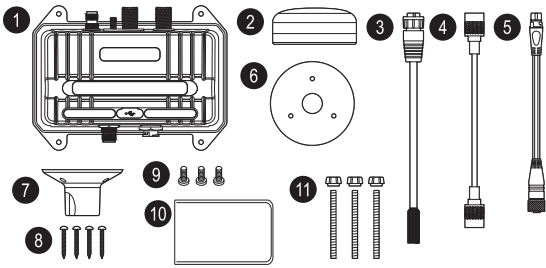
AIS

PART NO.	DESCRIPTION	MSRP
AUTOMATIC IDENTIFICATION SYSTEM - AIS		
AUTOMATIC IDENTIFICATION SYSTEM - AIS		
E32157	AIS350 Dual Channel Receiver	\$599.99
E32158	AIS650 Class B Transceiver	\$999.99
E70476	AIS700 Class B Transceiver with Antenna Splitter	\$1,199.99
AUTOMATIC IDENTIFICATION SYSTEMS - AIS CLASS A		
E70601	AIS4000 Class A Transponder Bundle	\$2,799.99
E70529	AIS5000 Class A Transponder Bundle	\$6,499.99
ACCESSORIES		
R70690	AIS 700/650 Power & Data cable 2m	\$54.99
A80586	AIS4000/AIS5000 Mounting Bracket	\$59.99
A80587	AIS4000/AIS5000 Power Cable	\$64.99
A80588	AIS4000/AIS5000 Junction Box	\$734.99
A80589	AIS4000/AIS5000 GNSS Antenna	\$239.99
A80590	AIS4000/AIS5000 VHF Antenna (and fixings)	\$419.99
A80593	AIS4000/AIS5000 Interface Cable (2 off)	\$314.99
A80594	AIS4000/AIS5000 "Silence" Push Switch	\$54.99
A80597	VHF Connector (PL-259 - Male)	\$29.99
A80598	VHF Connector (PL-259 - Female)	\$29.99
A80589	GA200 GPS Antenna for use with AIS4000/5000	\$239.99
A80599	GPS Connector (TNC - Male)	\$29.99
A80600	GPS Connector (TNC - Female)	\$24.99
A06045	DeviceNet (Female) to STNG Spur (Female) Adaptor Cable, 400mm	\$44.99

AIS



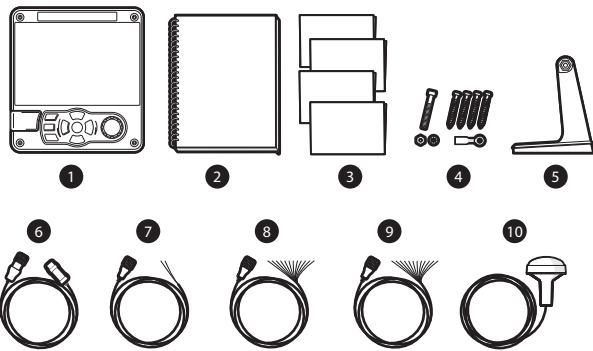
AIS700: IN THE BOX



1. Transceiver
2. GNSS Antenna with Cable 2m
3. Power / Data Cable
4. VHF Radio Cable 1m
5. DeviceNet to SeaTalk[®] adaptor cable
6. GNSS Antenna Gasket
7. GNSS Antenna Pole Mount
8. AIS Unit Fixings
9. Screws
10. Documentation
11. Fixings for optional surface mounting GNSS antenna



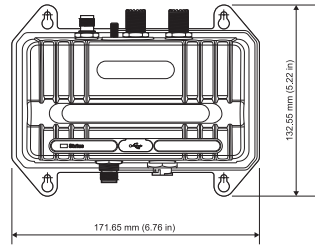
AIS4000: IN THE BOX



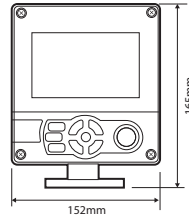
1. AIS transceiver
2. Product Manual
3. Documentation Pack
4. Fixings
5. Mounting Bracket
6. STng to DeviceNet cable
7. Power cable
8. 14 way data cable
9. 18 way data cable
10. GNSS Antenna Cable Assy

AIS

← (mm / in.) →



AIS700



AIS4000

VHF COMMUNICATIONS



SAILING



CRUISING



FISHING

From compact VHF Radios to the ultimate all-in-one communications solution - we have a VHF Radio for every boater! You'll always be heard loud and clear with a VHF Radio from Raymarine. Whether it's our new compact Ray53, full-sized Ray63, or multifunction Ray73, you can depend on your Raymarine VHF Radio for years of trouble-free communication at sea.



RAY53

Raymarine's Ray53 radio is small in size but big on features and performance. Ray53 is a full-function VHF marine radio with Class D Digital Selective Calling (DSC) and a built-in GPS receiver.



RAY63

The Ray63 offers reliable VHF performance, multi-station control, and intercom capability using optional RayMic wireless and wired controllers. The Ray63 has a built-in GPS receiver and features Class D Digital Selective Calling (DSC).



RAY73

The Ray73 has all of the features, performance, and remote options as the full-sized Ray63 plus an integrated AIS receiver. NMEA0183 and NMEA2000 ports allow the Ray73 to network with chartplotters for AIS and DSC functions.

RAY90

Raymarine's fixed mount Ray90 modular VHF radio bring multi-station communications to a whole new level of power, performance and flexibility. The Ray90 is a black-box design with a transceiver that hides out of sight under your helm, in a locker, or just about anywhere.

RAY91

In addition to being a full featured VHF radio system, the Ray91 also has a built-in Automatic Identification System (AIS) receiver. Ray91 can receive the navigation and safety broadcasts from nearby AIS-equipped vessels and share them with your compatible MFD, chartplotter, radar and instruments.



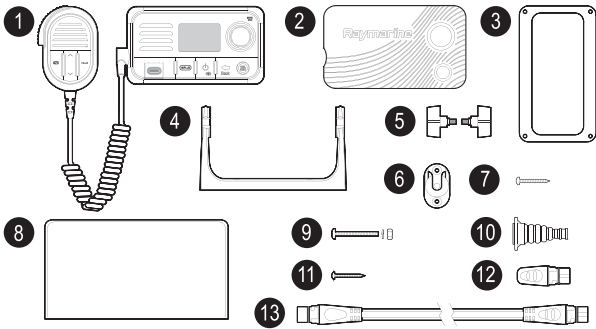
VHF COMMUNICATIONS

PART NO.	DESCRIPTION	MSRP
VHF RADIOS		
VHF RADIOS		
E70524	Ray53 VHF Radio	\$599.99
E70516	Ray63 VHF Radio	\$699.99
E70517	Ray73 VHF Radio with GPS, AIS Receiver and Loudhailer Output	\$999.99
E70492	Ray90 VHF Black Box (Includes Wired Handset, Passive Speaker and Cable)	\$1,099.99
E70493	Ray 91 VHF Black Box with AIS Rx (Includes Wired Handset, Passive Speaker and Cable)	\$1,199.99
T70424	Ray90 VHF and AIS700 Bundle	\$1,999.99
VHF RADIOS SPARES AND ACCESSORIES		
T70469	Ray63/73 Wireless 1st Station including Wireless Handset, Wireless Hub, Active Speaker & Adaptor Cable	\$799.99
T70433	Ray 90/91 Wireless First Station Kit (Includes: Passive Speaker, Wireless Handset and Wireless Hub)	\$799.99
T70434	Ray 90/91 Wireless Second Station Kit (Includes: Active Speaker and Wireless Handset)	\$549.99
T70432	Ray 90 Wired Second Station Kit (Includes: Passive Speaker, Raymic Wired Handset and Raymic Ext. Cable, 10M)	\$549.99
A80540	Ray 90/91 Wireless Hub	\$249.99
A80541	Ray 90/91 Wireless Hub Aerial Extension	\$89.99
A80542	Ray 90/91 Passive Active Speaker	\$109.99
A80543	Ray 90/91 Active Speaker	\$159.99
A80544	Ray 90/91 Wireless Handset	\$389.99
A80289	Ray 60/63/70/73/90/91 Wired Handset (without cable)	\$279.99
A80291	Ray 60/63/70/73/90/91 Handset 5m Extension Cable	\$49.99
A80292	Ray 60/63/70/73/90/91 Handset 10m Extension Cable	\$69.99
A80290	Ray 60/63/70/73/90/91 Handset 15m Extension Cable	\$89.99
A80296	Fistmic Adaptor Cable (12 pin to 10 pin) 400mm	\$69.99
A80297	Handset Adaptor cable (12 pin to 12 pin) with passive speaker output (400mm)	\$79.99
A80333	Ray 60/63/70/73 Black Bezel	\$9.99
R70484	Ray 60/63/70/73/90/91 VHF Handset Hanger	\$9.99
R70739	Wireless Handset Adapter Cable for Ray63/Ray73	\$59.99
R70435	Bezel Kit (Combined kit for Ray 60/63/70/73 plus 4 corners for Ray 50)	\$14.99
R70492	Ray 60/63/70/73 Handset Holster	\$24.99
R70616	Ray 90/91 Wireless Handset Only	\$229.99
R70617	Ray 90/91 Holster/Charger Only	\$59.99
R70618	Ray 90/91 Volume Knob for Active Speaker	\$9.99
R70619	Ray 90/91 Passive/Active Speaker Bezel	\$9.99
M95435	Newmar Waterproof Hailing Horn	\$229.99

VHF COMMUNICATIONS



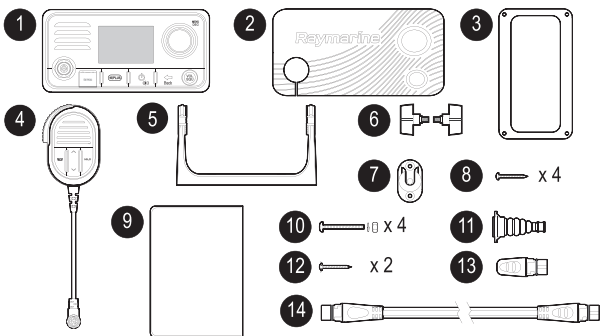
RAY53: IN THE BOX



1. VHF Radio
2. Sun cover
3. Panel mount gasket
4. Mounting bracket (Trunnion)
5. Mounting bracket knobs
6. Fistmic hook plate
7. 4 x M4x25 screws (For Bracket (Trunnion) mounting)
8. Documentation
9. 4 x M4 nuts, spring washers and M4x25 machine screws (For Panel mounting)
10. Protective antenna boot
11. 2 x M4x12 screws (For Fistmic hook plate mounting).
12. SeaTalkng[®] blanking plug
13. SeaTalkng[®] 400 mm (15.7 in.) spur cable



RAY63/73: IN THE BOX

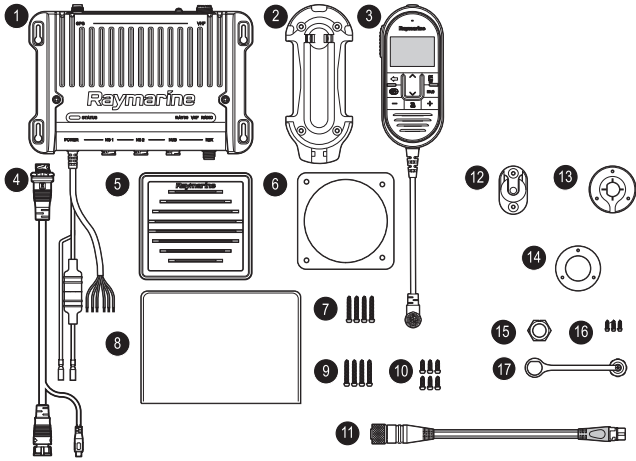


1. VHF Radio
2. Sun cover
3. Panel mount gasket
4. Fistmic
5. Mounting bracket (Trunnion)
6. Mounting bracket knobs
7. Fistmic hook plate
8. 4 x M4x25 screws (For Bracket (Trunnion) mounting)
9. Documentation
10. 4 x M4 nuts, spring washers and M4x25 machine screws (For Panel mounting)
11. Protective antenna boot
12. 2 x M4x12 screws (For Fistmic hook plate mounting)
13. SeaTalkng[®] blanking plug
14. SeaTalkng[®] 400 mm (15.7 in.) spur cable

VHF COMMUNICATIONS

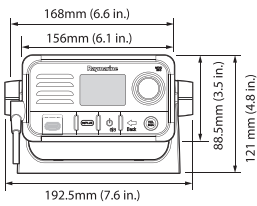


RAY90: IN THE BOX

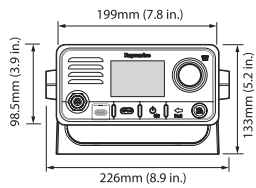


1. Ray90 / Ray91 VHF DSC Radio base station (including fitted power and data cable)
2. Wired handset holster
3. Wired handset
4. Wired handset adaptor cable with RCA Audio 400 mm (1.3 ft)
5. Passive speaker and bezel
6. Passive speaker mounting gasket
7. 4x M4x25 screws (for wired speaker mounting)
8. Documentation
9. 4x M4x25 screws (For base station mounting)
10. 6x M4x12 screws (For Handset holster and hook plate mounting)
11. DeviceNet to SeaTalkng[®] 1 m (3.28 ft) adaptor cable
12. Handset hook plate
13. Through panel cable mounting plate
14. Through panel cable mounting plate gasket
15. Through panel cable mounting nut
16. Through panel cable mounting plate screws x3
17. Through panel cable mounting dust cap

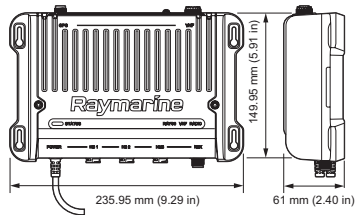
← (mm / in.) →



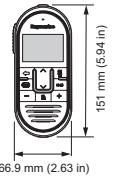
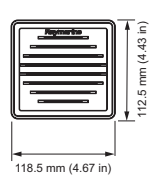
RAY53



RAY63/73

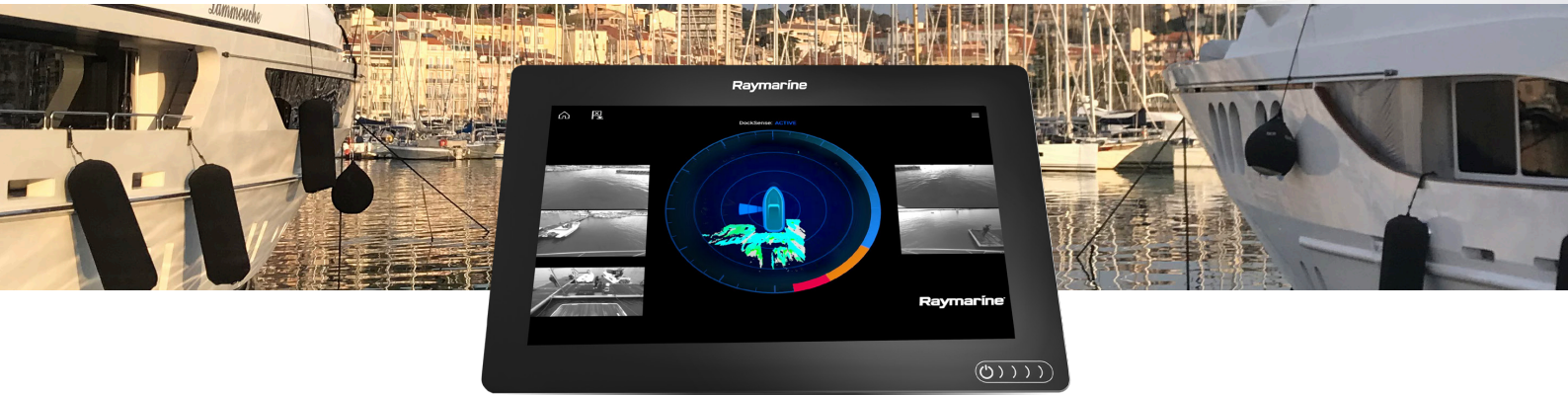


RAY90/91



DOCKSENSE

ASSISTED DOCKING TECHNOLOGY



CRUISING



FISHING

DOCKSENSE™ CONTROL - ASSISTED DOCKING TECHNOLOGY

DockSense is available as part of DockSense Control and DockSense Alert systems. DockSense Alert provides enhanced situational awareness to captains. DockSense Control builds on this with a vessels engine and control systems as detailed below. Yachtsense systems are available through boat builders and technical dealers only.



THE DOCKING CHALLENGE

Docking a boat can be a stressful experience, even for the most experienced captains. Often wind and tides make the task more difficult, and docking mishaps can become expensive repairs. The Raymarine DockSense™ Control system is designed to augment a captain's boat handling skills using the system's Virtual Bumper™ zone technology around the vessel. Should an object like a piling or another vessel encounter the Virtual Bumper, DockSense™ Control automatically introduces corrective steering and throttle commands to avoid the object and assist the captain in guiding the vessel to the dock.

THE FUTURE OF BOAT HANDLING

DockSense™ Control uses global positioning system (GPS) and attitude heading reference system (AHRS) position sensing technology to compensate for the effects of wind and currents, ensuring the vessel enters the dock without drama or costly collisions. The Raymarine DockSense™ Control systems include multiple FLIR machine vision cameras, a central processing module, and the DockSense™ Control App running on Raymarine's Axiom navigation display. The system integrates with modern joystick propulsion systems, providing assisted steering and throttle commands to help captains make a smooth arrival.

DOCKSENSE

ASSISTED DOCKING TECHNOLOGY

DOCKSENSE™ ALERT

DockSense Alert is the next generation of Raymarine's intelligent docking technology designed to enhance a captain's awareness of immediate surroundings while manoeuvring the vessel in close quarters. Using advanced stereo vision camera technology, DockSense Alert detects objects above the water line and creates an intuitive map of potential hazards around the boat. Live video feeds enhance the captain's view while audible and visible alerts inform the captain when an object is close to the vessel.



DOCK WITH CONFIDENCE

DockSense Alert gives captains the confidence to dock in challenging conditions at any dock, in any location. Unlike other docking assistants, DockSense Alert does not require any complex external dockside beacons or sensors. Raymarine's DockSense Alert is entirely self-contained and integrated with the vessel's navigation system and ready to use in every docking location.

At the helm, Axiom's DockSense Alert app provides an informative map showing distance to objects around the boat. Live camera feeds provide added confidence by eliminating blind spots and allowing the captain to see what is happening in real-time. DockSense Alert also offers helpful notifications tuned to the captain's preferred proximity alert distance.

DOCKSENSE ALERT VESSEL INTEGRATION

DockSense Alert systems are designed for professional engineer installation, and each system integrates with Raymarine Axiom multifunction navigation displays. In addition to advanced 3D stereo vision cameras, DockSense Alert systems require precision heading and motion-sensing technology in the form of the AR250 and AR270 DockSense heading sensors. The two sensors combine to create a highly accurate GPS compass system, unaffected by magnetic interference. When outfitting a vessel, Raymarine DockSense experts will partner with your engineering team to design a DockSense Alert system that provides maximum coverage and confidence for you.



YACHTSENSE ECOSYSTEM



The new YachtSense Ecosystem enables complete onboard and offboard integration with all devices connected to the boats network.

An installed system assures captains and boat owners of the readiness of their vessel prior to, during and after their voyage. They are always connected to the boat.

Voyage preparations can begin before leaving home, and whilst onboard guests and crew can be connected to the boat.

NEW

LEVEL 1: MOBILE COMMAND

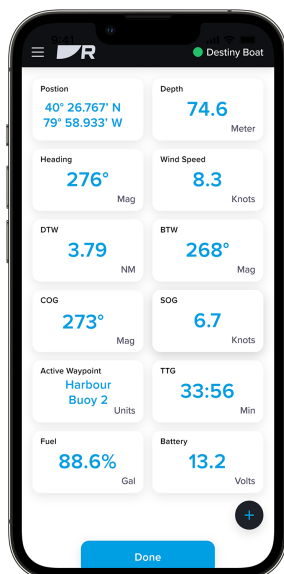
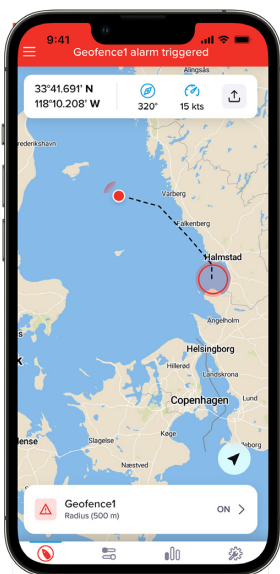
RAYMARINE APP

The Raymarine® App can operate independently of YachtSense Link and YachtSense. The app connects directly to Axiom® displays via Wi-Fi.

- Stream and control Axiom multifunction displays from anywhere onboard
- Back-up waypoints, tracks and screenshots on your mobile device

RAYMARINE APP WITH YACHTSENSE LINK

- Remotely access and control YachtSense connected devices
- Monitor your boat remotely with GeoFence and YachtSense Link
- View real time instrument and navigation data



YACHTSENSE ECOSYSTEM



DAME
CATEGORY WINNER
2022

NEW

LEVEL 2: OFFBOAT CONNECTIVITY

YACHTSENSE LINK

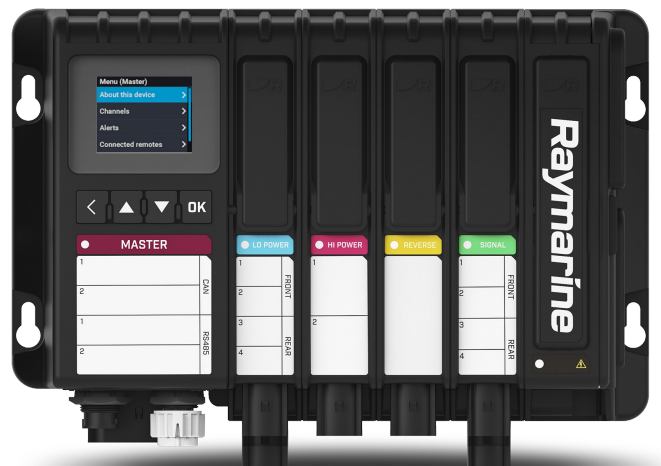
YachtSense Link is a multi-purpose marine mobile router equipped with Raynet Ethernet ports, mobile broadband connectivity, and onboard Wi-Fi. YachtSense Link allows crew and family to connect Axiom® displays, phones, tablets, and PCs to a unified onboard network. YachtSense Link automatically switches between marina Wi-Fi and mobile networks to ensure you are always connected. Combine YachtSense Link with the Raymarine mobile app for remote access to your Raymarine network and enjoy the added security of remote GeoFence vessel monitoring. YachtSense Link also features low-voltage digital switching/monitoring channels for controlling and monitoring onboard electrical devices like pumps, batteries, lighting, and more.

- Mobile broadband connection to 4G (LTE) networks (SIM card and data plan required)
- Supports dual SIM cards for seamless connectivity to international mobile networks
- 4 Raynet Ethernet ports for connecting Raymarine devices
- Integrated GPS with a range extending 4 in 1 antenna (GPS/ GNSS, 3G, 4G, and Wi-Fi)
- Low power consumption mode supports GeoFence remote monitoring (subscription required)
- SeaTalkNG/NMEA2000 port
- 4 x input and output low voltage digital switching channels
- Easy DIY setup using a web browser or Axiom display
- Rugged IPX6 enclosure is shock and vibration resistant

LEVEL 3: SMART HOME ON THE WATER

YACHTSENSE

YachtSense is Raymarine’s bespoke digital control system that controls and monitors all of a vessel’s electrical and electronics systems. When integrated with the Raymarine app and YachtSense Link, the YachtSense Digital Control System can be remotely accessed and controlled from anywhere there is internet access. Operate onboard equipment, monitor vessel systems, and respond to notifications right from the Raymarine app on your mobile phone or tablet.

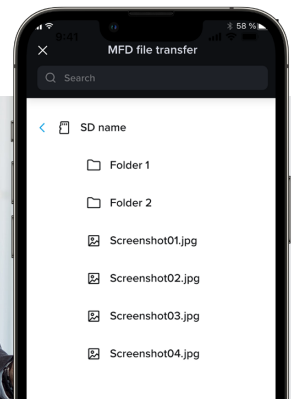


YACHTSENSE ECOSYSTEM



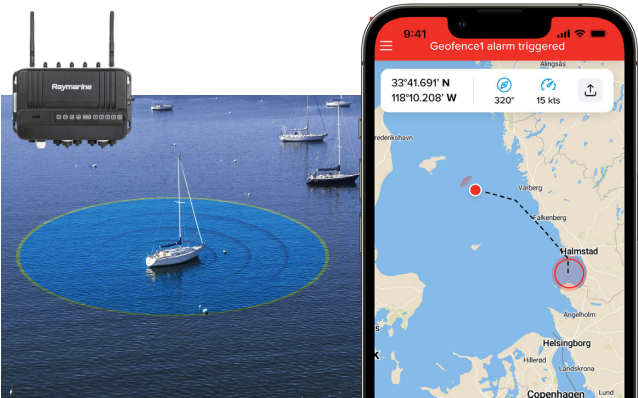
LEVEL 1: COMMAND AND CONTROL

Stream and control Axiom from your phone or tablet from anywhere onboard.



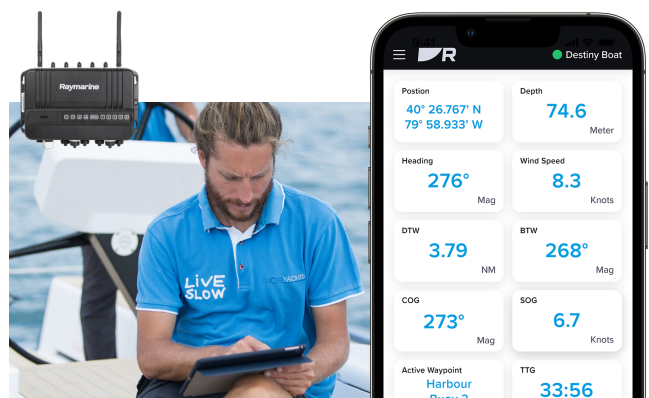
LEVEL 1: SECURE BACK UP

Critical waypoints, routes and tracks can be transferred to your mobile device.



LEVEL 2: REMOTE MONITORING

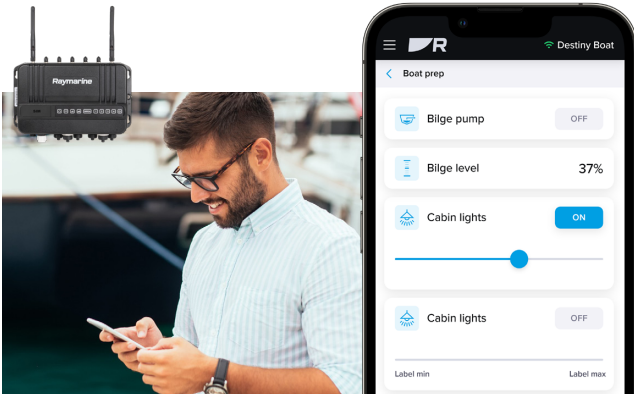
Raymarine GeoFence provides alerts and notifications if your vessel moves in or outside a safety zone.



LEVEL 2: STAY INFORMED

Connect and view real time instrument and navigation data on board or remotely.

YACHTSENSE ECOSYSTEM



LEVEL 2: REMOTE MONITORING

Monitor bilge water sensors, battery voltage, shore power, smoke alarms and more. Control is afforded with the addition of a switching relay.

LEVEL 2: ALWAYS CONNECTED

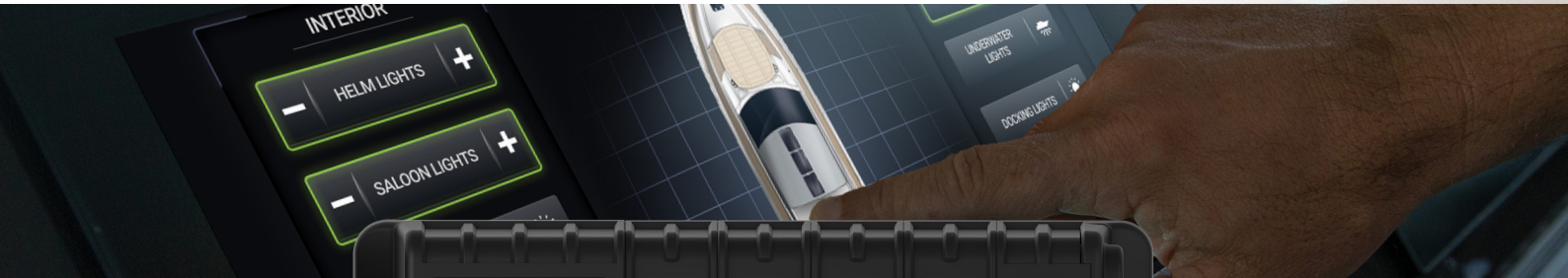
Connect Raymarine equipment, tablets, smart TVs, and other wireless devices to a unified onboard Wi-Fi network with 4G mobile broadband.

LEVEL 3: TOTAL COMMAND OF THE VESSELS ELECTRICAL SYSTEMS



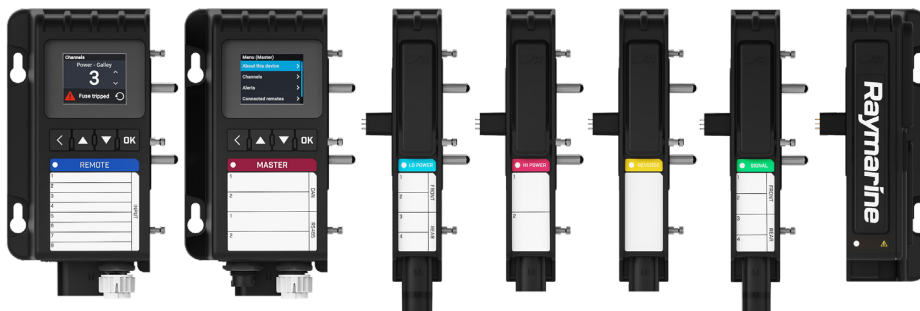
PART NO.	DESCRIPTION	MSRP
YACHTSENSE		
YACHTSENSE LINK ROUTER		
E70640	YachtSense Link Marine Mobile Router w/ 4X GB RayNet, Wi-Fi, 3G/4G, GNSS, Premium External Antenna w/10M Cable and Input/Out Cable Set	\$1,429.99

YACHTSENSE



YachtSense Digital Control System

YachtSense™ is the future of vessel automation. An advanced digital control system, YachtSense gives the captain total command and complete awareness of a vessel's electrical systems. YachtSense offers the most scalable, configurable, and fail-safe marine automation system available. The system offers intuitive control of every device, from lighting, pumps, and sunshades to wipers, windlass, and bathing platforms.



SCALABLE

Unique modular system architecture gives boat builders the freedom to design and standardize on a digital control solution that can scale across an entire model range.

ENGINEERED FOR THE UNEXPECTED

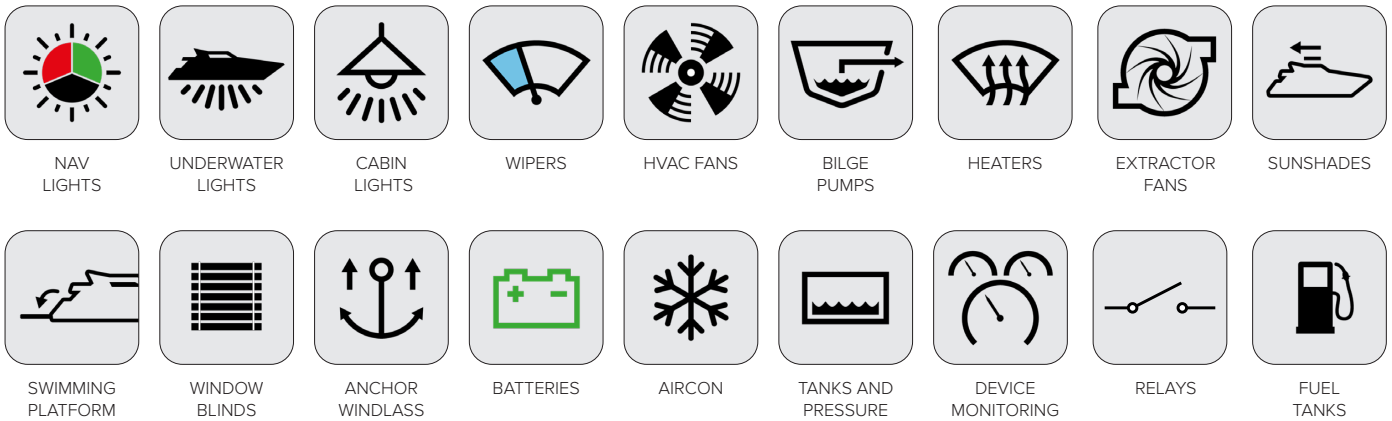
Three layers of redundancy give captains peace of mind. An integrated keypad allows for manual override while the LCD provides system diagnostics. Rugged IPX6 enclosures and backed by 3-year warranty.

YACHTSENSE



MODERN VESSEL AUTOMATION

YachtSense™ bespoke Axiom user interface options empowers boat builders to create a modern and elegant vessel automation solution. YachtSense gives captains total control from the helm or their mobile device.



PART NO.	DESCRIPTION	MSRP
YACHTSENSE DIGITAL CONTROL SYSTEM		
E70592	YachtSense Master Unit (12v or 24v) with 2 x J1939, 2 x RS485, Ethernet & STNG inputs	\$999.99
E70593	YachtSense Remote Unit (12v or 24v) with up to 8 x Signal Inputs or 8 x Signal (50mA) Outputs	\$899.99
E70594	YachtSense Low Power Output Module with 4 x 10 Amp Outputs	\$399.99
E70595	YachtSense High Power Output Module with 2 x 20 Amp Outputs	\$399.99
E70596	YachtSense Reverse Power Output Module with 1 x Bi-Directional 20 Amp Output	\$399.99
E70597	YachtSense Signal Module with up to 4 x inputs or 4 x 50mA Outputs	\$399.99
YACHTSENSE DIGITAL SWITCHING ACCESSORIES		
A80622	50 off 14~16 AWG MX150 Crimp Terminal	\$44.99
A80623	50 off 18-22 AWG MX150 Crimp Terminal	\$34.99
A80624	Molex Blanking Pins (Pack of 50)	\$14.99
A80701	External Antenna 5M Extension Cable Kit	\$384.99
A80718	External Antenna Ext. Collar Kit	\$19.99

ACCESSORIES



PART NO.	DESCRIPTION	MSRP
----------	-------------	------

STNG CABLES AND COMPONENTS

STNG CABLES AND COMPONENTS

A80674	STNG to DV Male	\$44.99
A80675	STNG to DV Female	\$44.99
E70010	iTC-5 Instrument Transducer Converter	\$314.99
E70361	Micronet to SeataKNG Gateway (Wireless Wind)	\$349.99
T70134	STNG Starter Kit (1xA06064, 2xA06031, 1xA06040, 1xA06049)	\$119.99
A25062	STNG Backbone Kit (2 x A06031, 1 x A06037, 2 x A06036, 4 x A06028, 1 x A06049)	\$284.99
E22158	ST1 to STNG Adaptor Kit (1x R52131, 2x A06031, 2x A06032, 1x A22164, 1x A06049, 1x A06039)	\$119.99
E70196	VHF NMEA0183 TO STNG Converter Kit (1x R52131, 2x A06031, 2x A06032, 1x A06071, 1x A06049, 1x A06039)	\$119.99
T12217	Cable Kit/NMEA2000 Gateway (1X A06039, 1X A06045, 1X A06064, 1X A06049, 2X A06031)	\$149.99
R52131	ST1 to STNG Converter only	\$119.99
A06049	STNG Power Cable	\$34.99
A06070	2m STNG Right Angle Power to bare wires cable	\$34.99
A06028	STNG T-Piece Connector	\$34.99
A06064	5 Way Connector	\$44.99
A06030	Extender	\$29.99
A06031	STNG Backbone Terminator	\$24.99
A06074	In-Line STNG Terminator	\$29.99
A06032	Blanking Plug	\$19.99
A80614	STNG Auxiliary Alarm with 1m Spur Cable	\$179.99
A06033	Backbone Cable 400mm	\$39.99
A06034	Backbone Cable 1m	\$44.99
A06035	Backbone Cable 3m	\$49.99
A06036	Backbone Cable 5m	\$59.99
A06068	STNG Backbone Cable 9m	\$74.99
A06037	Backbone Cable 20m	\$89.99
A06038	Spur Cable 400mm	\$39.99
A06039	Spur Cable 1m	\$44.99
A06040	Spur Cable 3m	\$49.99
A06041	Spur Cable 5m	\$59.99
A06072	White Spur Cable 6m (RS130 antenna cable)	\$69.99
A06042	Elbow spur Cable 400mm	\$39.99
A06080	STng Elbow Spur - DeviceNet socket - 1000mm	\$44.99
A06081	STng Elbow Spur - STng Straight - 1000mm	\$44.99
A06045	DeviceNet (Female) Adaptor Cable (0.4m)	\$44.99

ACCESSORIES



PART NO.	DESCRIPTION	MSRP
A06083	Devicenet (Male) to STng (Female) Adaptor	\$34.99
A06084	Devicenet (Male) to STng (Female) Adaptor - 90 Degrees	\$34.99
A06079	Devicenet (Female) to STng Cable, 120mm	\$44.99
A06075	STNG to Devicenet (Female) Adaptor Cable (1m)	\$44.99
A06082	STng (Male) to Devicenet (Female) Adaptor	\$34.99
A06077	STNG Right Angle Adaptor	\$29.99
A06078	Cable STng White Socket to DeviceNet Socket 140mm)	\$34.99
A06076	STNG to Devicenet (Male) Adaptor Cable (1m)	\$44.99
A06046	DeviceNet (Male) Adaptor Cable (1.5m)	\$44.99
A06047	ST1 Adaptor Cable (3 Pin)	\$29.99
A06073	STNG-ST1 Spur Cable 1m	\$24.99
A06048	ST2 Adaptor Cable (5 Pin)	\$29.99
A06043	Spur to Stripped End Cable 1m	\$44.99
A06044	Spur to Stripped End Cable 3m	\$49.99
R12112	1m STNG to SPX Moulded Cable	\$64.99

ACCESSORIES

PART NO.	DESCRIPTION	MSRP
NETWORK CABLES AND COMPONENTS		
NETWORK CABLES AND COMPONENTS		
E70640	YachtSense Link Marine Mobile Router w/ 4X GB RayNet, Wi-Fi, 3G/4G, GNSS, Premium External Antenna w/10M Cable and Input/Out Cable Set	\$1,429.99
A80007	HS-5 Network Switch (RayNet)	\$359.99
A80731	RNS-5 - 5 Port RayNet Gigabit Switch	\$399.99
E55060	SeaTalkHS Crossover Coupler	\$34.99
4115028	Connector, RF45 Waterproof Enclosure	\$24.99
A80247	RayNet to RJ45 (F) Adaptor - 100mm	\$74.99
A62360	RayNet (F) to RJ45 (M) cable - 1m	\$74.99
A80151	RayNet (F) to RJ45 (M) cable - 3m	\$79.99
A80159	RayNet (F) to RJ45 (M) cable - 10m	\$129.99
308-0251-30-00	RayNet (Female) to RJ45 (Male) Cable, 30M	\$104.99
308-0252-30-00	RayNet Right Angle (Female) to RJ45 (Male) Cable, 30M	\$104.99
A80161	RayNet (F) to RayNet (F) cable - 400mm	\$74.99
A62361	RayNet (F) to RayNet (F) cable - 2m	\$94.99
A80005	RayNet (F) to RayNet (F) cable - 5m	\$119.99
A62362	RayNet (F) to RayNet (F) cable - 10m	\$154.99
A80512	RayNet Right Angle (F) to RayNet Straight (F) Cable, 10M	\$104.99
A80006	RayNet (F) to RayNet (F) cable - 20m	\$199.99
A80162	RayNet (M) to RayNet (M) cable - 100mm	\$74.99
A80262	RayNet (Male) Right Angle Adaptor	\$44.99
A80160	RayNet (F) to SeaTalkHS (F) adaptor - 400mm	\$74.99
A80276	RayNet (F) to STHS (M) Cable - 3m	\$89.99
A80272	RayNet Male to STHS Male water tight for DSM or legacy MFD connection to open RayNet Female cable	\$74.99
E55049	SeaTalkHS Network Cable 1.5m	\$69.99
E55050	SeaTalkHS Network Cable 5m	\$134.99
E55051	SeaTalkHS Network Cable 10m	\$179.99
A62135	SeaTalkHS Network Cable 15m	\$174.99
E55052	SeaTalkHS Network Cable 20m	\$274.99
A62245	SeaTalkHS Dual End WeatherProof Network Cable 1.5m	\$74.99
A62246	SeaTalkHS Dual End WeatherProof Network Cable 15m	\$189.99
E06054	SeaTalkHS Patch Cable 1.5m	\$59.99
E06055	SeaTalkHS Patch Cable 5m	\$104.99
E06056	SeaTalkHS Patch Cable 10m	\$149.99
A62136	SeaTalkHS Patch Cable 15m	\$184.99
E06057	SeaTalkHS Patch Cable 20m	\$224.99
R70014	RayNet Cable Puller - 5 pk	\$29.99
ST1 CABLES AND COMPONENTS		
D244	3 Way SeaTalk Junction Block	\$39.99
D230	SeaTalk Extension Cable 400mm	\$39.99
D284	SeaTalk Extension Cable 1m	\$44.99
D285	SeaTalk Extension Cable 3m	\$49.99
D286	SeaTalk Extension Cable 5m	\$54.99
D287	SeaTalk Extension Cable 9m	\$59.99
E25051	SeaTalk Extension Cable 12m	\$64.99
D288	SeaTalk Extension Cable 20m	\$94.99
E55054	SeaTalk Alarm Out Cable 1.5m	\$64.99

ACCESSORIES

PART NO.	DESCRIPTION	MSRP
SCANSTRUT MOUNTS & ACCESSORIES		
A80571	ScanStrut M132/M232 Thermal camera Mast Mount Bracket	\$329.99
A80382	ScanStrut Quantum Radome Mast Mount	\$504.99
M92722	ScanStrut Mast Mount Bracket for 18" Radome Scanner	\$569.99
M92698	ScanStrut Mast Mount Bracket for 24" Radome Scanner	\$514.99
X10006-SCA	Scanstrut Radar Guard for M92722 suitable for 18" Radome (not compatible with Quantum)	\$324.99
X10000-SCA	ScanStrut Self Leveling Mast Mount for 18"/24" Radome Scanner	\$1,474.99
APT-150-01	ScanStrut 5" PowerTower for Quantum & HD Radome	\$429.99
APT-250-01	ScanStrut 10" PowerTower for Quantum & HD Radome	\$449.99
A80103	ScanStrut Deck/Dash Mounted Pod for 9" Display	\$684.99
APT-GPS-01	ScanStrut GPS/VHF Accessory Bar for PowerTower	\$169.99
APT-LB-01	ScanStrut Nav Light Accessory Bar for PowerTower	\$229.99
APT-LB-GPS2-01	ScanStrut Nav Light & 2 X GPS/VHF Accessory Bar for PowerTower	\$384.99

WARRANTY



Raymarine's Global Limited Warranty is effective for qualifying products purchased on or after 1st July 2017. Raymarine UK Ltd. and its affiliates ("RAYMARINE") warrants RAYMARINE products purchased directly from RAYMARINE, from an approved RAYMARINE dealer (visit raymarine.eu/DealerLocator to find and contact your local approved RAYMARINE dealer), or installed on a new vessel by an authorized boat builder, known as the Original Equipment Manufacturer (OEM) (the "Products"), to be free from defects in material and workmanship for;

- (i) Dragonfly Products for one (1) year ("Dragonfly Limited Warranty Period"); and
- (ii) Standard Products for two (2) years ("Standard Limited Warranty Period"); from

(a) the date the Products were first purchased; or (b) in the case of Products installed on a new vessel by an authorized OEM, the date the vessel was first delivered (the "Purchase Date") to the first retail customer (the "Original Customer").

All prior RAYMARINE warranty policies, procedures and points of contact are superseded and replaced by this RAYMARINE Global Limited Warranty.

Except for Dragonfly Products, Warranty Replacement Product, Refurbished Product and Products used for regular commercial, military, law enforcement or related purposes, by registering your new Product with RAYMARINE, you can upgrade the 2-year Standard Limited Warranty to a 3-year Extended Limited Warranty at no additional cost.

In some countries and for most Products, RAYMARINE also offers a Warranty Replacement service and On-Board Warranty. These services, when available, are designed to help minimize the down-time of Products that may require warranty repair.

Your Proof of Purchase documentation is important. Please keep it in a safe place. If you need a warranty service your proof of purchase will be required.

RAYMARINE Products are not a substitute for possessing and exercising the independent judgment and skill needed to safely and effectively operate any vessel or engage in any marine activity.

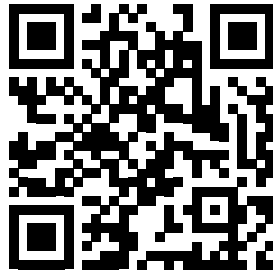
Raymarine

FIND A DEALER



To find your nearest Raymarine dealer, scan the QR code or enter the following URL into your internet browser <https://www.raymarine.com/en-us/find-your-local-dealer>





SCAN THE ABOVE QR CODE TO VIEW OUR WEBSITE

Export Restrictions

The information contained in this brochure pertains to dual use products controlled for export by the Export Administration Regulations (EAR). Diversion contrary to US law is prohibited. US Department of Commerce authorization is not required prior to export or transfer to foreign persons or parties unless otherwise prohibited.

Photography:

Dufour; Jason Arnold; Adrian Gray; Ice Yachts; Joe McCarthy;
Sundeck; Matt Dickins

22-0858-MAR / 2023 / US / v1.0

Raymarine®