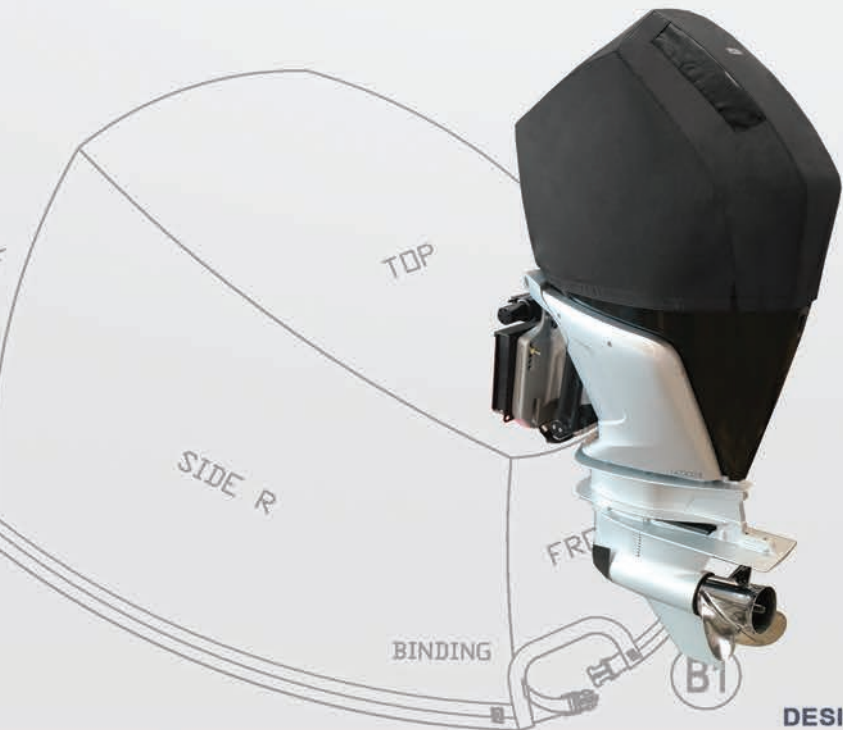


OCEANSOUTH

2022 CATALOGUE



DESIGNERS & MANUFACTURERS OF MARINE PRODUCTS



OCEANSOUTH EUROPE GmbH



OCEANSOUTH USA INC



OCEANSOUTH JIANGSU CO. LTD.



OCEANSOUTH CHINA CO. LTD.



OCEANSOUTH AUSTRALIA



OCEANSOUTH NEW ZEALAND LTD



OCEANSOUTH AUSTRALIA

1-3 Urban Street, Braeside,
Victoria 3195,
Tel: +61 3 9580 0015
Fax: +61 3 9580 7844
sales@oceansouth.com.au



OCEANSOUTH NEW ZEALAND LTD

60 Hillside Road, Wairau Valley,
Auckland 0627,
Tel: +64 9 5513054
Fax: +64 9 5513053
sales@oceansouth.co.nz



OCEANSOUTH USA INC

3906-3908 NW 126th Avenue,
Coral Springs, Florida 33065
Tel: +1 954 575 8444
Fax: +1 954 575 8899
sales@oceansouth.us



OCEANSOUTH EUROPE GmbH

Zeppelinstraße 9
28844 Weyhe, Germany
Tel: +49-(0)4404-20 900 30
sales@oceansouth.de



OCEANSOUTH JIANGSU CO. LTD.

Creative Industrial Park,
Taixing, Jiangsu
China



OCEANSOUTH CHINA CO. LTD.

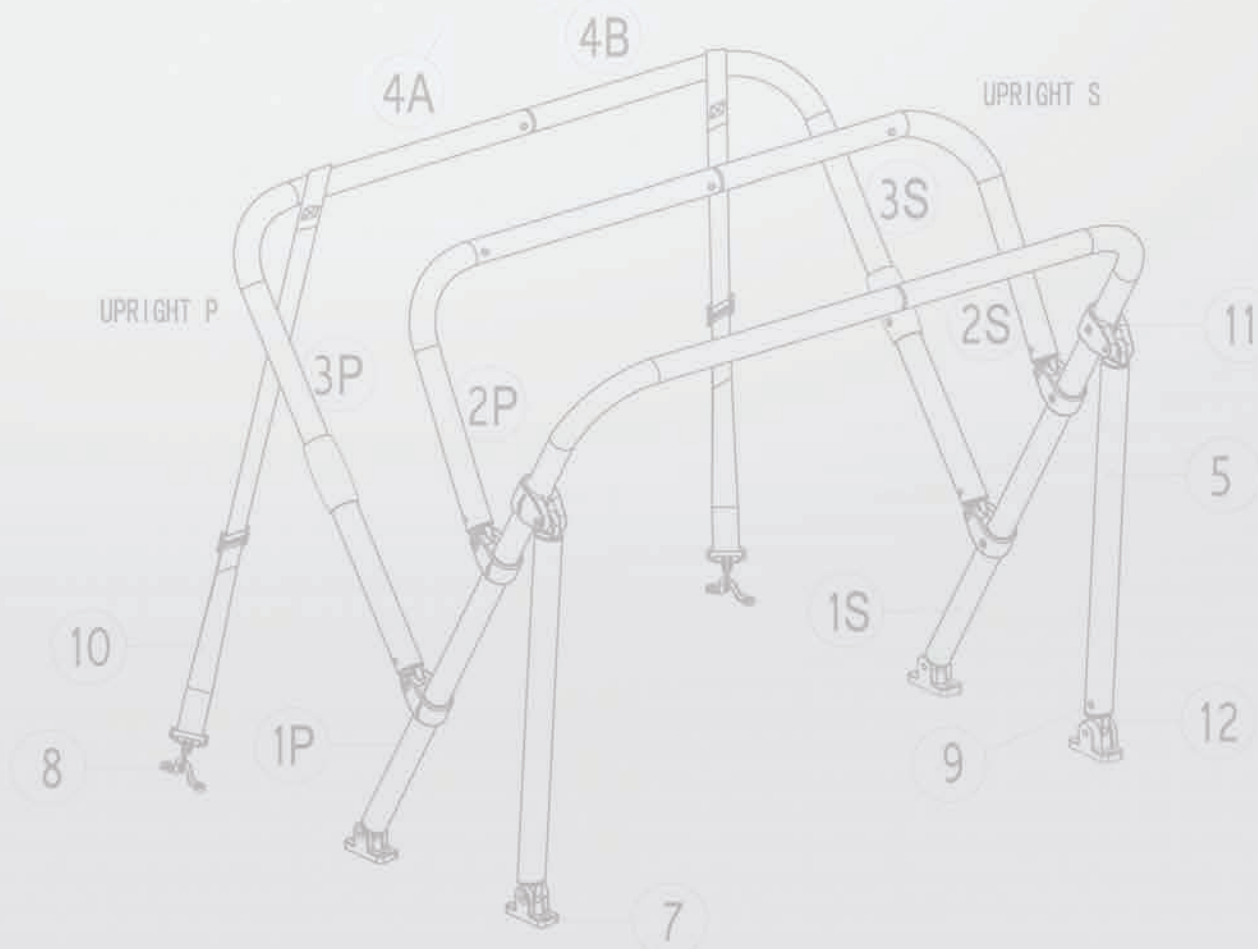
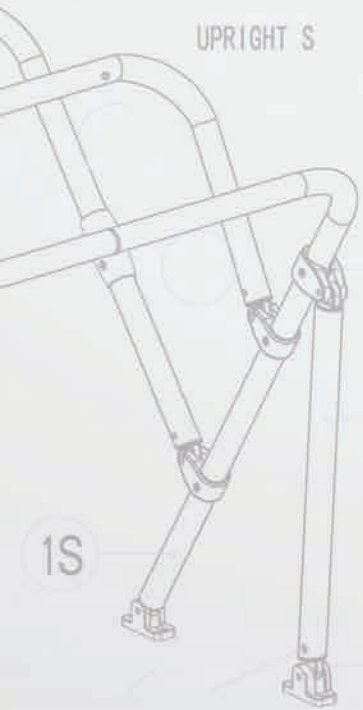
938 Nanfeng Road, Fengcheng,
Fengxian, Shanghai 201411
Tel: +86 21 5752 2291
Fax: +86 21 5752 1753
info@oceansouth.com

| PAGE | PRODUCTS |
|--------------------|---|
| BIMINI TOPS | |
| 06 | Large Stainless Steel Bimini Tops |
| 07 | Sailboat Bimini Top Stainless Steel |
| 08 | Stainless Steel 3 Bow Bimini Top |
| 09 | Stainless Steel 4 Bow Bimini Top |
| 10 | Stainless Steel Bimini Components |
| 12 | 2 Bow Bimini Aluminium |
| 12 | 3 Bow Bimini Aluminium |
| 13 | 4 Bow Bimini Aluminium |
| 14 | Whitewater Pro Bimini Aluminium |
| 14 | Whitewater Pro Bimini Aluminium - Combo |
| 15 | Whitewater Bimini Aluminium |
| 15 | Whitewater Bimini Aluminium - Combo |
| 16 | 'Clamp-on' Rocket Launcher |
| 17 | Bimini Top Extension Kit |
| 18 | Components |
| TOPS | |
| 20 | Heavy Duty T-Tops - Console Mount |
| 21 | Heavy Duty T-Tops - Deck Mount |
| 22 | T-Top |
| 23 | Seagull T-Top - Retractable |
| 24 | Fisherman Top |
| 26 | Deck Top |
| 27 | Targa Top |
| 27 | Clear / Enclosure for Targa Top |
| 28 | Rocket Launcher |
| 29 | Boat Arch |
| 30 | Components |
| 32 | Bow Shade Extension |
| 32 | Stern Shade Extension |
| 34 | Enclosure T-Top |
| 34 | Console Cover for T-Top |

| PAGE | PRODUCTS |
|--------------------------------|--|
| BOAT COVERS | |
| 36 | ATLAS Fabrics |
| 37 | Jumbo Boat Cover |
| 38 | Pilot/Cruiser Boat Cover |
| 39 | T-Top Boat Cover |
| 40 | Bowrider Boat Cover |
| 41 | XL Bowrider Boat Cover |
| 42 | Runabout Boat Cover |
| 43 | XL Runabout Boat Cover |
| 44 | Centre Console Boat Cover |
| 45 | Open Boat Cover |
| 46 | Side Console Boat Cover |
| 47 | Cabin Cruiser Boat Cover |
| 48 | Jet Ski Cover |
| 49 | Universal Waterproof Storage Cover |
| 49 | Universal Trailerable Cover |
| 50 | Boat Cover Components |
| 52 | Inflatable Boat Cover |
| 53 | Rib Boat Cover - Style A Trailerable |
| 54 | Rib Boat Cover - with Arch Full Storage |
| 55 | Rib Boat Cover - with T-Top Full Storage |
| 56 | Boat Cover Measuring Instructions |
| OUTBOARD MOTOR COVERS | |
| 58 | Mercury Half, Full & Vented Cover |
| 60 | Yamaha Half, Full & Vented Cover |
| 62 | Suzuki Half, Full & Vented Cover |
| 64 | Honda Half, Full & Vented Cover |
| 66 | Evinrude Half, Full & Vented Cover |
| 68 | Universal Half Cover |
| 69 | Universal Full Cover |
| 70 | Outboard Motor Carry Bag |
| PEDESTALS & SWIVELS | |
| 72 | Economy / Adjustable Seat Pedestal |

| PAGE | PRODUCTS |
|----------------------------------|--|
| 73 | Fixed Seat Pedestal |
| 73 | Waverider Seat Pedestal |
| 74 | Socket Pedestals Flat & Dome Base |
| 75 | Waverider Pedestals Flat & Dome Base |
| 76 | Titan Swivels & Coated Metal Swivel |
| BOAT SEATS | |
| 78 | C Seat |
| 79 | Fisherman Seat |
| 80 | Deluxe Seat |
| 81 | High Back Deluxe Seat |
| 82 | Sirocco Seat |
| 84 | Small & Large Seat Cover |
| 86 | Boat Cushions |
| 88 | Boat Bench Cushions |
| 88 | Boat Bench Cushions with Pockets |
| FISHING GEAR | |
| 90 | Large Bait Board |
| 91 | Extra Large Bait Board |
| 92 | Small Bait Board / Gunwale Storage Bin |
| 93 | Rod Rack / Sea Anchor |
| 94 | Quick Lift Rod Holders |
| 94 | Rectangle 90° & Oval 30° Rod Holders |
| LADDERS | |
| 96 | Short Base / Long Base 316 SS Ladder |
| 97 | Gunwale / Fold Away Aluminium Ladder |
| 98 | Handrails |
| 100 | Stone Guard |
| HOOKS, PADDLES & OARS | |
| 102 | Boat Hooks / Paddles |
| 103 | Standard Paddle with T Handle |
| 103 | Telescopic Paddles |
| 104 | Kayak Paddles |
| 104 | Asymmetric Kayak Paddles |

| PAGE | PRODUCTS |
|------------------------------|-------------------------------|
| 105 | Aluminium Oars |
| 106 | Heavy Duty Oars |
| 107 | Heavy Duty Oars - Split Shaft |
| 108 | Outboard Backing Plate |
| 109 | Large / Mini Signal Horn |
| SAILING DINGHY COVERS | |
| 112 | Covers for OPTIMIST |
| 112 | Covers for LASER |
| 112 | Covers for 420 |
| 112 | Covers for 470 |
| 113 | Covers for FINN |
| 113 | Covers for 29ER |
| 113 | Covers for 49ER |
| 113 | Covers for BIC |
| 114 | Covers for RS AERO |
| 114 | Covers for RS QUEST |
| 114 | Covers for RS 100 |
| 114 | Covers for RS 200 |
| 115 | Covers for TASAR |
| 115 | Covers for PACER |
| 115 | Covers for CADET |
| 115 | Covers for OK |
| 116 | Covers for IMPULSE |
| 116 | Covers for MIRROR |
| 116 | Covers for MINNOW |
| 118 | Flush Hatch Covers |
| 119 | Low Profile Hatch Covers |
| 120 | High Profile Hatch Covers |
| 121 | Wheel Covers |
| 121 | Cockpit Covers |
| 122 | Winch Covers |
| 123 | Sailboat Awning |
| 124 | Sailing Yacht Deck Covers |



STAINLESS STEEL BIMINI TOPS

LARGE STAINLESS STEEL BIMINI TOPS

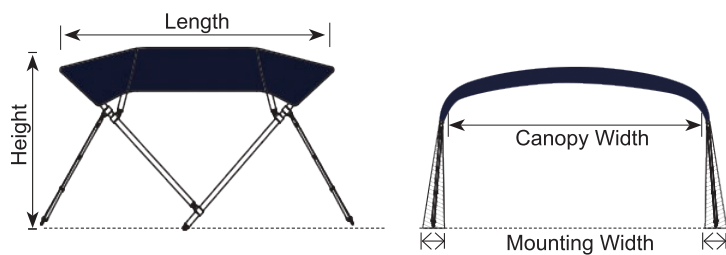


Premium quality Bimini Tops

- Top stitched double seams, sewn with UV bonded thread for maximum strength.
- Integrated storage boot & support poles supplied.
- 316 Stainless Steel components



ATLAS ATLAS GOLDEN RANGE
DOPE DYED POLYESTER CANVAS
310 g/m² - 9.14 oz/yd²



| SKU | HEIGHT | LENGTH | CANOPY WIDTH | MOUNTING WIDTH |
|----------|--------|--------|--------------|----------------|
| MA 066-1 | 1.35m | 2.2m | 1.95m | 1.8 - 2.1m |
| MA 066-2 | 1.35m | 2.2m | 2.25m | 2.1 - 2.4m |
| MA 066-3 | 1.55m | 2.5m | 2.55m | 2.4 - 2.7m |
| MA 066-4 | 1.55m | 2.5m | 2.85m | 2.7 - 3.0m |
| MA 066-5 | 1.55m | 2.5m | 3.15m | 3.0 - 3.3m |

F066-1, F066-2, F066-3, F066-4, F065-5 Replacement Fabric | *COLOUR SKU REQUIRED WHEN ORDERING



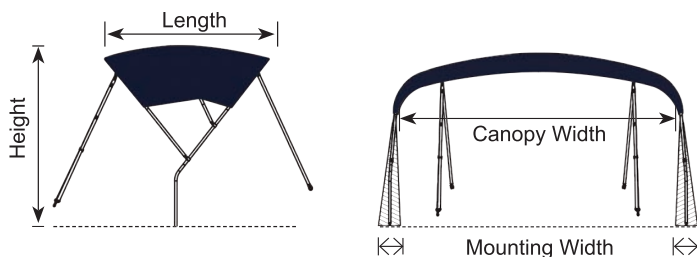
Ø25mm 316 STAINLESS STEEL TUBE
DOUBLE WALL THICKNESS

Premium quality Bimini Tops

- Top stitched double seams, sewn with UV bonded thread for maximum strength.
- Integrated storage boot & support poles supplied.
- 316 Stainless Steel components



ATLAS GOLDEN RANGE
DOPE DYED POLYESTER CANVAS
310 g/m² - 9.14 oz/yd²



| SKU | HEIGHT | LENGTH | CANOPY WIDTH | MOUNTING WIDTH |
|----------|--------|--------|--------------|----------------|
| MA 065-1 | 1.35m | 1.3m | 1.95m | 1.8 - 2.1m |
| MA 065-2 | 1.35m | 1.3m | 2.25m | 2.1 - 2.4m |
| MA 065-3 | 1.55m | 1.6m | 2.55m | 2.4 - 2.7m |
| MA 065-4 | 1.55m | 1.6m | 2.85m | 2.7 - 3.0m |
| MA 065-5 | 1.55m | 1.6m | 3.15m | 3.0 - 3.3m |

F065-1, F065-2, F065-3, F065-4, F065-5 Replacement Fabric | *COLOUR SKU REQUIRED WHEN ORDERING

STAINLESS STEEL 3 BOW BIMINI TOPS



Ø25mm 316 STAINLESS STEEL TUBE & COMPONENTS

Premium quality Bimini Tops with Integrated Storage Boot

SUITABLE FOR



Open Boats



Runabouts



ATLAS GOLDEN RANGE
DOPE DYED POLYESTER CANVAS
310 g/m² - 9.14 oz/yd²



| SKU | CANOPY WIDTH | MOUNTING WIDTH |
|----------|--------------|----------------|
| MA 262-1 | 1.4m | 1.5 - 1.7m |
| MA 262-2 | 1.6m | 1.7 - 1.9m |
| MA 262-3 | 1.8m | 1.9 - 2.1m |

F062-1, F062-2, F062-3 - Replacement Fabric | *COLOUR SKU REQUIRED WHEN ORDERING



Ø25mm 316 STAINLESS STEEL TUBE & COMPONENTS

Premium quality Bimini Tops with Integrated Storage Boot

SUITABLE FOR



Open Boats



Runabouts



Center Console



ATLAS GOLDEN RANGE
DOPE DYED POLYESTER CANVAS
310 g/m² - 9.14 oz/yd²



| SKU | CANOPY WIDTH | MOUNTING WIDTH |
|----------|--------------|----------------|
| MA 263-1 | 1.4m | 1.5 - 1.7m |
| MA 263-2 | 1.6m | 1.7 - 1.9m |
| MA 263-3 | 1.8m | 1.9 - 2.1m |
| MA 263-4 | 2.0m | 2.1 - 2.3m |

F063-1, F063-2, F063-3, F063-4 - Replacement Fabric | *COLOUR SKU REQUIRED WHEN ORDERING

STAINLESS STEEL BIMINI COMPONENTS

22001*
UNIVERSAL HINGE DECK MOUNT
 316 Stainless Steel

22009*
FIXED DECK MOUNT
 316 Stainless Steel

22012*
SADDLE EYE STRAP
 Stainless Steel

21012*
WEBBING SADDLE FLAT
 25mm (1") Stainless Steel

MA 051-6*
BIMINI SUPPORT POLES
 Ø25 Fixed
 316 Stainless Steel
 Length: 1050mm

22002*
KNUCKLE
 Ø25mm
 316 Stainless Steel

22003*
HINGE KNUCKLE
 Ø25mm
 316 Stainless Steel

21010*
WEBBING SNAP HOOK
 25mm (1") webbing
 316 Stainless Steel

21016*
LADDER LOCK BUCKLE
 25mm (1")
 Nylon

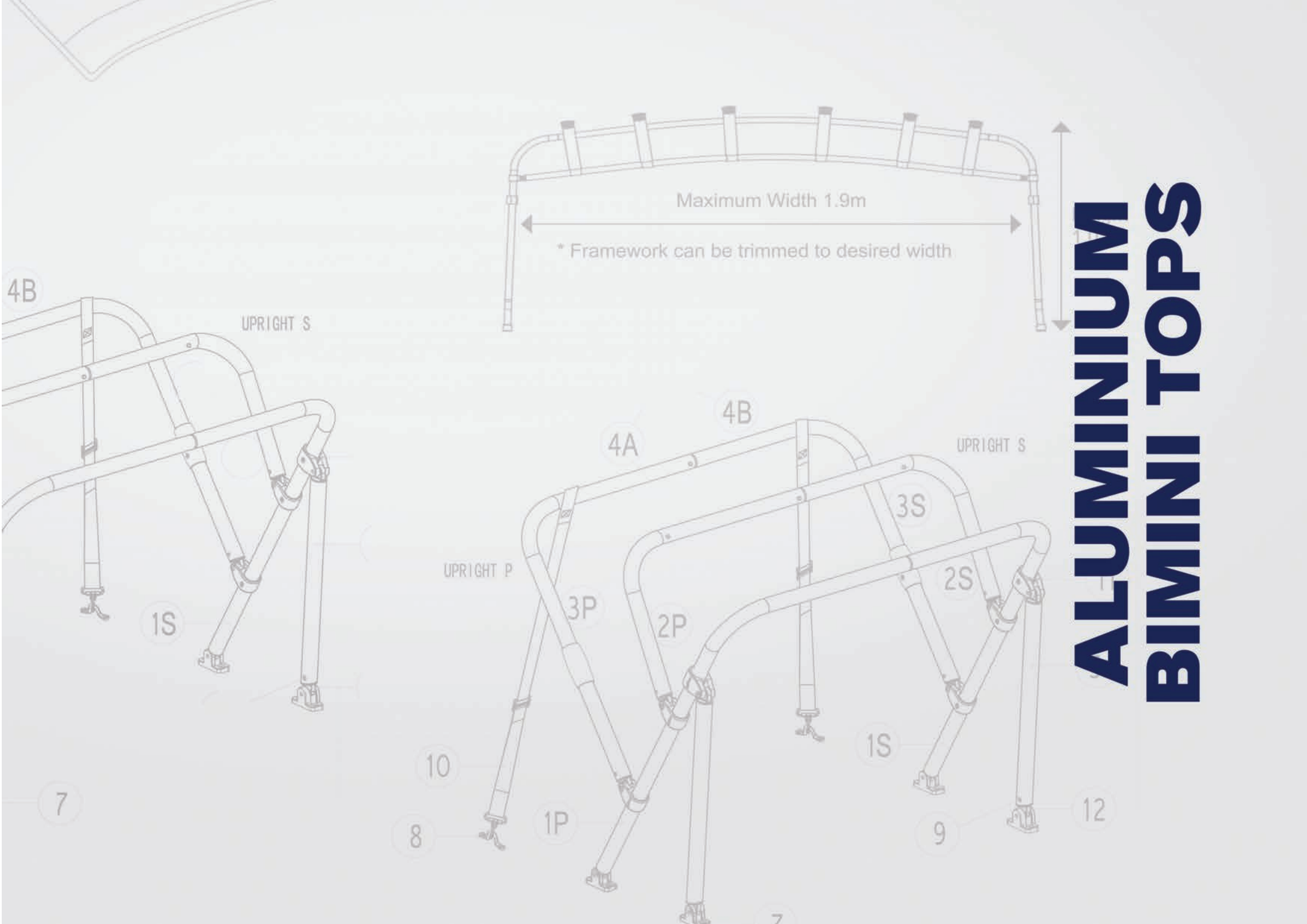
22004*
TUBE END CAP
 Ø25mm
 316 Stainless Steel

22005*
TUBE END CAP INTERNAL
 Ø25mm
 316 Stainless Steel

21013*
BIMINI TIE DOWN KIT (PAIR)

101*
316 STAINLESS STEEL TUBE
 O.D - Ø25.40mm (1") W.T - 1.2mm

* Denotes Product SKU



ALUMINIUM BIMINI TOPS

ALUMINIUM 2 BOW BIMINI TOP

Ø25mm ANODISED ALUMINIUM TUBE



Premium quality Bimini Tops with Integrated Storage Boot

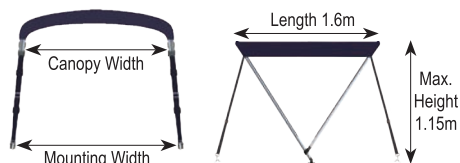
SUITABLE FOR



Open Boats



Inflatable Boats



ATLAS GOLDEN RANGE
DOPE DYED POLYESTER CANVAS
310 g/m² - 9.14 oz/yd²



(Blue) **B** (Black) **BK**

| SKU | CANOPY WIDTH | MOUNTING WIDTH |
|----------|--------------|----------------|
| MA 060-1 | 1.0m | 1.1 - 1.3m |
| MA 060-2 | 1.2m | 1.3 - 1.5m |
| MA 060-3 | 1.4m | 1.5 - 1.7m |

F060-1, F060-2, F060-3 - Replacement Fabric | *COLOUR SKU REQUIRED WHEN ORDERING

ALUMINIUM 3 BOW BIMINI TOP

Ø25mm ANODISED ALUMINIUM TUBE



Premium quality Bimini Tops with Integrated Storage Boot

SUITABLE FOR



Open Boats



Runabouts



ATLAS GOLDEN RANGE
DOPE DYED POLYESTER CANVAS
310 g/m² - 9.14 oz/yd²



(Blue) **B** (Black) **BK** (Grey) **G** (Sand) **S** (Maroon) **M**

| SKU | CANOPY WIDTH | MOUNTING WIDTH |
|----------|--------------|----------------|
| MA 062-1 | 1.4m | 1.5 - 1.7m |
| MA 062-2 | 1.6m | 1.7 - 1.9m |
| MA 062-3 | 1.8m | 1.9 - 2.1m |

F062-1, F062-2, F062-3 - Replacement Fabric | *COLOUR SKU REQUIRED WHEN ORDERING



Premium quality Bimini Tops with Integrated Storage Boot

SUITABLE FOR

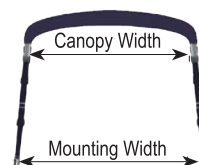


ATLAS GOLDEN RANGE
DOPE DYED POLYESTER CANVAS
310 g/m² - 9.14 oz/yd²

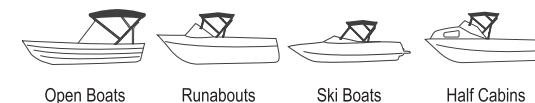


| SKU | CANOPY WIDTH | MOUNTING WIDTH |
|----------|--------------|----------------|
| MA 063-1 | 1.4m | 1.5 - 1.7m |
| MA 063-2 | 1.6m | 1.7 - 1.9m |
| MA 063-3 | 1.8m | 1.9 - 2.1m |
| MA 063-4 | 2.0m | 2.1 - 2.3m |

F063-1, F063-2, F063-3, F063-4 - Replacement Fabric | *COLOUR SKU REQUIRED WHEN ORDERING



SUITABLE FOR



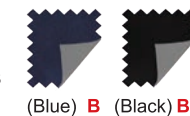
PRO BIMINI TOP - WHITEWATER WITH ROCKET LAUNCHER



SUPPLIED AS A COMPLETE UNIT,



ATLAS GOLDEN RANGE
DOPE DYED POLYESTER CANVAS
310 g/m² - 9.14 oz/yd²



| SKU | CANOPY WIDTH | MOUNTING WIDTH |
|----------|--------------|----------------|
| MA 095-1 | 1.3m | 1.5 - 1.7m |
| MA 095-2 | 1.5m | 1.7 - 1.9m |
| MA 095-3 | 1.7m | 1.9 - 2.1m |

F095-1, F095-2, F095-3 Replacement Fabric | *COLOUR SKU REQUIRED WHEN ORDERING

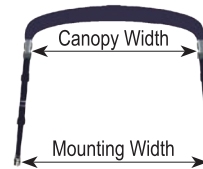


SUPPLIED AS A COMPLETE UNIT,

| SKU | CANOPY WIDTH | MOUNTING WIDTH |
|----------|--------------|----------------|
| MA 099-1 | 1.3m | 1.5 - 1.7m |
| MA 099-2 | 1.5m | 1.7 - 1.9m |
| MA 099-3 | 1.7m | 1.9 - 2.1m |

F099-1, F099-2, F099-3 Replacement Fabric | *COLOUR SKU REQUIRED WHEN ORDERING

MA 090



SUITABLE FOR



Open Boats Runabouts Ski Boats Half Cabins

NEW
BIMINI TOP - WHITEWATER WITH ROCKET LAUNCHER

MA 093



ATLAS GOLDEN RANGE
DOPE DYED POLYESTER CANVAS
310 g/m² - 9.14 oz/yd²



| SKU | CANOPY WIDTH | MOUNTING WIDTH |
|----------|--------------|----------------|
| MA 090-0 | 1.2m | 1.3 - 1.5m |
| MA 090-1 | 1.4m | 1.5 - 1.7m |
| MA 090-2 | 1.6m | 1.7 - 1.9m |
| MA 090-3 | 1.8m | 1.9 - 2.1m |
| MA 090-4 | 2.0m | 2.1 - 2.3m |

F090-0, F090-1, F090-2, F090-3, F090-4 Replacement Fabric | *COLOUR SKU REQUIRED WHEN ORDERING

| SKU | CANOPY WIDTH | MOUNTING WIDTH |
|----------|--------------|----------------|
| MA 093-0 | 1.2m | 1.3 - 1.5m |
| MA 093-1 | 1.4m | 1.5 - 1.7m |
| MA 093-2 | 1.6m | 1.7 - 1.9m |
| MA 093-3 | 1.8m | 1.9 - 2.1m |
| MA 093-4 | 2.0m | 2.1 - 2.3m |

F093-0, F093-1, F093-2, F093-3, F093-4 Replacement Fabric | *COLOUR SKU REQUIRED WHEN ORDERING

'CLAMP ON' ROCKET LAUNCHER

The 'Clamp-on' Rocket Launcher has been designed to team with just about any Bimini or canopy with 25mm framework. The sleek and robust design will compliment any boat top.

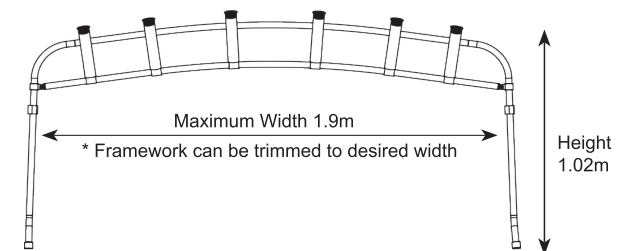
- Attaches to Bimini constructed with 25mm tube.
- Fits Bimini or Canopies up to 1.9m Canopy width.
- Alloy Double Knuckle Clamp attaches Rocket Launcher firmly to Bimini Frame.
- All fasteners made from 316 grade Stainless Steel.
- Can be trimmed to suit your Bimini width.



OPTIONAL COMPONENTS

| | |
|---|---|
| <p>21014* DOUBLE KNUCKLE CLAMP Ø25mm Alloy</p>  | <p>21151* ROD HOLDER High impact polymer Metallic Finish Ø25mm</p>  |
|---|---|

* Denotes Product SKU

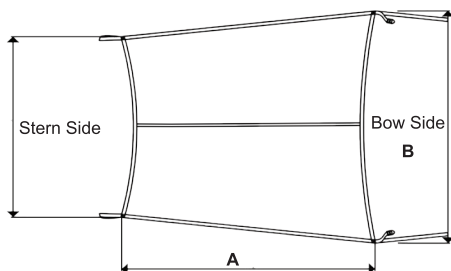


| | |
|---------------|----------------------|
| SKU | MAXIMUM WIDTH |
| MA 110 | 1.9m |

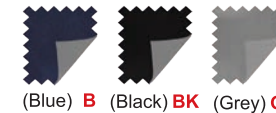


Versatile sun shade kit which extends the shaded area of the Bimini.
 Takes only a few minutes to install and easily folded for compact storage.
 Can be used at anchor or motoring up to 20 knots.

- Ø32mm - Ø25mm Adjustable Aluminium poles with tapered collar ends, fit securely into rod holder mounts.
- Excellent tear and abrasion resistance.
- Polyester webbing straps with adjustment buckles.
- Webbing reinforced surround edges and attachment loops.



ATLAS ATLAS GOLDEN RANGE
 DOPE DYED POLYESTER CANVAS
 310 g/m² - 9.14 oz/yd²



| SKU | A | B |
|----------|------|------|
| MA 046-1 | 1.7m | 1.7m |
| MA 046-2 | 1.7m | 2.1m |

***COLOUR SKU REQUIRED WHEN ORDERING**

KNUCKLES

21004*
KNUCKLE
 Ø25mm
 Nylon



21038*
KNUCKLE CLOSED STYLE
 Ø25mm
 Nylon



21014*
DOUBLE KNUCKLE CLAMP
 Ø25mm
 Alloy



21151*
ROD HOLDER
 High impact polymer
 Metallic Finish
 Ø25mm



TUBE ENDS

21005*
TUBE END
 Ø25mm x 1.6mm
 Nylon



21039*
TUBE END
 Ø25mm x 3mm
 Nylon



DECKMOUNTS

21036*
UNIVERSAL HINGE DECK MOUNT
 Nylon



21001*
DECK MOUNT
 Nylon



21037*
DECK MOUNT NARROW
 Nylon



50390*
DECK MOUNT
 Inflatable Boat



22012*
SADDLE EYE STRAP
 Stainless Steel



21012*
WEBBING SADDLE FLAT
 25mm (1")
 Stainless Steel



21010*
WEBBING SNAP HOOK
 25mm (1") webbing
 Stainless Steel



21016*
LADDERLOCK BUCKLE
 25mm (1")
 Nylon



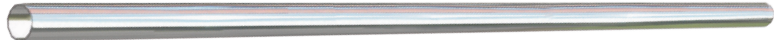
21006-2*
THUMB SCREW
 1/4" thread suits
 Deck mount &
 Knuckle
 Nylon



21013*
BIMINI TIE DOWN KIT (PAIR)



103* **ANODISED ALUMINIUM TUBE**
 25mm (1") W.T - 1.6mm



BIMINI SUPPORT POLES



TELESCOPIC
 MA 051-3

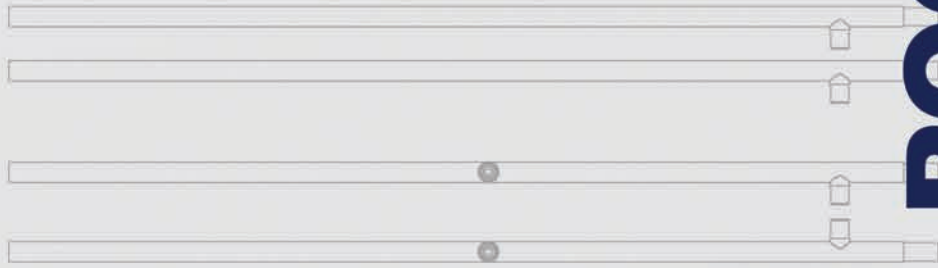
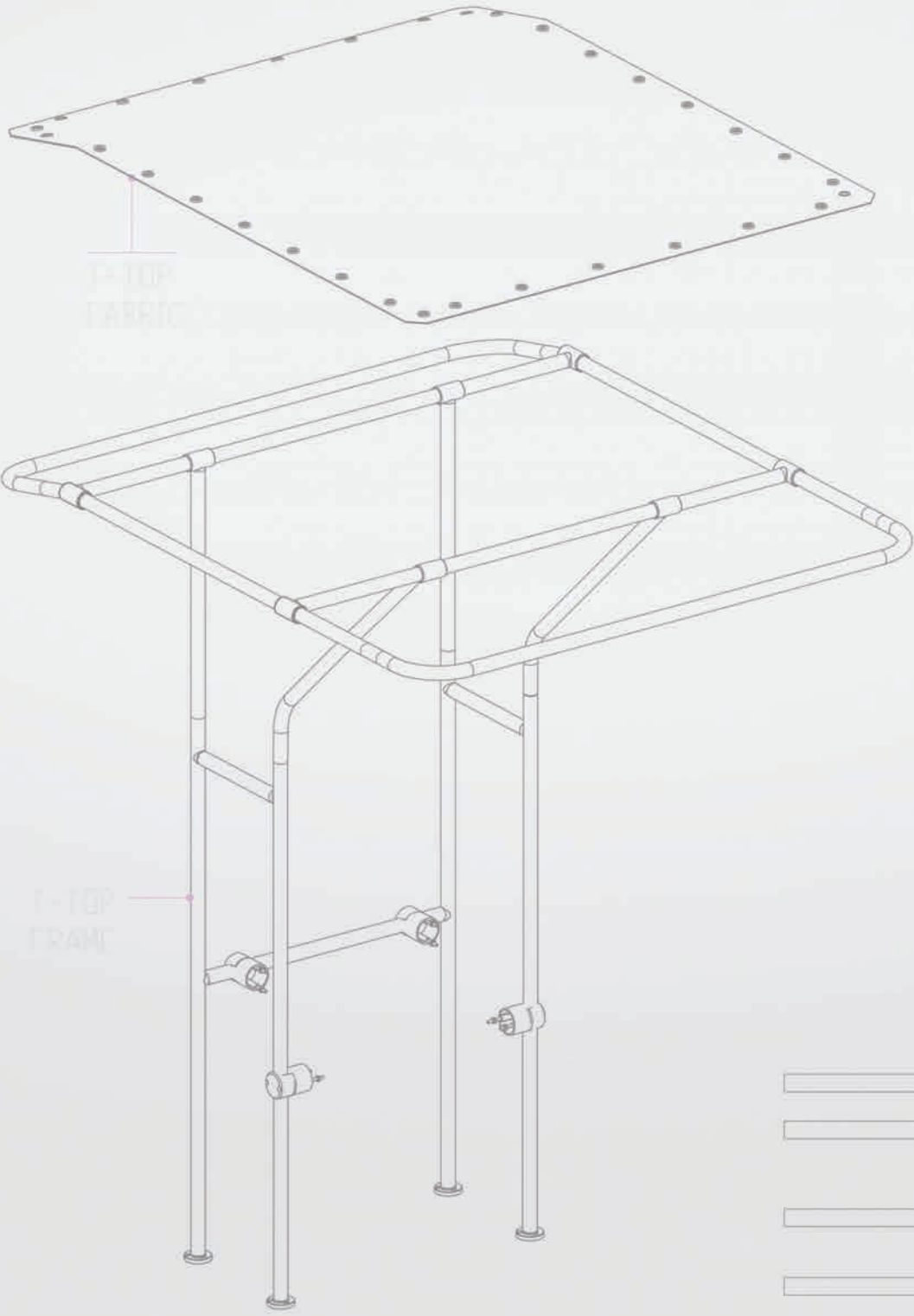
FIXED
 MA 051-4

ANGLED
 MA 051-5

- Supplied as Pairs

| SKU | TYPE | SIZE |
|----------|-------------------|------------|
| MA 051-3 | Ø25 Telescopic AL | 700-1250mm |
| MA 051-4 | Ø25 Fixed AL | 1100mm |
| MA 051-5 | Ø25 Angled AL | 900mm |

* Denotes Product SKU



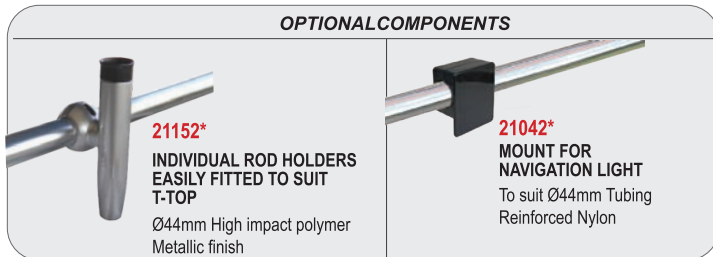
T-TOPS & ROCKET LAUNCHERS



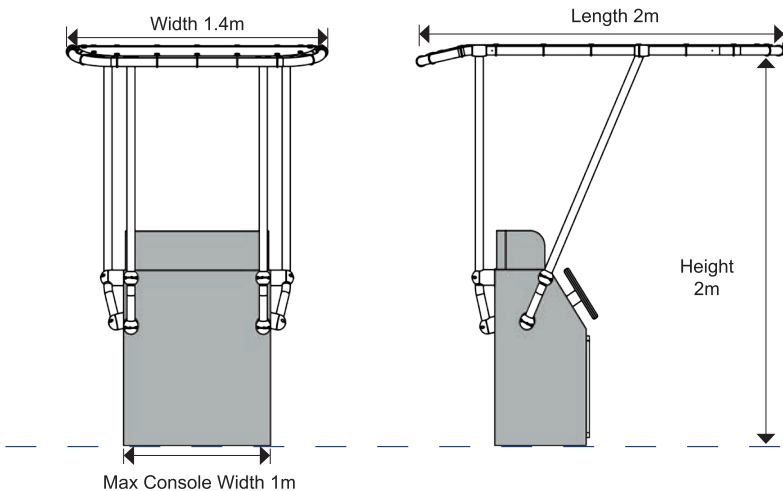
HEAVY DUTY T-TOP - CONSOLE MOUNT

Our New Heavy Duty T-Top Console Mount design clears valuable passage ways Can be fitted to side console or centre console boats. Specially designed side mounts and uprights allow maximum flexibility in mounting positions to suit the majority of console designs.

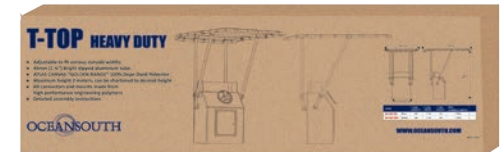
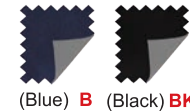
- All components are manufactured with engineering Nylon blend, specifically formulated with superior structural qualities.
- Ø44mm framework Aluminium or Powder Coated tube.
- 316 grade Stainless Steel Fasteners.
- Medium assembling skills required.



* Denotes Product SKU



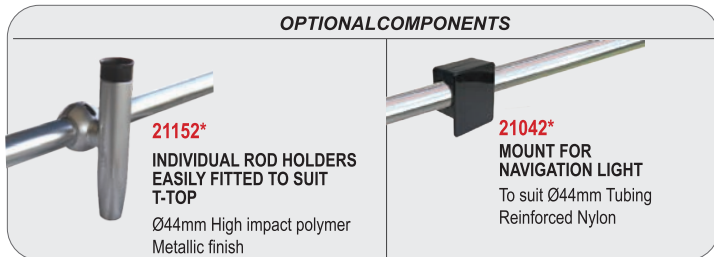
ATLAS GOLDEN RANGE
DOPE DYED
POLYESTER CANVAS
310 g/m² - 9.14 oz/yd²



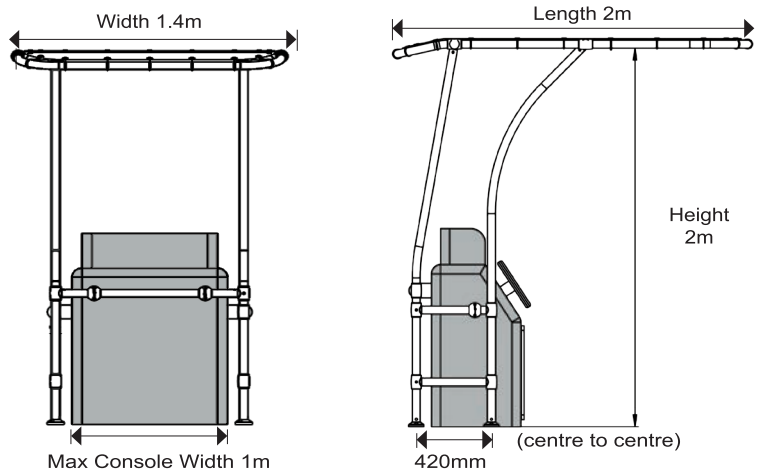
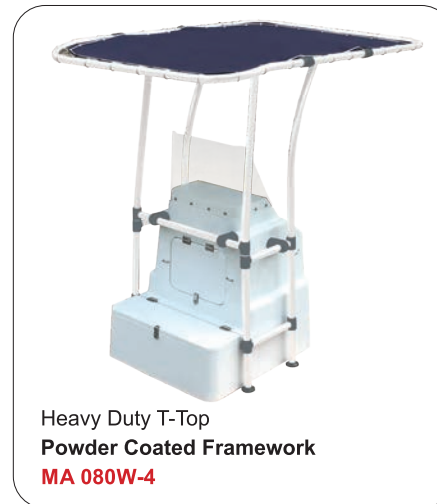
| SKU | DESCRIPTION |
|---|--|
| MA 080- 5 | Heavy Duty T-Top Console Mount - Hard Anodised Aluminium Framework |
| MA 080W- 5 | Heavy Duty T-Top Console Mount - Powder Coated Framework |
| F080-5 Replacement Fabric * COLOUR SKU REQUIRED WHEN ORDERING | |

The Ø44mm aluminium tube uprights feature a large radius which gives greater structural strength throughout the uprights & helps spread 'load' evenly across the frame reducing vibration and structural fatigue, extending the life of the T-Top. Design allows flexibility in mounting positions

- All components are manufactured with engineering Nylon blend, specifically formulated with superior structural qualities.
- Ø44mm framework Aluminium or Powder Coated tube.
- 316 grade Stainless Steel Fasteners.
- Medium assembling skills required.

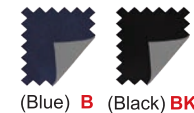


* Denotes Product SKU



ATLAS
MARINE FABRIC

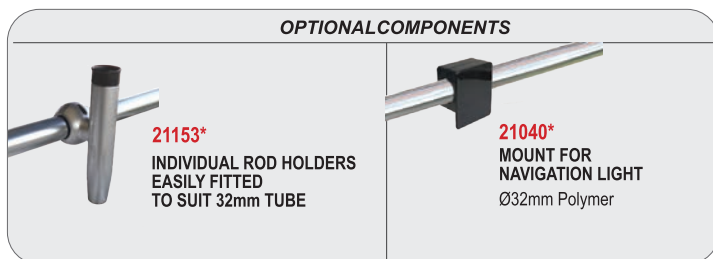
ATLAS GOLDEN RANGE
DOPE DYED
POLYESTER CANVAS
310 g/m² - 9.14 oz/yd²



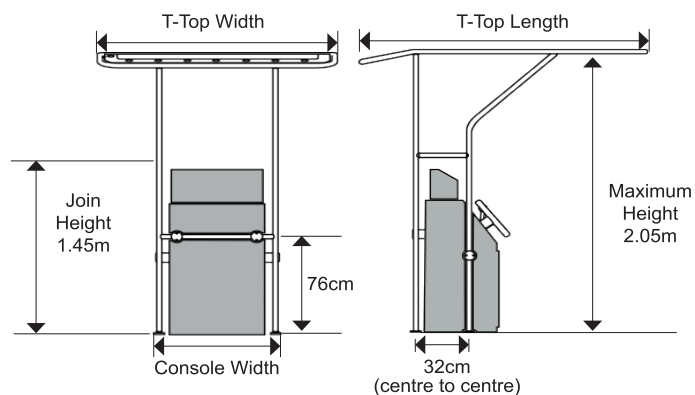
| SKU | DESCRIPTION |
|---|--|
| MA 080- 4 | Heavy Duty T-Top - Hard Anodised Aluminium Framework |
| MA 080W- 4 | Heavy Duty T-Top - Powder Coated Framework |
| F080-4 Replacement Fabric *COLOUR SKU REQUIRED WHEN ORDERING | |

The Classic Oceansouth T-Top, a well-tested favourite over the years. Adjustable uprights and side mount will fit a range of centre console widths.

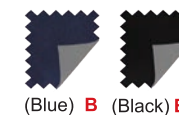
- 2.05m height. Can be shortened to required height.
- Ø32mm Aluminium tube.
- Top can be removed for storage.
- Equipment can be mounted on upright crossbars.
- All connectors and mounts made from marine grade polymers.
- 316 grade stainless steel fasteners.
- Medium assembling skills required.



* Denotes Product SKU



DOPE DYED
POLYESTER CANVAS
310 g/m² - 9.14 oz/yd²



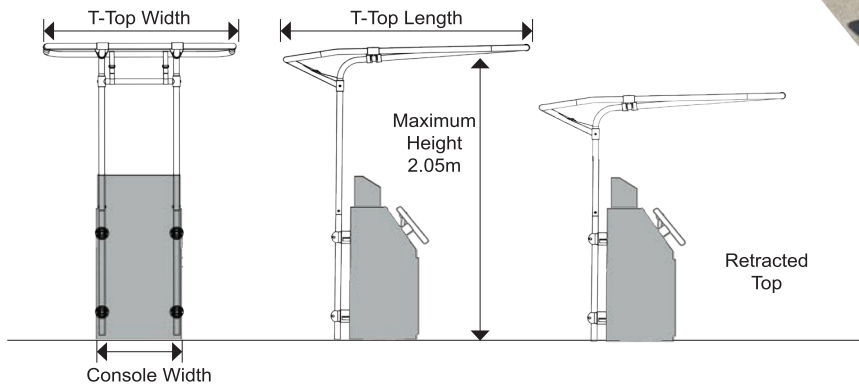
| SKU | T-TOP LENGTH | T-TOP WIDTH | MAX. CON WIDTH |
|----------|--------------|-------------|----------------|
| MA 080-1 | 1.7m | 1.2m | 0.85m |
| MA 080-2 | 1.7m | 1.4m | 1.05m |

F080-1, F080-2 Replacement Fabric | *COLOUR SKU REQUIRED WHEN ORDERING

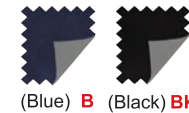
REGISTERED DESIGN



Designed to fit Centre or Side Console Boats



DOPE DYED
POLYESTER CANVAS
310 g/m² - 9.14 oz/yd²



- Versatile mounting options
- Adjustable height and width
- Retractable, removable when not in use
- Ø32mm (Ø1¼") Aluminium tube.
- All connectors and mounts made from marine grade polymer
- 316 grade stainless steel fasteners

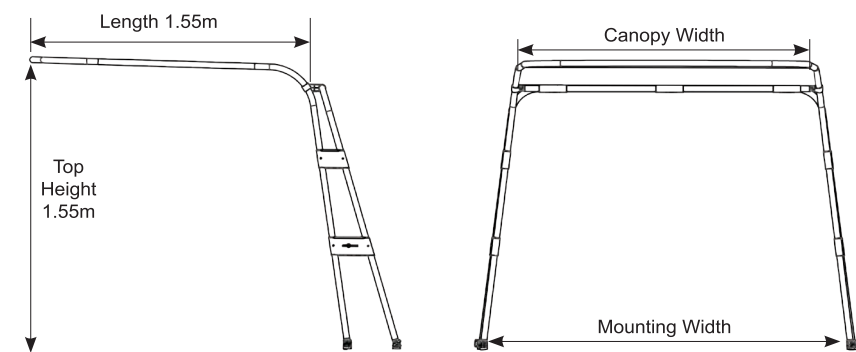
| SKU | T-TOP LENGTH | T-TOP WIDTH | MAX. CON WIDTH |
|----------|--------------|-------------|----------------|
| MA 081-0 | 1.35m | 1.05m | 0.65m |
| MA 081-1 | 1.5m | 1.2m | 0.85m |
| MA 081-2 | 1.5m | 1.4m | 1.05m |

F081-0, F081-1, F081-2 Replacement Fabric | *COLOUR SKU REQUIRED WHEN ORDERING

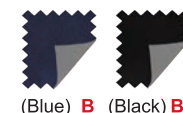


- 32mm Anodised Aluminium tube
- UV resistant Nylon components
- "The Fisherman Top" is designed for small - medium "open style" boats.
- The top offers excellent shelter from the sun and rain as well as safe mounting for equipment on board Navigation lights, Antennas, Deck lights, Rod Holders etc.
- Very sturdy and travels well at speeds up to 50 knots.
- Suitable for road trailering at moderate speeds

THE UNIQUE DESIGN ALSO GIVES YOU FREEDOM OF MOVEMENT WHEN FISHING FROM THE REAR OF THE BOAT .



ATLAS GOLDEN RANGE
DOPE DYED POLYESTER CANVAS
310 g/m² - 9.14 oz/yd²



| SKU | MOUNTING WIDTH | CANOPY WIDTH |
|----------|----------------|--------------|
| MA 050-1 | 1.5m - 1.7m | 1.23m |
| MA 050-2 | 1.7m - 1.9m | 1.43m |
| MA 050-3 | 1.9m - 2.1m | 1.63m |
| MA 050-4 | 2.1m - 2.3m | 1.83m |


***COLOUR SKU REQUIRED WHEN ORDERING**



(Rod Holders not included)

REGISTERED DESIGN

OPTIONAL COMPONENTS



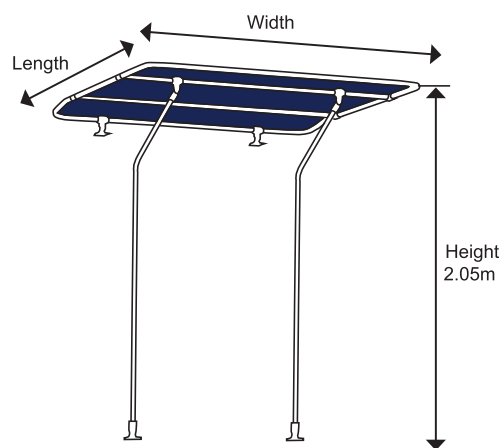
21153*
INDIVIDUAL ROD HOLDERS
EASILY FITTED
TO SUIT 32mm TUBE

* Denotes Product SKU

Oceansouth's new DECK-TOP is the most versatile top in the marine market. Designed to fit a wide range and variety of configurations.

The Oceansouth Deck-Top is supplied as a complete standard unit. Constructed using Ø32mm aluminium tubing and our trade marked ATLAS marine canvas which is secured to the top frame with braided polyester rope.

- Ø32mm Anodised Aluminium tube.
- Marine grade nylon mounts and connectors.
- Stainless Steel fittings.
- Top can be removed for storage.
- Medium assembling skills required.



ATLAS GOLDEN RANGE
DOPE DYED POLYESTER CANVAS
310 g/m² - 9.14 oz/yd²



(Blue) **B**



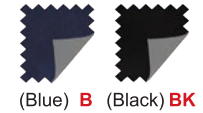
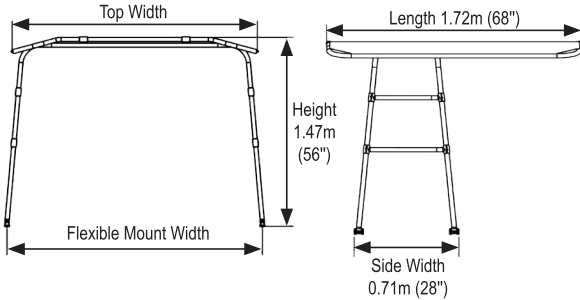
SUPPLIED AS A COMPLETE UNIT,
ASSEMBLY INSTRUCTIONS INCLUDED.

| SKU | CANOPY LENGTH | CANOPY WIDTH |
|----------|---------------|--------------|
| MA 085-1 | 1.6m | 1.8m |
| MA 085-2 | 2.0m | 2.0m |
| MA 085-3 | 2.15m | 2.15m |
| MA 085-4 | 2.15m | 2.5m |

F085-1, F085-2, F085-3, F085-4 Replacement Fabric

NEW TARGA TOP

- Ø32mm Anodised Aluminium tube.
- All connectors and mounts made from marine grade polymers.
- 316 grade Stainless Steel fasteners.
- Medium assembling skills required.



ATLAS GOLDEN RANGE
DOPE DYED POLYESTER CANVAS
310 g/m² - 9.14 oz/yd²

| SKU | TOP WIDTH | FLEXIBLE MOUNT WIDTH |
|----------|-----------|----------------------|
| MA 086-1 | 1.72m | 1.90m - 2.10m |
| MA 086-2 | 1.92m | 2.10m - 2.30m |

***COLOUR SKU REQUIRED WHEN ORDERING**

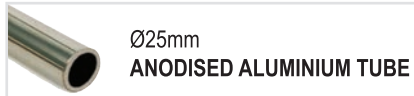
NEW CLEARS / ENCLOSURE – for TARGA TOP

- Secure and easy attachment with Polyester Webbing Straps and Adjustment Buckles.
- Zipper front door opening.
- Unobstructed side and front views.
- Reinforced Top and Base Hem for added strength against the strongest gales.
- Easily removed, roll up and store when not in use



| SKU | DESCRIPTION |
|----------|--|
| MA 087-1 | Size fits Targa Top MA 086-1 (1.9 to 2.1m Width) |
| MA 087-2 | Size fits Targa Top MA 086-2 (2.1 to 2.3m Width) |

FREE STANDING ROCKET LAUNCHER

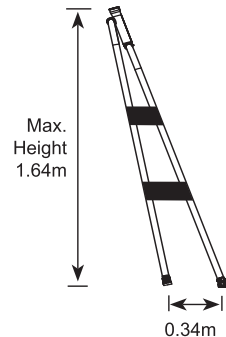
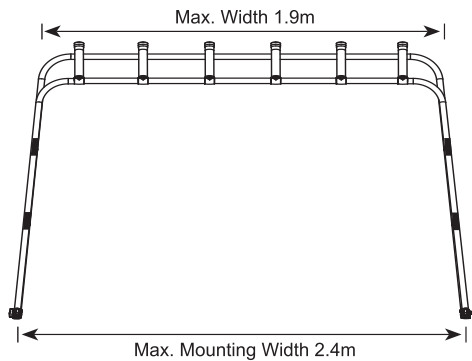
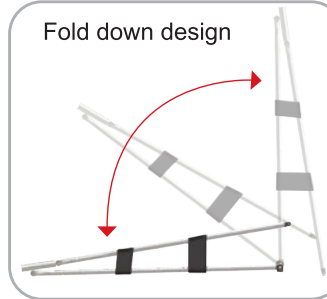
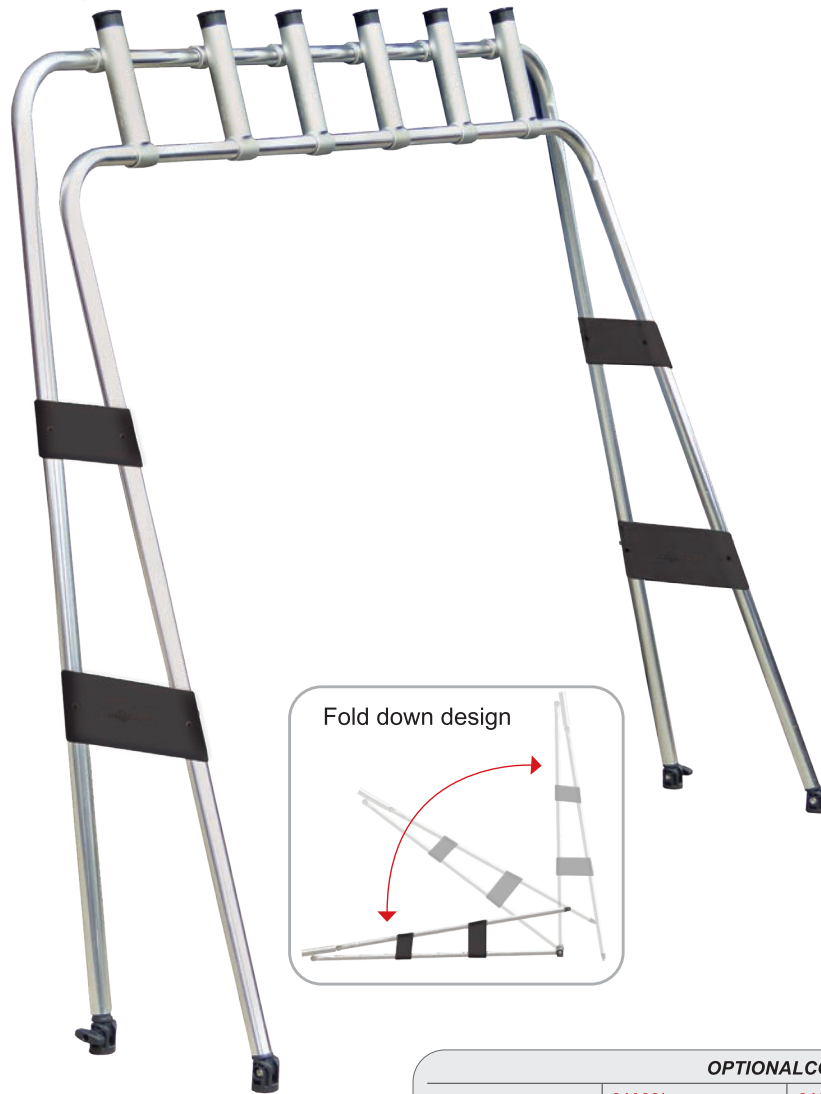


The free standing Oceansouth Rocket Launcher is an excellent addition to your boat so that rods can be safely stowed above deck space.

It is easily assembled and features the unique universal mounts. The universal base mount features a beveled base which enables a variety of possible mounting positions.

NOTE:
Optional Rail Mounts can be used to mount the rocket launcher on rails.

- 6 Hi-Impact non-corrosive polymer rod holder - metallic finish.
- All connectors and mounts made from marine grade nylon.
- Rear Universal Base Mounts are fitted with Thumb Screws that enable the Rocket Launcher to be folded down.
- Crossbars can be used to mount equipment.

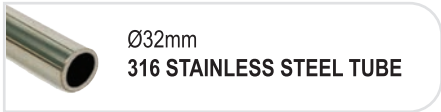


| OPTIONAL COMPONENTS | | | |
|--|---|--|--|
| 21023* RAIL MOUNT Ø32mm Polymer (Ø25mm Rails) | 21028* KNUCKLE W/THUMB SCREW Ø32mm Polymer | 21040* MOUNT FOR NAVIGATION LIGHT Ø32mm Polymer | 21150* ROD HOLDER Ø32mm (1¼") High impact polymer Metallic finish |

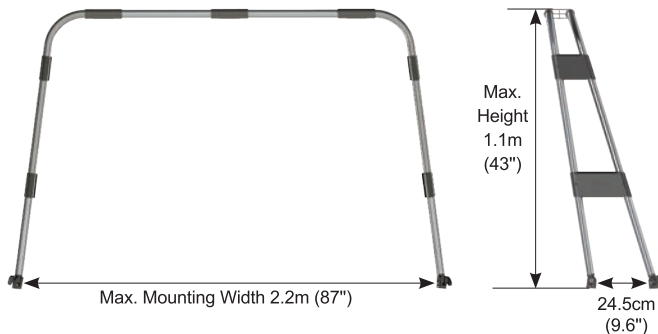
* Denotes Product SKU



| SKU | MAX. WIDTH | MAX. HEIGHT | MAX. MOUNTING WIDTH |
|--------|------------|-------------|---------------------|
| MA 100 | 1.9m | 1.64m | 2.4m |



- Designed to fit any Boat
- Folding for Storage & Trailering
- Supplied with Support Plates to install Lights and Navigation Instruments
- Adjustable Width and Height



| SKU | MAX. HEIGHT | MAX. MOUNTING WIDTH |
|--------|-------------|---------------------|
| MA 009 | 1.1m (43") | 2.2m (87") |

Ø44mm COMPONENTS

| | | | | | |
|--|--|--|---|--|--|
| <p>21042* MOUNT FOR NAVIGATION LIGHT Ø44mm Reinforced Nylon</p> | <p>21082* T JOINER Ø44mm Capron HMGB Reinforced Nylon</p> | <p>21080* SIDE MOUNT Ø44mm Capron HMGB Reinforced Nylon</p> | <p>21084* SIDE MOUNT BOTTOM Ø44mm Capron HMGB Reinforced Nylon</p> | <p>21081* BASE MOUNT Ø44mm Capron HMGB Reinforced Nylon</p> | <p>21152* ROD HOLDER Ø44 mm High impact polymer metallic finish</p> |
|--|--|--|---|--|--|

Ø32mm COMPONENTS

| | | | | | | |
|---|---|--|---|--|---|---|
| <p>21040* MOUNT FOR NAVIGATION LIGHT Ø32mm Polymer</p> | <p>21032* T JOINER Ø32mm Polymer</p> | <p>21020* SIDE MOUNT Ø32mm Polymer S/S Screws</p> | <p>21019* SIDE MOUNT Ø32mm Polymer</p> | <p>21030* JOINER 900 (PAIR) Ø32mm Polymer</p> | <p>21021* BASE MOUNT Ø32mm Polymer</p> | <p>21153* ROD HOLDER Ø32mm High impact polymer Metallic finish</p> |
|---|---|--|---|--|---|---|

ROCKET LAUNCHER/ BOAT ARCH COMPONENTS

| | | | |
|--|---|--|---|
| <p>21022* UNIVERSAL MOUNT W/THUMB SCREW Ø32mm Polymer</p> | <p>21023* RAIL MOUNT Ø32mm Polymer (Ø25mm Rails)</p> | <p>21028* KNUCKLE W/THUMB SCREW Ø32mm Polymer</p> | <p>21040* MOUNT FOR NAVIGATION LIGHT Ø32mm Polymer</p> |
|--|---|--|---|

TARGA TOP COMPONENTS

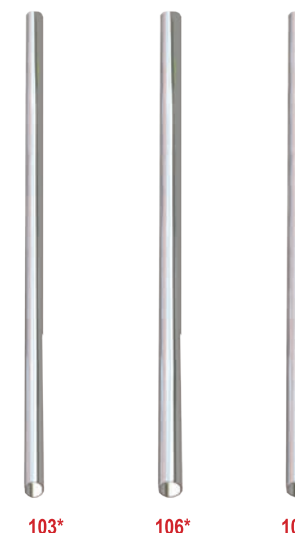
| | | |
|--|---|---|
| <p>21085* PAIR OF 5° T-JOINERS Reinforced Nylon Ø32mm</p> | <p>21087* ADJUSTABLE CROSS JOINER Reinforced Nylon Ø32mm</p> | <p>21086* PAIR OF 5° UNIVERSAL MOUNTS Reinforced Nylon Ø32mm</p> |
|--|---|---|

DECK TOP COMPONENTS

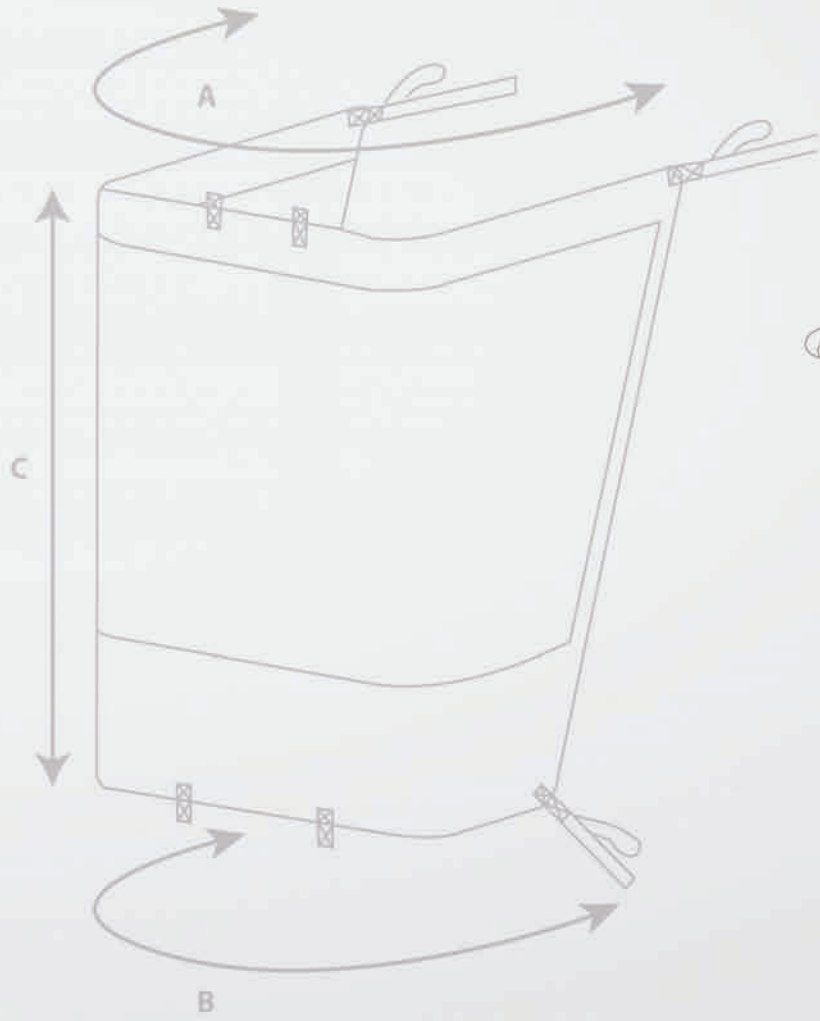
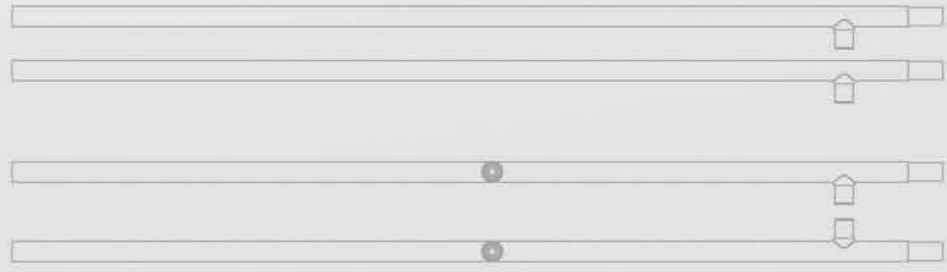
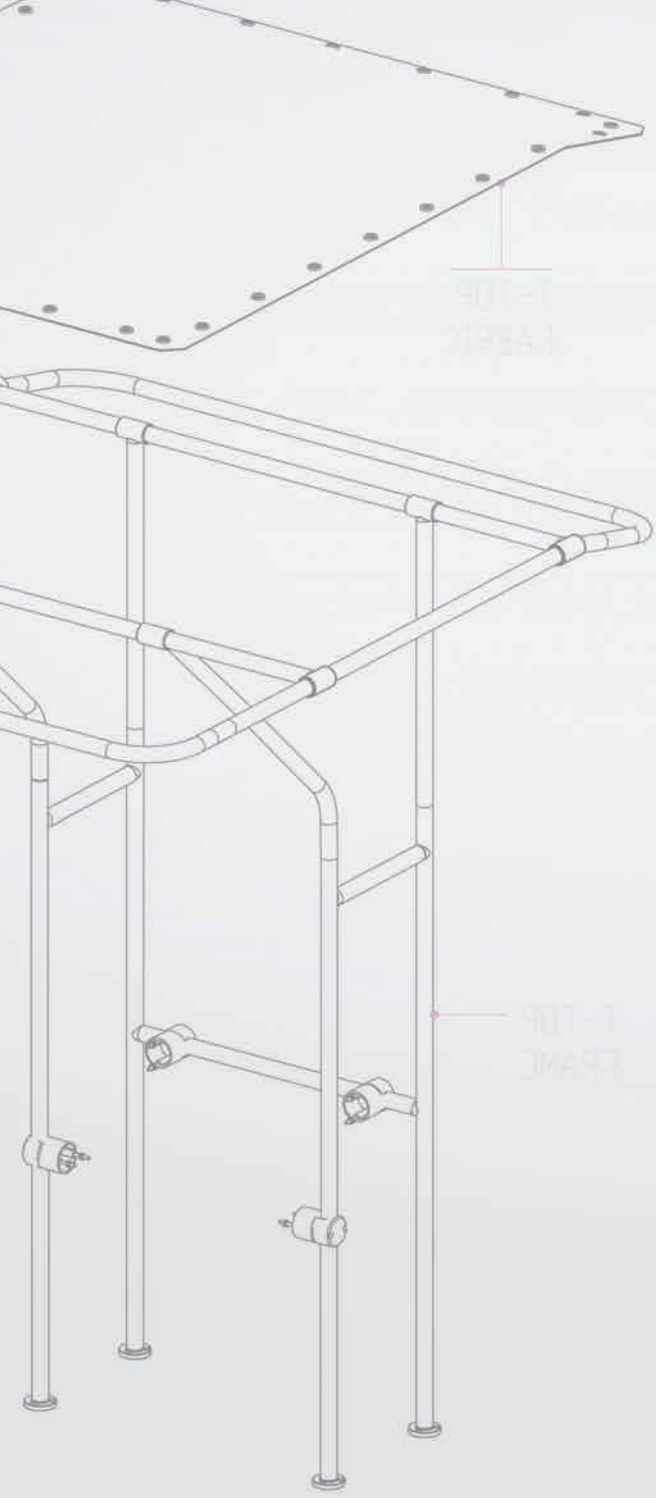
| | | | | |
|--|---|---|---|--|
| <p>21024* TUBE END DECK MOUNT Ø32mm Polymer</p> | <p>21032* T JOINER Ø32mm Polymer</p> | <p>21040* MOUNT FOR NAVIGATION LIGHT Ø32mm Polymer</p> | <p>21025* UNIVERSAL CROSSBAR TOP MOUNT Ø32mm Polymer</p> | <p>21026* UNIVERSAL CROSSBAR T JOINER Ø32mm Polymer</p> |
|--|---|---|---|--|

* Denotes Product SKU

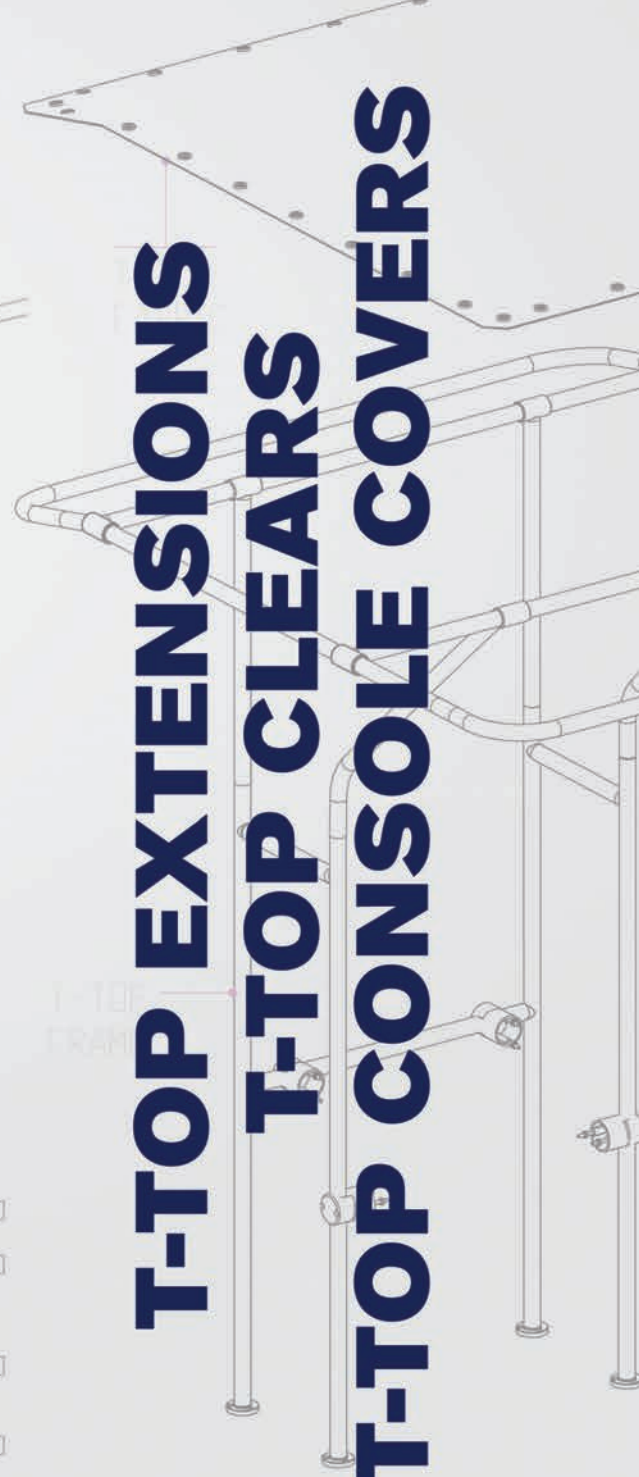
ANODISED ALUMINIUM TUBES



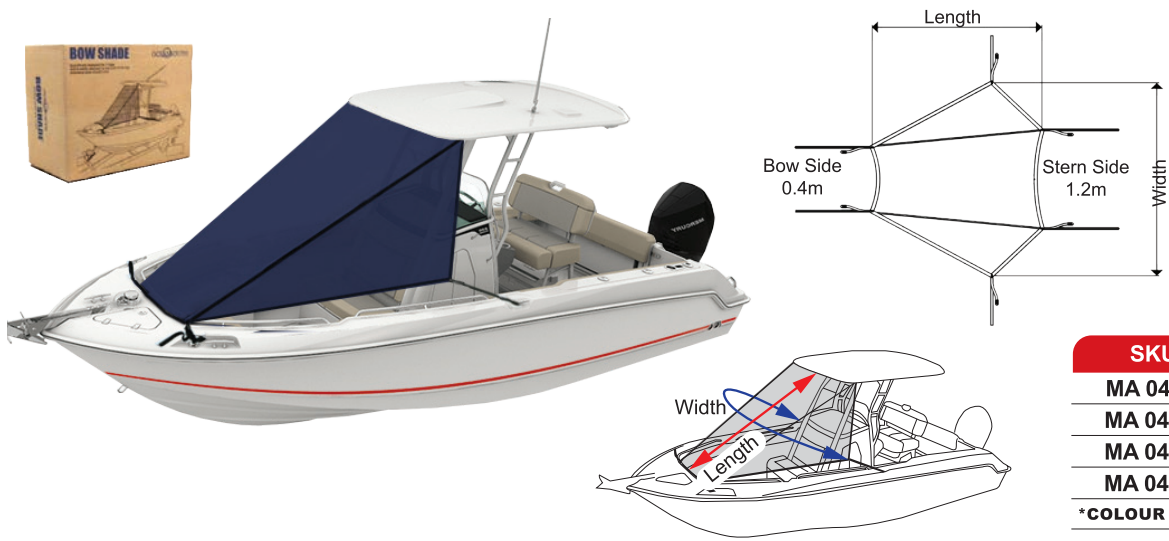
| SKU | DESCRIPTION |
|-----|-------------------------------|
| 103 | O.D - Ø25mm (1") W.T - 1.6mm |
| 106 | O.D - Ø32mm (1¼") W.T - 1.6mm |
| 109 | O.D - Ø44mm (1¾") W.T - 2mm |



T-TOP EXTENSIONS T-TOP CLEARS T-TOP CONSOLE COVERS



BOW SHADE EXTENSIONS



- The Bow Shade is specifically designed for T-Tops, easily attached to provide a wide shaded area..
- Folds neatly away for compact storage.
- Can also be installed for extended periods to protect bow cushions from damaging UV rays.

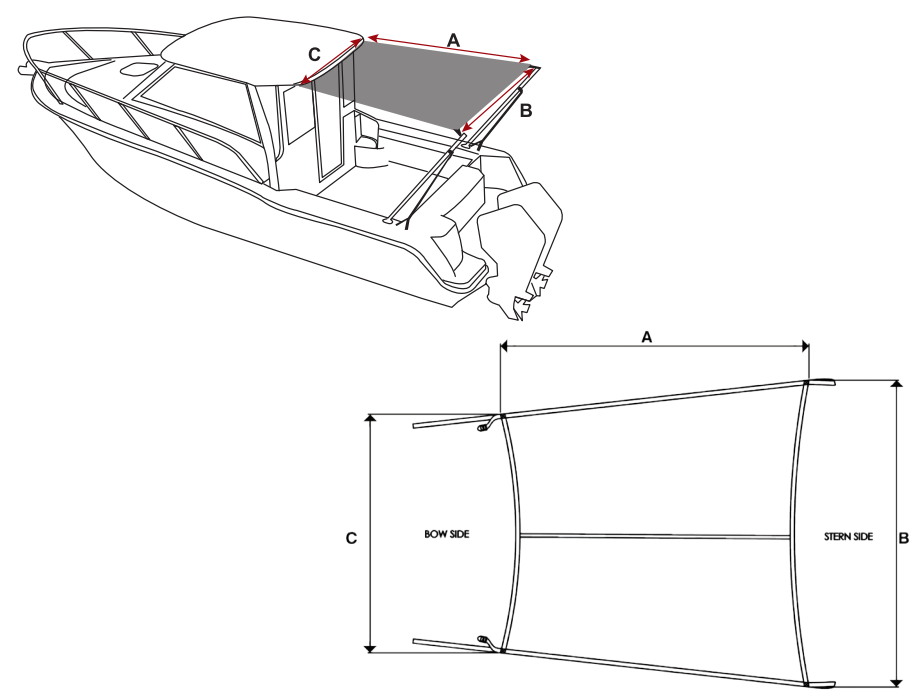
DOPE DYED POLYESTER CANVAS
220 g/m² - 6.5oz/yd²

(Blue) **B** (Black) **BK** (Grey) **G**

| SKU | LENGTH | WIDTH |
|----------|------------|-------------|
| MA 047-1 | 2.00m (6') | 2.75m (9') |
| MA 047-2 | 2.13m (7') | 2.75m (9') |
| MA 047-3 | 2.45m (8') | 2.9m (9.5') |
| MA 047-4 | 2.75m (9') | 3.05m (10') |

***COLOUR SKU REQUIRED WHEN ORDERING**

STERN SHADE EXTENSIONS



DOPE DYED POLYESTER CANVAS
310 g/m² - 9.14 oz/yd²

(Blue) **B** (Black) **BK** (Grey) **G**

| SKU | A - LENGTH | B - REAR WIDTH | C - FRONT WIDTH |
|-----------|--------------|----------------|-----------------|
| MA 045-1 | 1.2m (4') | 1.5m (5') | 1.2m (4') |
| MA 045-2 | 1.5m (5') | 1.5m (5') | 1.2m (4') |
| MA 045-3 | 1.8m (6') | 1.5m (5') | 1.2m (4') |
| MA 045-4 | 1.8m (6') | 2.1m (7') | 1.5m (5') |
| MA 045-5 | 2.1m (7') | 2.1m (7') | 1.5m (5') |
| MA 045-6 | 2.4m (8') | 2.1m (7') | 1.5m (5') |
| MA 045-7 | 2.6m (8.5') | 2.0m (6.5') | 1.7m (5.5') |
| MA 045-8 | 2.9m (9.5') | 2.0m (6.5') | 1.7m (5.5') |
| MA 045-9 | 2.6m (8.5') | 2.3m (7.5') | 2.0m (6.5') |
| MA 045-10 | 2.9m (9.5') | 2.3m (7.5') | 2.0m (6.5') |
| MA 045-11 | 2.9m (9.5') | 2.6m (8.5') | 2.3m (7.5') |
| MA 045-12 | 3.2m (10.5') | 2.6m (8.5') | 2.3m (7.5') |
| MA 045-13 | 2.9m (9.5') | 2.9m (9.5') | 2.6m (8.5') |
| MA 045-14 | 3.2m (10.5') | 2.9m (9.5') | 2.6m (8.5') |

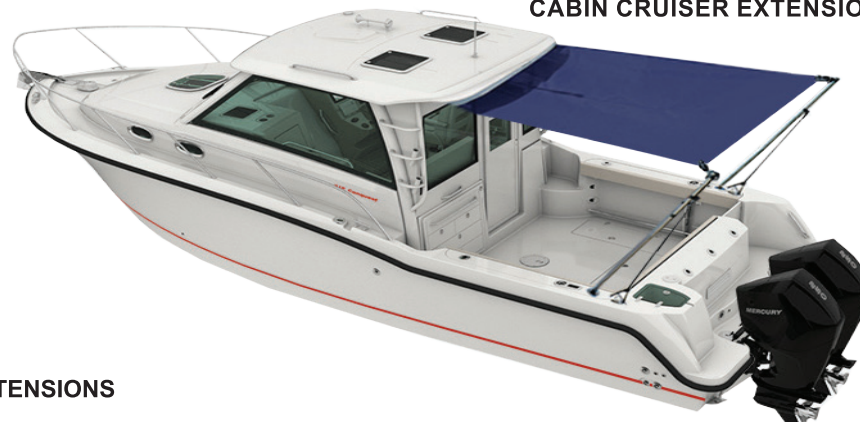
***COLOUR SKU REQUIRED WHEN ORDERING**

STERN SHADE EXTENSIONS

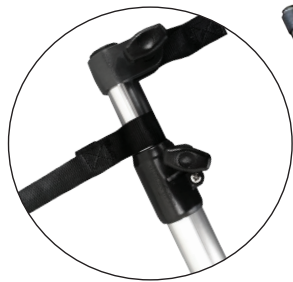
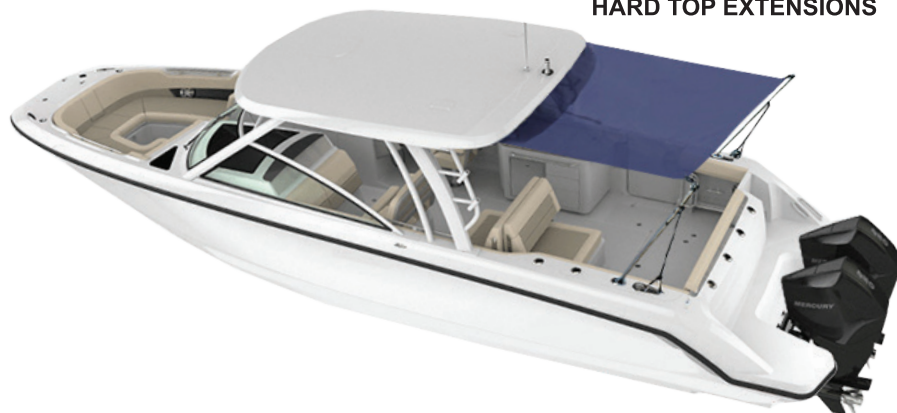
T-TOP EXTENSIONS



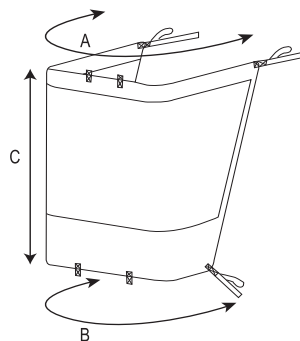
CABIN CRUISER EXTENSIONS



HARD TOP EXTENSIONS



- The Stern Shade Kit is simple to install to extend the shade area up to 2.3m.
- Supplied with stainless steel telescopic poles (1.3m - 2m) that fit securely into rod holder mounts.
- Shade's height can be adjusted for comfortable seating or standing.
- Folds neatly away when not in use.
- Use at anchor or motoring up to 20 knots.

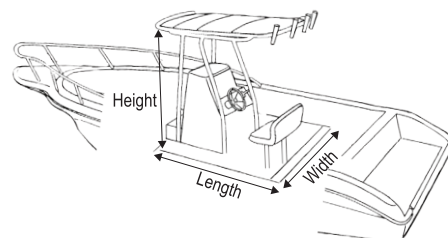


Wrap around spray shield provides excellent protection against the rain and wind, quick and easy to fit even out at sea.

- Secure and easy attachment with Polyester webbing straps and adjustment buckles.
- Unobstructed side and front views.
- Reinforced Top and Base Hem for added strength against the strongest gales.
- Easily removed, roll up and stored when not in use.

| SKU | SIZE | A | B | C |
|----------|----------------------|-------|-------|-------|
| MA 089-2 | Consoles up to 700mm | 2.63m | 1.70m | 1.05m |
| MA 089-3 | Consoles over 700mm | 3.03m | 2.10m | 1.05m |

CONSOLE COVER FOR T-TOP



Center Console T-Top Cover is easily attached to the underside of T-Top. Designed to cover the console and helm seat.



Full length size #8 Derlin Zipper



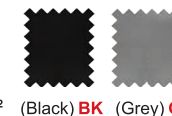
25mm Webbing & Nylon adjustment buckles



Elasticized band across helm seat.



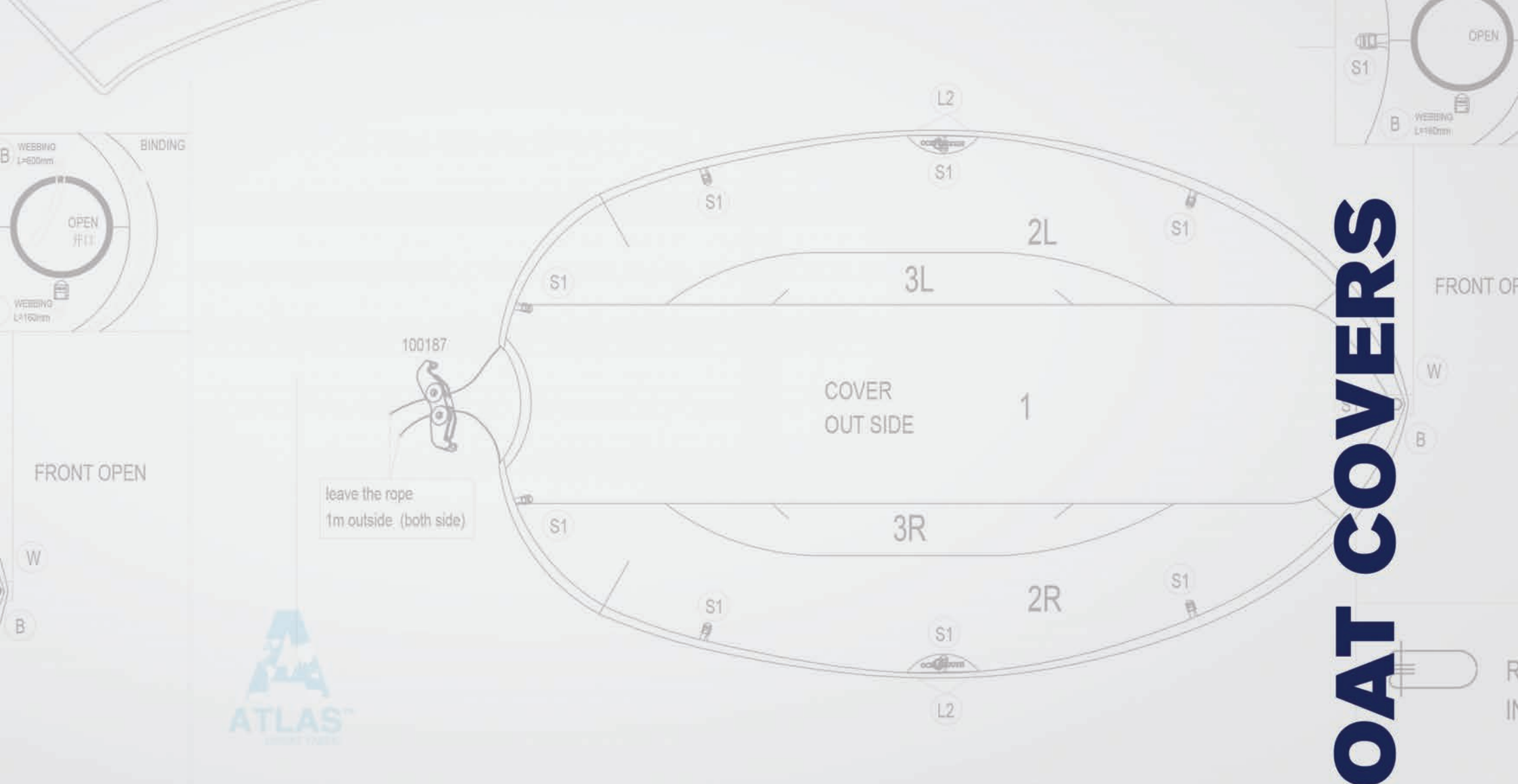
DOPE DYED
POLYESTER CANVAS
240 g/m² - 7.1 oz/yd²



| SKU | WIDTH | LENGTH | HEIGHT |
|----------|-------|--------|--------|
| MA 083-2 | 1.2m | 1.5m | 1.8m |
| MA 083-3 | 1.2m | 1.83m | 1.8m |
| MA 083-4 | 1.3m | 2.15m | 1.8m |

*COLOUR SKU REQUIRED WHEN ORDERING

BOAT COVERS



100% High tech Polyester



Breathable



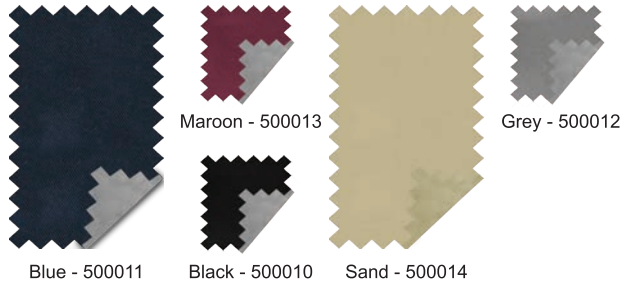
UV Rated



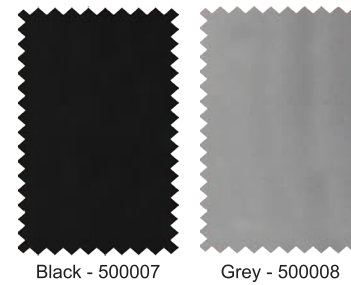
Water Repellent



All Weather Conditions



DOPE DYED
PREMIUM POLYESTER
MARINE FABRIC
JACQUARD WEAVE
310 g/m² - 9.14 oz/yd²



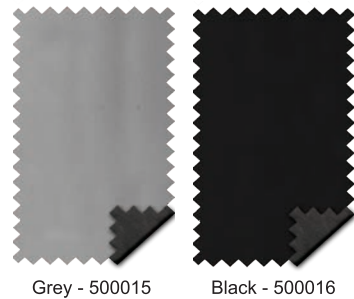
DOPE DYED
POLYESTER MARINE FABRIC
OXFORD WEAVE
280 g/m² - 8.2 oz/yd²

FABRIC FEATURES

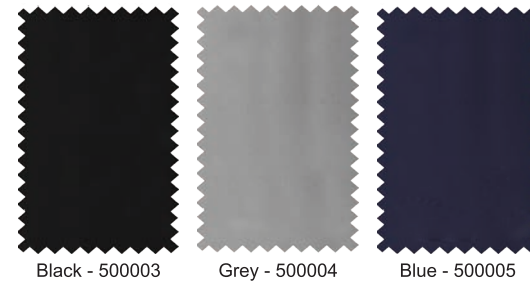
| | | | | | |
|---|---|--|-----------------------------------|-----------------------------|------------------------------|
| | | | | | |
| 100% HIGH TECH POLYESTER | FABRIC WIDTH ≈ 1.83 cm | ≈ 310 g/m ² (9.14 oz/yd ²) | WATER COLUMN ≥ 150 mbar | LIGHT FASTNESS Note 6-7 | WEATHER FASTNESS Note 6-7 |
| | | | | | |
| TENSILE STRENGTH ≈ 2200 N ¹ 1300 N ² | ELONGATION ≈ 40 % ¹ 30 % ² | WATER REPELLENCY Note 100 | OIL/CHLORINE REPELLENCY Note 4 | COATING Polyurethan [PU] | UV INDEX UPF 50+ |

FABRIC FEATURES

| | | | | | |
|---|---|---|-----------------------------------|-----------------------------|------------------------------|
| | | | | | |
| 100% HIGH TECH POLYESTER | FABRIC WIDTH ≈ 170 cm | ≈ 280 g/m ² (8.2 oz/yd ²) | WATER COLUMN ≥ 150 mbar | LIGHT FASTNESS Note 6-7 | WEATHER FASTNESS Note 6-7 |
| | | | | | |
| TENSILE STRENGTH ≈ 2000 N ¹ 1150 N ² | ELONGATION ≈ 40 % ¹ 30 % ² | WATER REPELLENCY Note 100 | OIL/CHLORINE REPELLENCY Note 4 | COATING Polyurethan [PU] | UV INDEX UPF 50+ |



DOPE DYED POLYESTER
MARINE FABRIC
WITH SOFT NON-WOVEN
POLYESTER BACKING
OXFORD WEAVE
340 g/m² - 10.3 oz/yd²



DOPE DYED
POLYESTER MARINE FABRIC
OXFORD WEAVE
220 g/m² - 6.5 oz/yd²

FABRIC FEATURES

| | | | | | |
|---|---|--|-----------------------------------|-----------------------------|------------------------------|
| | | | | | |
| 100% HIGH TECH POLYESTER | FABRIC WIDTH ≈ 1.60 cm | ≈ 340 g/m ² (10.3 oz/yd ²) | WATER COLUMN ≥ 150 mbar | LIGHT FASTNESS Note 6-7 | WEATHER FASTNESS Note 6-7 |
| | | | | | |
| TENSILE STRENGTH ≈ 2000 N ¹ 1150 N ² | ELONGATION ≈ 40 % ¹ 30 % ² | WATER REPELLENCY Note 100 | OIL/CHLORINE REPELLENCY Note 4 | COATING Polyurethan [PU] | UV INDEX UPF 50+ |

FABRIC FEATURES

| | | | | | |
|---|---|---|-----------------------------------|------------------------------|------------------------------|
| | | | | | |
| 100% HIGH TECH POLYESTER | FABRIC WIDTH ≈ 170 cm | ≈ 220 g/m ² (6.5 oz/yd ²) | WATER COLUMN ≥ 150 mbar | LIGHT FASTNESS Note 6-7 | WEATHER FASTNESS Note 6-7 |
| | | | | | |
| TENSILE STRENGTH ≈ 2000 N ¹ 1150 N ² | ELONGATION ≈ 40 % ¹ 30 % ² | WATER REPELLENCY Note 100 | OIL/CHLORINE REPELLENCY Note 4 | COATING Polyurethane [PU] | UV INDEX UPF 50+ |



Cuddy Cabin Boats with Canopies



DOPE DYED
POLYESTER CANVAS
280 g/m² - 8.2oz/yd²

- Specifically designed to fit centre cabin style (with Bimini) boats.
- High cut pattern will comfortably fit over high rails and Rocket Launchers.
- Heavy duty cover, ideal for short or long term storage.
- Available in Black and Grey
- Recommended for light trailering use, 60km/h maximum.

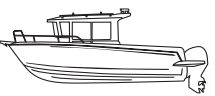
| SKU | BOAT LENGTH | MAX. BEAM WIDTH | MAX. HEIGHT | FABRIC WIDTH | FABRIC LENGTH |
|----------|-------------|-----------------|-------------|--------------|---------------|
| MA 501-0 | 5.2 - 5.8m | 2.40m | 1.35m | 5250mm | 7680mm |
| MA 501-1 | 5.8 - 6.4m | 2.40m | 1.35m | 5300mm | 8180mm |
| MA 501-2 | 6.4 - 7.0m | 2.50m | 1.35m | 5500mm | 8830mm |
| MA 501-3 | 7.0 - 7.6m | 2.70m | 1.50m | 5700mm | 9480mm |
| MA 501-4 | 7.6 - 8.2m | 2.90m | 1.50m | 5900mm | 10080mm |

Use BK with the product SKU when ordering Black Cover e.g. **MA 501-0BK**

NEW PILOT/CRUISER BOAT COVER



Pilot Boat



Cruiser Boat



NEW SIZES 5.5m to 11.0m



DOPE DYED
POLYESTER CANVAS
280 g/m² - 8.2oz/yd²

- Specifically designed to fit Pilot/Cruiser boats.
- Air Vents on each side of the cover
- Twin Rope Cleat for easy tightening
- Heavy duty cover, ideal for short or long term storage
- Supplied with Large Storage Bag & High Quality Webbing Straps
- Recommended for light trailering use

| SKU | BOAT LENGTH | MAX. BEAM WIDTH |
|----------|--------------|-----------------|
| MA 503-1 | 5.5 - 6.0m | 2.5m |
| MA 503-2 | 6.0 - 6.5m | 2.7m |
| MA 503-3 | 6.5 - 7.0m | 2.7m |
| MA 503-4 | 7.0 - 7.5m | 2.9m |
| MA 503-5 | 7.5 - 8.0m | 2.9m |
| MA 503-6 | 8.0 - 8.5m | 3.1m |
| MA 503-7 | 8.5 - 9.0m | 3.1m |
| MA 503-8 | 9.0 - 10.0m | 3.5m |
| MA 503-9 | 10.0 - 11.0m | 3.5m |

Use BK with the product SKU when ordering Black Cover e.g. MA 503-1BK



T-Top Boat



NEW SIZES 5.3m to 10.5m

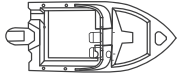
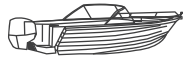


DOPE DYED
POLYESTER CANVAS
240 g/m² - 7.1oz/yd²

| SKU | BOAT LENGTH | MAX. BEAM WIDTH |
|-----------|--------------|-----------------|
| MA 505-1 | 5.3 - 5.6m | 2.6m |
| MA 505-2 | 5.6 - 5.9m | 2.6m |
| MA 505-3 | 5.9 - 6.2m | 2.6m |
| MA 505-4 | 6.2 - 6.5m | 2.6m |
| MA 505-5 | 6.5 - 6.8m | 2.6m |
| MA 505-6 | 6.8 - 7.2m | 2.6m |
| MA 505-7 | 7.2 - 7.5m | 2.6m |
| MA 505-8 | 7.5 - 7.8m | 2.6m |
| MA 505-9 | 7.8 - 8.1m | 3m |
| MA 505-10 | 8.1 - 8.4m | 3m |
| MA 505-11 | 8.4 - 8.7m | 3m |
| MA 505-12 | 8.7 - 9.0m | 3m |
| MA 505-13 | 9.0 - 9.3m | 3m |
| MA 505-14 | 9.3 - 9.6m | 3m |
| MA 505-15 | 9.6 - 9.9m | 3m |
| MA 505-16 | 9.9 - 10.2m | 3m |
| MA 505-17 | 10.2 - 10.5m | 3m |

- Specifically designed to fit T-Top boats.
- Heavy duty cover, ideal for short or long term storage.
- Recommended for light trailering use, 60km/h maximum.

BOWRIDER BOAT COVER



Bowrider Boat



DOPE DYED
POLYESTER CANVAS
280 g/m² - 8.2oz/yd²

- Designed with a wide cut and tailored to fit across windscreen.
- Fits boats with bow rails up to 150mm height, and windscreens up to 600mm height.
- Available in Black and Grey
- Trailerable and suitable for highway towing.

| SKU | BOAT LENGTH | MAX. BEAM WIDTH | FABRIC WIDTH | FABRIC LENGTH |
|-------------|-------------|-----------------|--------------|---------------|
| MA 200 - 9 | 4.7 - 5.0m | 2.25m | 3190mm | 5660mm |
| MA 200 - 10 | 5.0 - 5.3m | 2.40m | 3360mm | 5960mm |
| MA 200 - 11 | 5.3 - 5.6m | 2.40m | 3360mm | 6300mm |
| MA 200 - 12 | 5.6 - 5.9m | 2.45m | 3400mm | 6600mm |
| MA 200 - 13 | 5.9 - 6.3m | 2.50m | 3440mm | 7040mm |
| MA 200 - 14 | 6.3 - 6.7m | 2.50m | 3440mm | 7440mm |

Use BK with the product SKU when ordering Black Cover e.g. **MA 200-9BK**



XL Bowrider Boat



NEW SIZES 6.7m to 10.2m



**DOPE DYED
POLYESTER CANVAS**
280 g/m² - 8.2oz/yd²

- Premium quality covers suitable for Large Bowriders or Runabouts without Bowrails
- Available in two styles - for Inboard Motors or for Outboard Motors

| SKU | BOAT LENGTH | WIDTH |
|-----------------------------------|--------------------------------|---------------|
| BOATS WITH OUTBOARD MOTORS | | |
| MA 200A-15 | 6.7m - 7.2m (21' 9" - 22' 6") | 2.7m (8' 8") |
| MA 200A-16 | 7.2m - 7.8m (22' 7" - 25' 6") | 2.7m (8' 8") |
| MA 200A-17 | 7.8m - 8.4m (25' 7" - 27' 6") | 2.9m (9' 6") |
| MA 200A-18 | 8.4m - 9.0m (27' 7" - 29' 6") | 3.1m (10' 2") |
| MA 200A-19 | 9.0m - 9.6m (29' 7" - 31' 6") | 3.1m (10' 2") |
| MA 200A-20 | 9.6m - 10.2m (31' 7" - 33' 6") | 3.1m (10' 2") |
| BOATS WITH INBOARD MOTORS | | |
| MA 200B-15 | 6.7m - 7.2m (21' 9" - 22' 6") | 2.7m (8' 8") |
| MA 200B-16 | 7.2m - 7.8m (22' 7" - 25' 6") | 2.7m (8' 8") |
| MA 200B-17 | 7.8m - 8.4m (25' 7" - 27' 6") | 2.9m (9' 6") |
| MA 200B-18 | 8.4m - 9.0m (27' 7" - 29' 6") | 3.1m (10' 2") |
| MA 200B-19 | 9.0m - 9.6m (29' 7" - 31' 6") | 3.1m (10' 2") |
| MA 200B-20 | 9.6m - 10.2m (31' 7" - 33' 6") | 3.1m (10' 2") |



Runabout Boat



DOPE DYED
POLYESTER CANVAS
280 g/m² - 8.2oz/yd²

- Tailored fit across windscreen & smooth fit to stern.
- Fits boats with bow rails up to 250mm height, and windscreen up to 600mm height.
- Trailerable and suitable for highway towing.

| SKU | BOAT LENGTH | MAX. BEAM WIDTH | FABRIC WIDTH | FABRIC LENGTH |
|-------------|-------------|-----------------|--------------|---------------|
| MA 203 - 6 | 4.1 - 4.3m | 1.95m | 2990mm | 5020mm |
| MA 203 - 7 | 4.3 - 4.5m | 2.05m | 2990mm | 5220mm |
| MA 203 - 8 | 4.5 - 4.7m | 2.05m | 2990mm | 5420mm |
| MA 203 - 9 | 4.7 - 5.0m | 2.25m | 3190mm | 5720mm |
| MA 203 - 10 | 5.0 - 5.3m | 2.40m | 3360mm | 6020mm |
| MA 203 - 11 | 5.3 - 5.6m | 2.40m | 3360mm | 6320mm |
| MA 203 - 12 | 5.6 - 5.9m | 2.45m | 3410mm | 6620mm |
| MA 203 - 13 | 5.9 - 6.3m | 2.50m | 3460mm | 7020mm |
| MA 203 - 14 | 6.3 - 6.7m | 2.50m | 3460mm | 7420mm |



XL Runabout Boat



NEW SIZES 6.7m to 10.2m



DOPE DYED
POLYESTER CANVAS
280 g/m² - 8.2oz/yd²

- Premium quality covers for Large Runabouts and Cuddy Cabin Boats with Bowrails
- Available in two styles - for Inboard Motors or for Outboard Motors

| SKU | BOAT LENGTH | WIDTH |
|-----------------------------------|--------------------------------|---------------|
| BOATS WITH OUTBOARD MOTORS | | |
| MA 203A-15 | 6.7m - 7.2m (21' 9" - 22' 6") | 2.7m (8' 8") |
| MA 203A-16 | 7.2m - 7.8m (22' 7" - 25' 6") | 2.7m (8' 8") |
| MA 203A-17 | 7.8m - 8.4m (25' 7" - 27' 6") | 2.9m (9' 6") |
| MA 203A-18 | 8.4m - 9.0m (27' 7" - 29' 6") | 3.1m (10' 2") |
| MA 203A-19 | 9.0m - 9.6m (29' 7" - 31' 6") | 3.1m (10' 2") |
| MA 203A-20 | 9.6m - 10.2m (31' 7" - 33' 6") | 3.1m (10' 2") |
| BOATS WITH INBOARD MOTORS | | |
| MA 203B-15 | 6.7m - 7.2m (21' 9" - 22' 6") | 2.7m (8' 8") |
| MA 203B-16 | 7.2m - 7.8m (22' 7" - 25' 6") | 2.7m (8' 8") |
| MA 203B-17 | 7.8m - 8.4m (25' 7" - 27' 6") | 2.9m (9' 6") |
| MA 203B-18 | 8.4m - 9.0m (27' 7" - 29' 6") | 3.1m (10' 2") |
| MA 203B-19 | 9.0m - 9.6m (29' 7" - 31' 6") | 3.1m (10' 2") |
| MA 203B-20 | 9.6m - 10.2m (31' 7" - 33' 6") | 3.1m (10' 2") |

CENTRE CONSOLE BOAT COVER



Centre Console Boat



DOPE DYED
POLYESTER CANVAS
280 g/m² - 8.2oz/yd²

- Wider cut across beam accommodates centre console.
- Fits boats with bow rails up to 350mm height and console (measured from Gunwale) up to 800mm height.
- Trailerable and suitable for highway towing.

| SKU | BOAT LENGTH | MAX. BEAM WIDTH | FABRIC WIDTH | FABRIC LENGTH |
|-------------|-------------|-----------------|--------------|---------------|
| MA 204 - 9 | 4.7 - 5.0m | 2.25m | 3270mm | 5816mm |
| MA 204 - 10 | 5.0 - 5.3m | 2.40m | 3420mm | 6115mm |
| MA 204 - 11 | 5.3 - 5.6m | 2.40m | 3420mm | 6415mm |
| MA 204 - 12 | 5.6 - 5.9m | 2.45m | 3470mm | 6715mm |
| MA 204 - 13 | 5.9 - 6.3m | 2.50m | 3520mm | 7115mm |
| MA 204 - 14 | 6.3 - 6.7m | 2.50m | 3520mm | 7515mm |



Open Boat



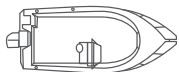
DOPE DYED
POLYESTER CANVAS
280 g/m² - 8.2oz/yd²

- Smooth fit across boat and around hull.
- Fits boats with bow rails up to 150mm height.
- Available in Black and Grey
- Trailerable and suitable for highway towing.

| SKU | BOAT LENGTH | MAX. BEAM WIDTH | FABRIC WIDTH | FABRIC LENGTH |
|-------------|-------------|-----------------|--------------|---------------|
| MA 202 - 3 | 3.5 - 3.7m | 1.60m | 2050mm | 4300mm |
| MA 202 - 4 | 3.7 - 3.9m | 1.70m | 2150mm | 4500mm |
| MA 202 - 5 | 3.9 - 4.1m | 1.80m | 2250mm | 4700mm |
| MA 202 - 6 | 4.1 - 4.3m | 1.95m | 2400mm | 4900mm |
| MA 202 - 7 | 4.3 - 4.5m | 2.05m | 2500mm | 5100mm |
| MA 202 - 8 | 4.5 - 4.7m | 2.05m | 2500mm | 5300mm |
| MA 202 - 9 | 4.7 - 5.0m | 2.25m | 2700mm | 5600mm |
| MA 202 - 10 | 5.0 - 5.3m | 2.4m | 2700mm | 5900mm |
| MA 202 - 11 | 5.3 - 5.6m | 2.4m | 2700mm | 6200mm |

Use BK with the product SKU when ordering Black Cover e.g. **MA 202-3BK**

SIDE CONSOLE BOAT COVER



Side Console Boat



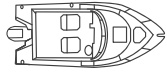
DOPE DYED
POLYESTER CANVAS
280 g/m² - 8.2oz/yd²

- Special cut to allow room for side console.
- Fits boats with bow rails up to 150mm height and console (measured from Gunwale) up to 700mm in height.
- Trailerable and suitable for highway towing.

| SKU | BOAT LENGTH | MAX. BEAM WIDTH | FABRIC WIDTH | FABRIC LENGTH |
|-------------|-------------|-----------------|--------------|---------------|
| MA 205 - 6 | 4.1 - 4.3m | 1.95m | 2895mm | 4960mm |
| MA 205 - 7 | 4.3 - 4.5m | 2.05m | 2940mm | 5110mm |
| MA 205 - 8 | 4.5 - 4.7m | 2.05m | 2995mm | 5397mm |
| MA 205 - 9 | 4.7 - 5.0m | 2.25m | 3195mm | 5697mm |
| MA 205 - 10 | 5.0 - 5.3m | 2.40m | 3445mm | 5997mm |
| MA 205 - 11 | 5.3 - 5.7m | 2.40m | 3445mm | 6297mm |



Cabin Cruiser Boat



DOPE DYED
POLYESTER CANVAS
280 g/m² - 8.2oz/yd²

- Tailored profile cut to accommodate cabin.
- Fits boats with bow rails up to 400mm height, and windscreen or cabin up to 900mm height.
- Trailerable and suitable for highway towing.

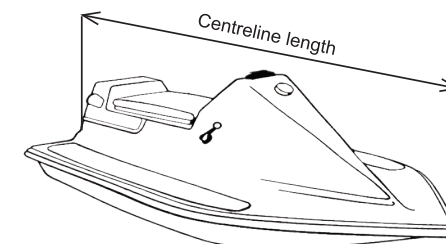
| SKU | BOAT LENGTH | MAX. BEAM WIDTH | FABRIC WIDTH | FABRIC LENGTH |
|-------------|-------------|-----------------|--------------|---------------|
| MA 201 - 9 | 4.7 - 5.0m | 2.25m | 3360mm | 5960mm |
| MA 201 - 10 | 5.0 - 5.3m | 2.40m | 3900mm | 6350mm |
| MA 201 - 11 | 5.3 - 5.6m | 2.40m | 3900mm | 6650mm |
| MA 201 - 12 | 5.6 - 5.9m | 2.45m | 3950mm | 6950mm |
| MA 201 - 13 | 5.9 - 6.3m | 2.50m | 4040mm | 7350mm |
| MA 201 - 14 | 6.3 - 6.7m | 2.50m | 4040mm | 7750mm |



Supplied with webbing straps to tie down the cover
Shock cord around the hem for ease of use

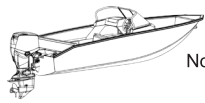


**DOPE DYED
POLYESTER CANVAS**
280 g/m² - 8.2oz/yd²



- A durable cover available in 3 sizes.
- Fits a variety of Jet ski styles.
- Water resistant and breathable.
- An excellent choice for year round storage or an economical trailerable cover.
- Shock cord in hem for easy fit & secure tie down straps to tie it down for trailering.

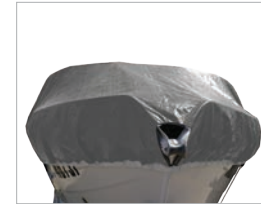
| SKU | CENTRELINE LENGTH |
|-----------------|-------------------|
| MA 077-1 | 2.5 - 2.9m |
| MA 077-2 | 2.9 - 3.4m |
| MA 077-3 | 3.4 - 3.7m |



Normal Boats



Boats with Cabin or High Screen (Select one size bigger cover)



Opening for Anchor



Twin Rope Cleat for easy tightening



FULLY WATERPROOF

- Extra strong 160g/m² PE Tarpualin fabric
- Supplied with a Tie Down Kit
- Protects Boat from Rain, Dirt & UV Rays
- Suitable for seasonal storage
- Light trailering and mooring
- No metal parts or abrasive seams

| SKU | SIZE | FITS BOATS | MAX. BEAM WIDTH | FABRIC WIDTH | FABRIC LENGTH |
|----------|---------------|------------|-----------------|--------------|---------------|
| MA 071-1 | A-Small | 3.3 - 4.0m | 1.8m | 2200mm | 4475mm |
| MA 071-2 | B-Medium | 4.0 - 4.5m | 2.05m | 2800mm | 5220mm |
| MA 071-3 | C-Large | 4.5 - 5.4m | 2.4m | 3400mm | 5950mm |
| MA 071-4 | D-Extra Large | 5.4 - 6.4m | 2.6m | 3400mm | 7185mm |

UNIVERSAL TRAILERABLE COVER



DOPE DYED POLYESTER CANVAS
220g/m² - 6.5oz/yd²



Supplied with Tie-down straps, trailerable straps, and a handy storage bag.



YEAR ROUND STORAGE OR AN ECONOMICAL TRAILERABLE COVER

- A durable cover available in 4 sizes.
- Constructed from 220g/m² ATLAS canvas,
- Water resistant and breathable.
- Elasticised hem.

| SKU | SIZE | FITS BOATS | MAX. BEAM WIDTH | FABRIC WIDTH | FABRIC LENGTH |
|----------|---------------|------------|-----------------|--------------|---------------|
| MA 073-1 | A-Small | 3.3 - 4.0m | 1.8m | 2200mm | 4475mm |
| MA 073-2 | B-Medium | 4.0 - 4.5m | 2.05m | 2800mm | 5220mm |
| MA 073-3 | C-Large | 4.5 - 5.4m | 2.4m | 3400mm | 5950mm |
| MA 073-4 | D-Extra Large | 5.4 - 6.4m | 2.6m | 3400mm | 7185mm |



Reinforced polyester webbing loops sewn into hem for easy fitting of tie-down straps.

Recommended for light to moderate trailering. (Select from Semi-Custom range for long distance travel).

SUPPORT POLE KIT

The Oceansouth Cover Support System extends the life of your cover by eliminating water pooling and debris collecting on the cover. It features the Top and Base solid wheel design which reduces skidding or movement of pole.

- Suits boats up to 24ft - 7.1m.
- Marine grade polymers components.
- Ø25mm - Ø22mm hard anodised aluminium pole.
- 25mm webbing straps attach to top wheel extend across front and to the rear of boat.

COMPLETE KIT INCLUDES:

- Telescopic pole : 710mm - 1220mm with thumb screw adjuster.
- 2 wheels base and top.
- 20m adjustable webbing, quick release buckles.



| SKU | DESCRIPTION |
|-------|---|
| 21062 | Telescopic boat cover support pole with adjustable webbing straps |

BOAT COVER VENT



- Easily installed on cover.
- Under plate locks into top dome, fastened with 4 screws (supplied).
- Provides excellent ventilation around boat, preventing moisture build up, mould or mildew damage.
- Essential for long term storage.

| SKU | SIZE |
|-------|-------------------------------|
| 21065 | L: 107mm W: 112mm D: 35mm |

TWIN ROPE CLEAT (Ratchet)

- Suits 8mm rope.
- Roller guides & twin cleats allow for easy tightening of boat cover rope



| SKU | DESCRIPTION |
|-------|---------------------------|
| 21064 | Twin Rope Cleat (Ratchet) |

TIE DOWN STRAP SET

- Set of 4 adjustable tie downs.
- Polyester woven webbing 25mm x 2.3 m.
- UV nylon quick release buckles.



| SKU | DESCRIPTION |
|-------|-----------------------------------|
| 21015 | Webbing tie down kit with buckles |



100241GR*



100243GR*



100244GR*

| SKU | DESCRIPTION |
|----------|---------------------------|
| 100241GR | Olive Cleat Single (Grey) |
| 100243GR | Olive Cleat Double (Grey) |
| 100244GR | Rope Cleat (Grey) |

* Denotes Product SKU

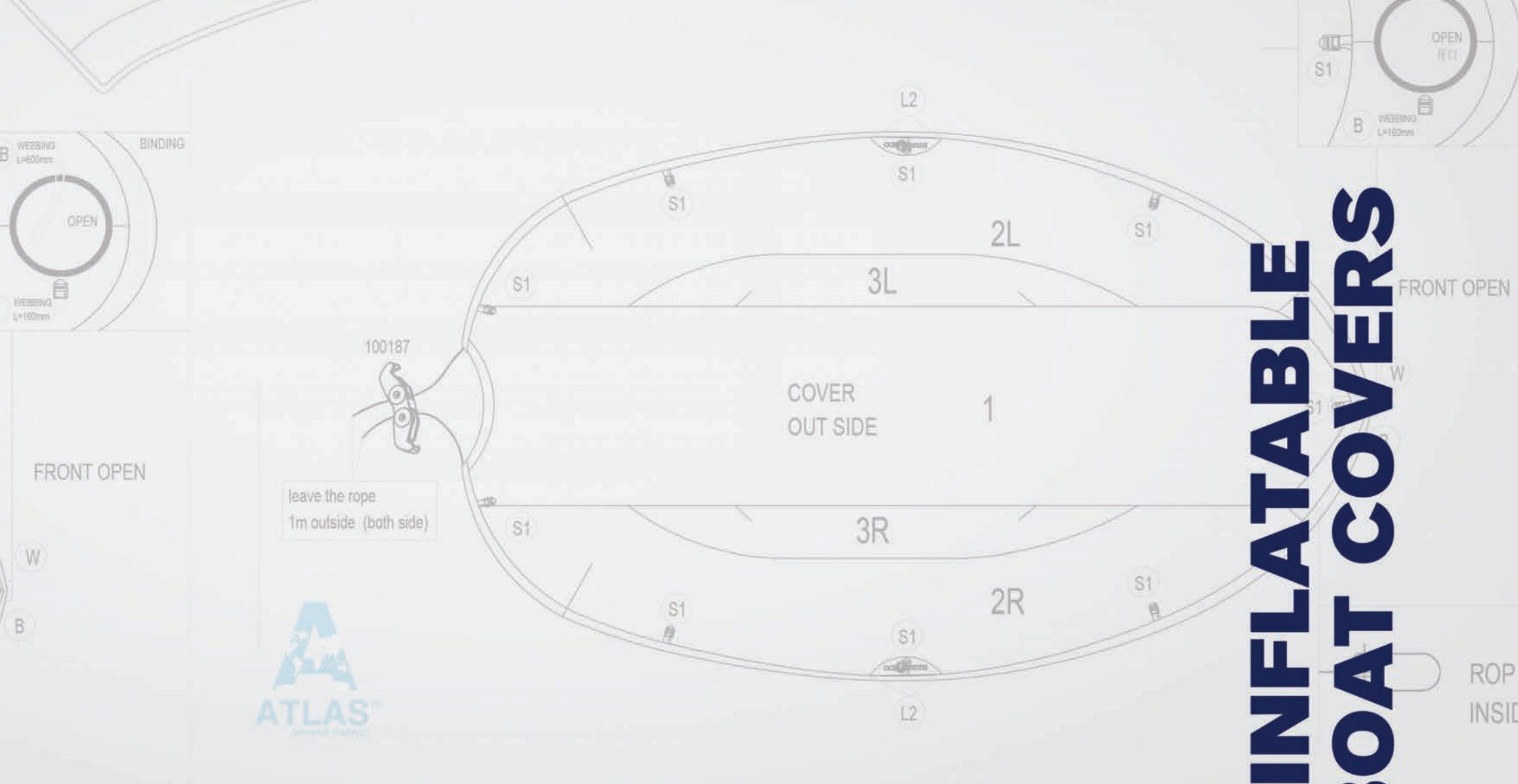
TIE DOWN PACKAGE OF 4 (P4)



| SKU | DESCRIPTION |
|-----|----------------------------|
| P4 | Tie Down Package of 4 (P4) |
| P8 | Tie Down Package of 8 (P8) |

TIE DOWN PACKAGE OF 8 (P8)



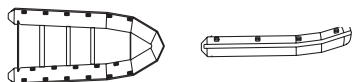


INFLATABLES BOAT COVERS



- 100% High tech Polyester
- Breathable
- 50+
UPF rated

UV Rated
- Water Repellent
- All Weather Conditions



Inflatable Boat



Full cut allows ample room to cover outboard motor.



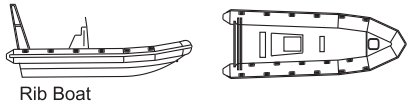
Semi-custom fitted bow for a smoother fit.



DOPE DYED
POLYESTER CANVAS
280 g/m² - 8.2oz/yd²

- Full rear cut accommodates outboard storage.
- Can also be used on boats stored on vertical transom.
- Trailerable and suitable for highway towing.

| SKU | BOAT LENGTH | MAX. BEAM WIDTH | FABRIC WIDTH | FABRIC LENGTH |
|------------|-------------|-----------------|--------------|---------------|
| MA 601 - 1 | 2.3 - 2.6m | 1.5m | 2350mm | 3280mm |
| MA 601 - 2 | 2.6 - 2.9m | 1.55m | 2450mm | 3580mm |
| MA 601 - 3 | 2.9 - 3.2m | 1.65m | 2550mm | 3930mm |
| MA 601 - 4 | 3.2 - 3.6m | 1.75m | 2660mm | 4330mm |
| MA 601 - 5 | 3.6 - 3.9m | 1.90m | 2810mm | 4650mm |
| MA 601 - 6 | 3.9 - 4.3m | 2.00m | 3000mm | 5112mm |
| MA 601 - 7 | 4.3 - 4.7m | 2.10m | 3100mm | 5510mm |



Rib Boat



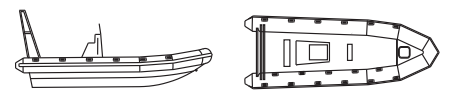
DOPE DYED
POLYESTER CANVAS
280 g/m² - 8.2oz/yd²

- High quality cover
- Design to fit Rib Boats with or without Roll Bars
- Rear opening for Roll Bar with Buckle Fastening
- Trailerable and suitable for highway towing
- Provide full protection for the boat
- Double stitched overlap seams for added strength
- Durable and available in range of sizes

| SKU | BOAT LENGTH | MAX. BEAM WIDTH | FABRIC WIDTH | FABRIC LENGTH |
|-------------|-------------|-----------------|--------------|---------------|
| MA 602 - 8 | 4.7 - 5.0m | 2.3m | 3700mm | 6000mm |
| MA 602 - 9 | 5.1 - 5.3m | 2.3m | 3800mm | 6600mm |
| MA 602 - 10 | 5.4 - 5.6m | 2.3m | 3900mm | 7000mm |
| MA 602 - 11 | 5.7 - 5.9m | 2.3m | 4000mm | 7300mm |
| MA 602 - 12 | 6.0 - 6.3m | 2.3m | 4200mm | 7600mm |
| MA 602 - 13 | 6.4 - 6.7m | 2.5m | 4300mm | 7900mm |
| MA 602 - 14 | 6.8 - 7.1m | 2.8m | 4500mm | 8400mm |
| MA 602 - 15 | 7.2 - 7.5m | 2.8m | 4600mm | 8700mm |
| MA 602 - 16 | 7.6 - 7.9m | 2.8m | 4700mm | 9100mm |
| MA 602 - 17 | 8.0 - 8.3m | 2.8m | 4800mm | 9500mm |
| MA 602 - 18 | 8.4 - 8.7m | 3.1m | 5000mm | 10000mm |
| MA 602 - 19 | 8.8 - 9.1m | 3.1m | 5100mm | 10500mm |

NEW

RIB BOAT COVER STYLE B - FULL STORAGE COVER FOR RIBS FITTED WITH ROLL BARS /ARCHES



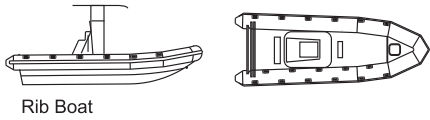
Rib Boat



DOPE DYED
POLYESTER CANVAS
280 g/m² - 8.2oz/yd²

- High quality cover
- Design to fit Rib Boats with Centre Consoles and Roll Bars (Max. Height 1.5m)
- Ideal for Winter or Long-term storage
- Provide full protection for the boat
- Double stitched overlap seams for added strength
- Durable and available in range of sizes

| SKU | BOAT LENGTH | MAX. BEAM WIDTH | FABRIC WIDTH | FABRIC LENGTH |
|-------------|-------------|-----------------|--------------|---------------|
| MA 603 - 7 | 4.3 - 4.7m | 2.1m | 4850mm | 6000mm |
| MA 603 - 8 | 4.7 - 5.0m | 2.3m | 4850mm | 6000mm |
| MA 603 - 9 | 5.1 - 5.3m | 2.3m | 4850mm | 6600mm |
| MA 603 - 10 | 5.4 - 5.6m | 2.3m | 4850mm | 7000mm |
| MA 603 - 11 | 5.7 - 5.9m | 2.3m | 4850mm | 7300mm |
| MA 603 - 12 | 6.0 - 6.3m | 2.3m | 4900mm | 7600mm |
| MA 603 - 13 | 6.4 - 6.7m | 2.5m | 5050mm | 7900mm |
| MA 603 - 14 | 6.8 - 7.1m | 2.8m | 5350mm | 8400mm |
| MA 603 - 15 | 7.2 - 7.5m | 2.8m | 5350mm | 8700mm |
| MA 603 - 16 | 7.6 - 7.9m | 2.8m | 5350mm | 9100mm |
| MA 603 - 17 | 8.0 - 8.3m | 2.8m | 5350mm | 9500mm |
| MA 603 - 18 | 8.4 - 8.7m | 3.1m | 5650mm | 10000mm |
| MA 603 - 19 | 8.8 - 9.1m | 3.1m | 5650mm | 10500mm |



Rib Boat



DOPE DYED
POLYESTER CANVAS
280 g/m² - 8.2oz/yd²

- High quality cover
- Design to fit Rib Boats with Centre Consoles and T-Top (Max. Height 1.5m)
- Ideal for Winter or Long-term storage
- Provide full protection for the boat
- Double stitched overlap seams for added strength
- Durable and available in range of sizes

| SKU | BOAT LENGTH | MAX. BEAM WIDTH |
|-------------|--------------|-----------------|
| MA 604 - 14 | 6.8 - 7.1m | 2.8m |
| MA 604 - 15 | 7.2 - 7.5m | 2.8m |
| MA 604 - 16 | 7.6 - 7.9m | 2.8m |
| MA 604 - 17 | 8.0 - 8.3m | 2.8m |
| MA 604 - 18 | 8.4 - 8.7m | 3.1m |
| MA 604 - 19 | 8.8 - 9.1m | 3.1m |
| MA 604 - 20 | 9.2 - 9.5m | 3.2m |
| MA 604 - 21 | 9.6 - 9.9m | 3.2m |
| MA 604 - 22 | 10.0 - 10.5m | 3.2m |
| MA 604 - 23 | 10.6 - 11.0m | 3.2m |

Choose the style that best suits your boat then follow the measuring instructions to find the correct size.

1. MEASURE BOAT LENGTH

Measure in a straight line the centreline distance of your boat from Bow to Stern.

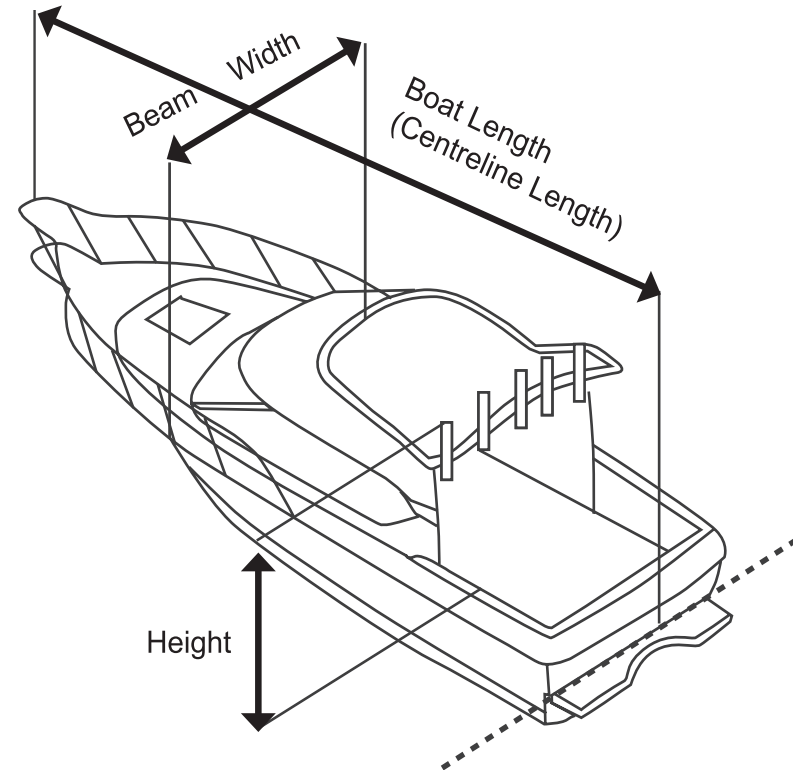
2. MEASURE BEAM WIDTH

Measure in a straight line the distance across the beam (widest point of your boat)

3. MEASURE HEIGHT (from gunwale)

Measure a straight line from the gunwale to the highest point on your boat including boat fittings e.g.cabins, windscreens etc.

NOTE: It is recommended that both measurement instructions are used to help you choose the correct cover size.



OVERALL FABRIC MEASUREMENTS

1. MEASURE FABRIC WIDTH

Using the 'overall cover fabric width' measurement of your chosen cover, measure across the widest point of your boat, over the top of any boat fittings e.g. cabin, windscreens etc.to the point on the hull where the cover's hem will finish.

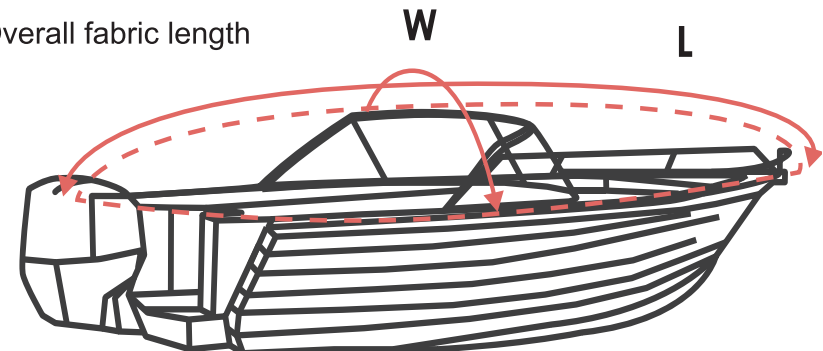
2. MEASURE FABRIC LENGTH

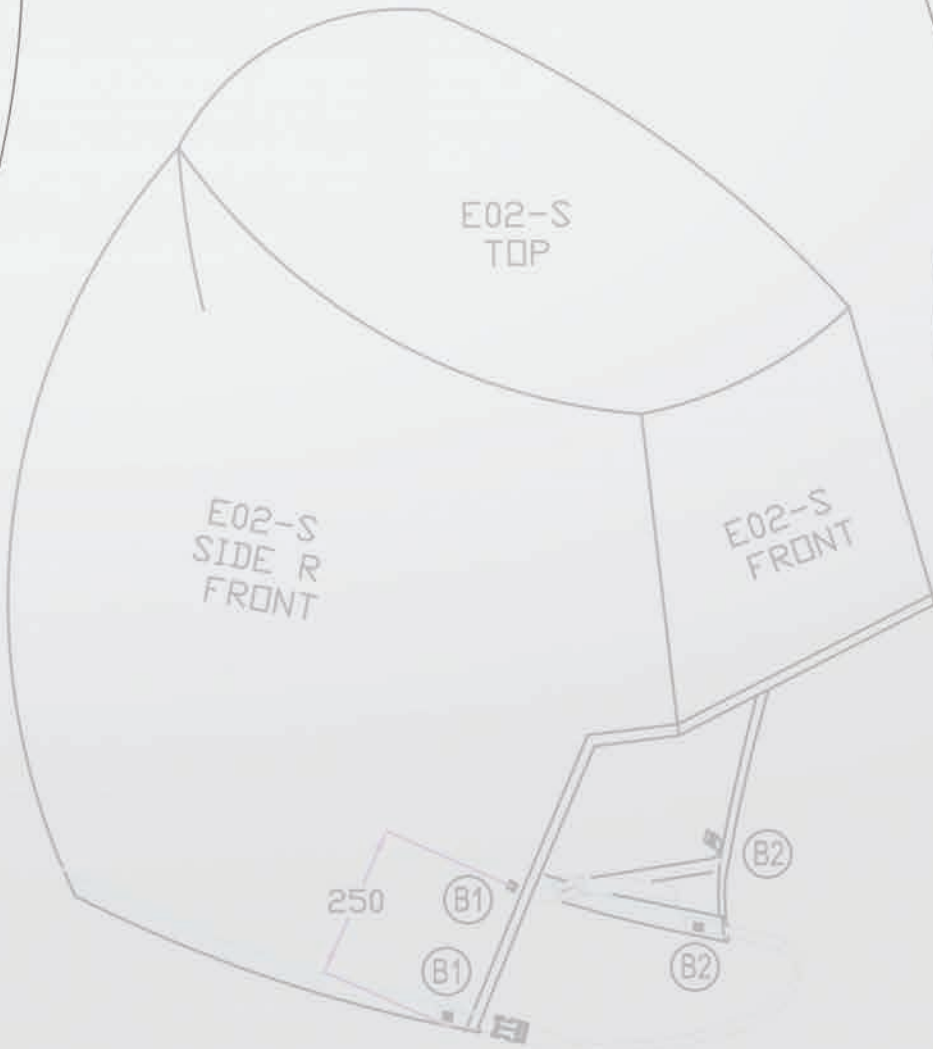
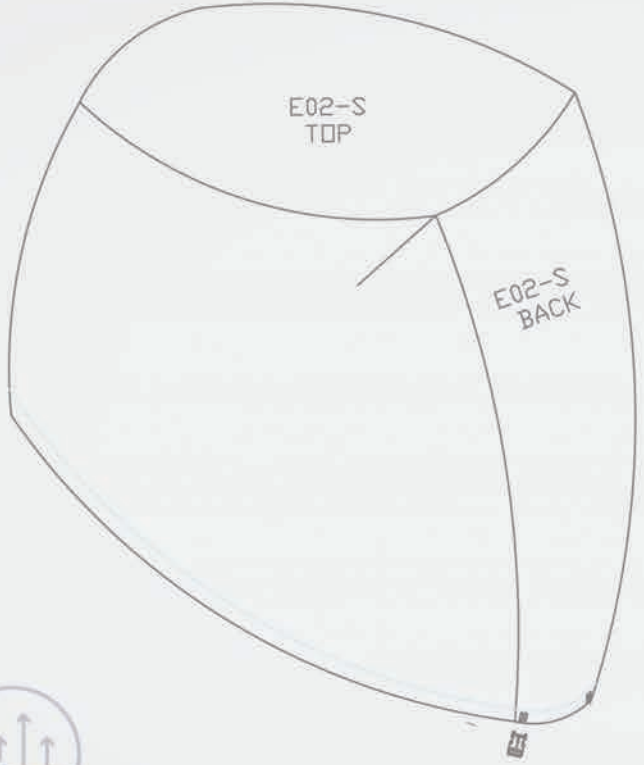
Using the 'overall cover fabric length' measurement of your chosen cover, measure along the length of your boat, over the top of any boat fittings e.g. cabin, windscreens etc. to the point on the hull where the cover's hem will finish

OVERALL COVER DIMENSIONS

W Overall fabric width

L Overall fabric length





OUTBOARDS COVERS



SILVER SOFT RANGE
DOPE DYED POLYESTER CANVAS
340 g/m² - 10.3oz/yd²



Twin Rope Cleat for easy tightening



Elasticized hem on all covers



Mesh Vent in vented motor cover



#10 zipper in full motor cover



HALF COVER

Custom fit, designed to fit your engine



| SKU | MERCURY ENGINE - HALF COVER |
|--------------------|---|
| NEW M0000-S | VERADO V12 7.6L 500HP, 600HP (2021>) |
| M000-S | 4 STROKE V8 4.6L 250HP, 300HP, 450HP & 200 to 300PRO XS (2018>) |
| M00-S | VERADO 6CYL 2.6L 200 TO 400HP (2005>) |
| M02-S | 4 STROKE V6 3.4L 175HP, 200HP, 225HP & 175PRO XS (2018>) |
| M05-S | VERADO 4CYL 1.7L 135HP, 150HP, 175HP, 200HP (2005>) |
| M10-S | 4 STROKE 4CYL 3.0L 135HP, 150HP (2011>) |
| M15-S | 4 STROKE 4CYL 2.1L 75HP, 80HP, 90HP, 100HP 115HP (2014>) |
| M20-S | 4 STROKE 4CYL 995CC 40HP, 50HP, 60HP (2008>) |
| M25-S | 4 STROKE 3CYL 747CC 40HP (2008>) |
| M30-S | 4 STROKE 3CYL 526CC 25HP, 30HP (2007>) |
| M35-S | 4 STROKE 2CYL 333CC 15HP, 20HP (2018>) |
| M40-S | 4 STROKE 2CYL 209CC 8HP, 9.9HP (2006>) |
| M45-S | 4 STROKE 1CYL 123CC 4HP, 5HP, 6HP (2012>) |
| M50-S | 4 STROKE 1CYL 85CC 2.5HP, 3.5HP (2007>) |

FULL COVER

Custom fit, designed to fit your engine



| SKU | LEG | FULL COVER |
|---------------------|-----|--|
| NEW M0000-20 | 20" | |
| M0000-25 | 25" | VERADO V12 7.6L |
| M0000-30 | 30" | 500HP, 600HP (2021>) |
| M0000-35 | 35" | |
| M000-20 | 20" | 4 STROKE V8 4.6L |
| M000-25 | 25" | 250HP, 300HP, 450HP & 200 to 300PRO XS (2018>) |
| M000-30 | 30" | |
| M00-20 | 20" | VERADO 6CYL 2.6L |
| M00-25 | 25" | 200 TO 400HP (2005>) |
| M00-30 | 30" | |
| M02-20 | 20" | 4 STR V6 3.4L |
| M02-25 | 25" | 175HP, 200HP, 225HP & 175PRO XS (2018>) |
| M02-30 | 30" | |
| M05-20 | 20" | VERADO 4CYL 1.7L |
| M05-25 | 25" | 135HP, 150HP, 175HP, 200HP (2005>) |
| M10-20 | 20" | 4 STR 4CYL 3.0L |
| M10-25 | 25" | 135HP, 150HP (2011>) |
| M15-20 | 20" | 4 STR 4CYL 2.1L |
| M15-25 | 25" | 75HP, 80HP, 90HP, 100HP, 115HP (2014>) |

| SKU | LEG | FULL COVER |
|--------|-----|--------------------------|
| M20-15 | 15" | 4 STR 4CYL 995CC |
| M20-20 | 20" | 40HP, 50HP, 60HP (2008>) |
| M20-25 | 25" | |
| M25-15 | 15" | 4 STR 3CYL 747CC |
| M25-20 | 20" | 40HP (2008>) |
| M30-15 | 15" | 4 STR 3CYL 526CC |
| M30-20 | 20" | 25HP, 30HP (2007>) |
| M35-15 | 15" | |
| M35-20 | 20" | 4 STR 2CYL 333CC |
| M35-25 | 25" | 15HP, 20HP (2018>) |
| M40-15 | 15" | 4 STR 2CYL 209CC |
| M40-20 | 20" | 8HP, 9.9HP (2006>) |
| M45-15 | 15" | 4 STR 1CYL 123CC |
| M45-20 | 20" | 4HP, 5HP, 6HP (2012>) |
| M50-15 | 15" | 4 STR 1CYL 85CC |
| M50-20 | 20" | 2.5HP, 3.5HP (2007>) |

VENTED COVER

Designed to stay on when motoring



| SKU | MERCURY ENGINE - VENTED COVER |
|--------------------|---|
| NEW M0000-V | VERADO V12 7.6L 500HP, 600HP (2021>) |
| M000-V | 4 STROKE V8 4.6L 250HP, 300HP, 450HP & 200 to 300PRO XS (2018>) |
| M00-V | VERADO 6CYL 2.6L 200 TO 400HP (2005>) |
| M02-V | 4 STROKE V6 3.4L 175HP, 200HP, 225HP & 175PRO XS (2018>) |
| M05-V | VERADO 4CYL 1.7L 135HP, 150HP, 175HP, 200HP (2005>) |
| M10-V | 4 STROKE 4CYL 3.0L 135HP, 150HP (2011>) |
| M15-V | 4 STROKE 4CYL 2.1L 75HP, 80HP, 90HP, 100HP 115HP (2014>) |
| M20-V | 4 STROKE 4CYL 995CC 40HP, 50HP, 60HP (2008>) |
| M25-V | 4 STROKE 3CYL 747CC 40HP (2008>) |
| M30-V | 4 STROKE 3CYL 526CC 25HP, 30HP (2007>) |
| M35-V | 4 STROKE 2CYL 333CC 15HP, 20HP (2018>) |
| M40-V | 4 STROKE 2CYL 209CC 8HP, 9.9HP W/LIFT HARNESS (2006>) |
| M45-V | 4 STROKE 1CYL 123CC 4HP, 5HP, 6HP W/LIFT HARNESS (2012>) |
| M50-V | 4 STROKE 1CYL 85CC 2.5HP, 3.5HP W/LIFT HARNESS (2007>) |



HALF COVER

Custom fit, designed to fit your engine



SILVER SOFT RANGE
DOPE DYED POLYESTER CANVAS
340 g/m² - 10.3oz/yd²



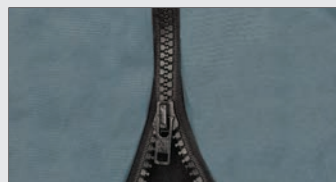
Twin Rope Cleat for easy tightening



Elasticized hem on all covers



Mesh Vent in vented motor cover



#10 zipper in full motor cover

| SKU | YAMAHA ENGINE - HALF COVER |
|-------------------|---|
| Y000-S | XTO V8 5.6L F425A (2018>) |
| Y00-S | V8 5.3L F350A (2007>) |
| NEW Y05A-S | V6 4.2L F225, F250, F300 (2021>) |
| Y05-S | V6 4.2L F225F, F250D, F300B (2010 - 2020) |
| Y10-S | 4CYL 2.8L F150D, F175A, F200F(2015>) |
| Y15-S | 4CYL 2.7L F150D (2016>) |
| Y20-S | 4CYL 1.8L F115B, F130A (2015>) |
| Y24-S | 4CYL 1.8L F75D, F90C, F100F (2017>) |
| Y25-S | 4CYL 996CC F50H, F60F, F70A (2010>) |
| Y30-S | 3CYL 747CC F30B, F40F (2009>) |
| Y35A-S | 2CYL 432CC F25G, F25C (2017>) |
| Y35-S | 2CYL 498CC F25D (2010>) |
| Y40-S | 2CYL 362CC F15C, F20B (2007>) |
| Y45-S | 2CYL 212CC F8F, F9.9J (2013>) |
| Y50-S | 1CYL 139CC F4B, F5A, F6C (2010>) |
| Y55-S | 1CYL 72CC F2.5B (2015>) |

FULL COVER

Custom fit, designed to fit your engine



VENTED COVER

Designed to stay on when motoring



| SKU | LEG | FULL COVER |
|--------------------|-----|---|
| Y000-25 | 25" | |
| Y000-30 | 30" | XTO V8 5.6L F425A (2018>) |
| Y000-35 | 35" | |
| Y00-25 | 25" | V8 5.3L |
| Y00-30 | 30" | F350A (2007>) |
| NEW Y05A-25 | 25" | |
| Y05A-30 | 30" | V6 4.2L F225, F250, F300 (2021>) |
| Y05A-35 | 35" | |
| Y05-25 | 25" | V6 4.2L F225F, F250D, F300B (2010 - 2020) |
| Y05-30 | 30" | |
| Y10-20 | 20" | 4CYL 2.8L F150D, F175A, F200F (2015>) |
| Y10-25 | 25" | |
| Y15-20 | 20" | 4CYL 2.7L F150D (2016>) |
| Y15-25 | 25" | |
| Y20-20 | 20" | 4CYL 1.8L F115B, F130A (2015>) |
| Y20-25 | 25" | |

| SKU | LEG | FULL COVER |
|---------|-----|---|
| Y24-20 | 20" | 4CYL 1.8L F75D, F90C, F100F (2017>) |
| Y24-25 | 25" | |
| Y25-20 | 20" | 4CYL 996CC F50H, F60F, F70A (2010>) |
| Y30-20 | 20" | 3CYL 747CC F30B, F40F (2009>) |
| Y35A-15 | 15" | 2CYL 432CC F25G, F25C (2017>) |
| Y35A-20 | 20" | |
| Y35-15 | 15" | 2 CYL 498CC F25D (2010>) |
| Y35-20 | 20" | |
| Y40-15 | 15" | 2CYL 362CC F15C, F20B (2007>) |
| Y40-20 | 20" | |
| Y45-15 | 15" | 2CYL 212CC F8F, F9.9J (2013>) |
| Y45-20 | 20" | |
| Y50-15 | 15" | 1CYL 139CC F4B, F5A, F6C (2010>) |
| Y50-20 | 20" | |
| Y55-15 | 15" | 1CYL 72CC F2.5B (2015>) |

| SKU | YAMAHA ENGINE - VENTED COVER |
|-------------------|---|
| Y000-V | XTO V8 5.6L F425A (2018>) |
| Y00-V | V8 5.3L F350A (2007>) |
| NEW Y05A-V | V6 4.2L F225, F250, F300 (2021>) |
| Y05-V | V6 4.2L F225F, F250D, F300B (2010 - 2020) |
| Y10-V | 4CYL 2.8L F150D, F175A, F200F (2015>) |
| Y15-V | 4CYL 2.7L F150D (2016>) |
| Y20-V | 4CYL 1.8L F115B, F130A (2015>) |
| Y24-V | 4CYL 1.8L F75D, F90C, F100F (2017>) |
| Y25-V | 4CYL 996CC F50H, F60F, F70A (2010>) |
| Y30-V | 3CYL 747CC F30B, F40F (2009>) |
| Y35A-V | 2CYL 432CC F25G, F25C (2017>) |
| Y35-V | 2 CYL 498CC F25D (2010>) |
| Y40-V | 2CYL 362CC F15C, F20B (2007>) |
| Y45-V | 2CYL 212CC F8F, F9.9J W/LIFT HARNESS (2013>) |
| Y50-V | 1CYL 139CC F4B, F5A, F6C W/LIFT HARNESS (2010>) |
| Y55-V | 1CYL 72CC F2.5B W/LIFT HARNESS (2015>) |



HALF COVER

Custom fit, designed to fit your engine



SILVER SOFT RANGE
DOPE DYED POLYESTER CANVAS
340 g/m² - 10.3oz/yd²



Twin Rope Cleat for easy tightening



Elasticized hem on all covers



Mesh Vent in vented motor cover



#10 zipper in full motor cover

| SKU | SUZUKI ENGINE - HALF COVER |
|-------------------|--|
| S000-S | V6 4.4L DF350A, DF325A, DF300B (2017>) |
| S00-S | V6 4.0L DF250AP, DF300AP (2012>) |
| S05-S | V6 3.6L DF200, DF225, DF250 (2003>) |
| S06-S | 4CYL 2.8L DF150AP, DF175AP, DF200AP (2014>) |
| S10-S | 4CYL 2.8L DF150, DF175 (2005>) |
| S15-S | 4CYL 2.0L DF100A, DF115A, DF140A (2012 - 2020) |
| NEW S15A-S | 4 CYL 2.0L DF115BG DF140BG (2021>) |
| S20-S | 4CYL 1.5L DF70A, DF80A, DF90A (2008>) |
| S25-S | 3CYL DF40A, DF50A, DF60A (2010>) |
| S30-S | 3CYL DF25A, DF30A (2014>) |
| S35-S | 2CYL 327CC DF15A, DF20A (2012>) |
| S40-S | 1CYL 208CC DF8A, DF9.9A (2010>) |
| S45-S | 1CYL 138CC DF4A, DF5A, DF6A (2002>) |
| S50-S | 1CYL 68CC DF2.5 (2006>) |

FULL COVER

Custom fit, designed to fit your engine



VENTED COVER

Designed to stay on when motoring



| SKU | LEG | FULL COVER |
|--------------------|-----|--|
| S000-25 | 25" | V6 4.4L DF350A, DF325A, DF300B (2017>) |
| S000-30 | 30" | |
| S00-25 | 25" | V6 4.0L DF250AP, DF300AP (2012>) |
| S00-30 | 30" | |
| S05-25 | 25" | V6 3.6L DF200, DF225, DF250 (2003>) |
| S05-30 | 30" | |
| S06-25 | 25" | 4CYL 2.8L DF150AP, DF175AP, DF200AP (2014>) |
| S06-30 | 30" | |
| S10-20 | 20" | 4CYL 2.8L DF150, DF175 (2005>) |
| S10-25 | 25" | |
| S15-20 | 20" | 4CYL 2.0L DF100A, DF115A, DF140A (2012 - 2020) |
| S15-25 | 25" | |
| NEW S15A-20 | 20" | 4 CYL 2.0L DF115BG DF140BG (2021>) |
| S15A-25 | 25" | |

| SKU | LEG | FULL COVER |
|--------|-----|---|
| S20-20 | 20" | 4CYL 1.5L DF70A, DF80A, DF90A (2008>) |
| S20-25 | 25" | |
| S25-20 | 20" | 3CYL DF40A, DF50A, DF60A (2010>) |
| S25-25 | 25" | |
| S30-15 | 15" | 3CYL DF25A, DF30A (2014>) |
| S30-20 | 20" | |
| S35-15 | 15" | 2CYL 327CC DF15A, DF20A (2012>) |
| S35-20 | 20" | |
| S40-15 | 15" | 1CYL 208CC DF8A, DF9.9A (2010>) |
| S40-20 | 20" | |
| S45-15 | 15" | 1CYL 138CC DF4A, DF5A, DF6A (2002>) |
| S45-20 | 20" | |
| S50-15 | 15" | 1CYL 68CC DF2.5 (2006>) |

| SKU | SUZUKI ENGINE - VENTED COVER |
|-------------------|--|
| S000-V | V6 4.4L DF350A, DF325A, DF300B (2017>) |
| S00-V | V6 4.0L DF250AP, DF300AP (2012>) |
| S05-V | V6 3.6L DF200, DF225, DF250 (2003>) |
| S06-V | 4CYL 2.8L DF150AP, DF175AP, DF200AP (2014>) |
| S10-V | 4CYL 2.8L DF150, DF175 (2005>) |
| S15-V | 4 CYL 2.0L DF100A, DF115A, DF140A (2012 - 2020) |
| NEW S15A-V | 4 CYL 2.0L DF115BG DF140BG (2021>) |
| S20-V | 4CYL 1.5L DF70A, DF80A, DF90A (2008>) |
| S25-V | 3CYL DF40A, DF50A, DF60A (2010>) |
| S30-V | 3CYL DF25A, DF30A (2014>) |
| S35-V | 2CYL 327CC DF15A, DF20A (2012>) |
| S40-V | 1CYL 208CC DF8A, DF9.9A W/LIFT HARNESS (2010>) |
| S45-V | 1CYL 138CC DF4A, DF5A, DF6A W/LIFT HARNESS (2002>) |
| S50-V | 1CYL 68CC DF2.5 W/LIFT HARNESS (2006>) |



HALF COVER

Custom fit, designed to fit your engine



SILVER SOFT RANGE
DOPE DYED POLYESTER CANVAS
340 g/m² - 10.3oz/yd²



Twin Rope Cleat for easy tightening



Elasticized hem on all covers



Mesh Vent in vented motor cover



#10 zipper in full motor cover

| SKU | HONDA ENGINE - HALF COVER |
|--------|--|
| H00-S | V6 3.6L BF250 (2011-2018) |
| H00A-S | V6 3.6L BF175, BF200, BF225, BF250 (2019>) |
| H05-S | V6 3.5L BF175, BF200, BF225 (2010>) |
| H10-S | 4CYL 2.3L BF115, BF135, BF150 (2010>) |
| H15-S | 4CYL 1.5L BF75, BF80, BF90, BF100 (2014>) |
| H20-S | 3CYL 1L BF60 (2009) BFP60 (2009>) |
| H25-S | 3CYL 808CC BF40, BF50 (2017>) |
| H30-S | 3CYL 552CC BF25, BF30 (2002>) |
| H35-S | 2CYL 350CC BF15, BF20 (2002>) |
| H40-S | 2CYL 222CC BF8, BF9.9, BF10 (2000>) |
| H45-S | 1CYL 127CC BF4, BF5, BF6 (2016>) |
| H50-S | 1CYL 57CC BF2.3 (2014>) |

FULL COVER

Custom fit, designed to fit your engine



VENTED COVER

Designed to stay on when motoring



| SKU | LEG | FULL COVER |
|---------|-----|--|
| H00-20 | 20" | V6 3.6L BF250 (2011-2018) |
| H00-25 | 25" | |
| H00-30 | 30" | |
| H00A-20 | 20" | V6 3.6L BF175, BF200, BF225, BF250 (2019>) |
| H00A-25 | 25" | |
| H00A-30 | 30" | |
| H05-20 | 20" | V6 3.5L BF175, BF200, BF225 (2010>) |
| H05-25 | 25" | |
| H05-30 | 30" | |
| H10-20 | 20" | 4CYL 2.3L BF115, BF135, BF150 (2010>) |
| H10-25 | 25" | |
| H15-20 | 20" | 4CYL 1.5L BF75, BF80, BF90, BF100 (2014>) |
| H15-25 | 25" | |
| H20-20 | 20" | 3CYL 1L BF60 (2009) BFP60 (2009>) |
| H20-25 | 25" | |

| SKU | LEG | FULL COVER |
|--------|-----|---|
| H25-20 | 20" | 3CYL 808CC BF40, BF50 (2017>) |
| H25-25 | 25" | |
| H30-15 | 15" | 3CYL 552CC BF25, BF30 (2002>) |
| H30-20 | 20" | |
| H35-15 | 15" | 2CYL 350CC BF15, BF20 (2002>) |
| H35-20 | 20" | |
| H35-25 | 25" | |
| H40-15 | 15" | 2CYL 222CC BF8, BF9.9, BF10 (2000>) |
| H40-20 | 20" | |
| H45-15 | 15" | 1CYL 127CC BF4, BF5, BF6 (2016>) |
| H45-20 | 20" | |
| H50-15 | 15" | 1CYL 57CC BF2.3 (2014>) |
| H50-20 | 20" | |

| SKU | HONDA ENGINE - VENTED COVER |
|--------|--|
| H00-V | V6 3.6L BF250 (2011-2018) |
| H00A-V | V6 3.6L BF175, BF200, BF225, BF250 (2019>) |
| H05-V | V6 3.5L BF175, BF200, BF225 (2010>) |
| H10-V | 4CYL 2.3L BF115, BF135, BF150 (2010>) |
| H15-V | 4CYL 1.5L BF75, BF80, BF90, BF100 (2014>) |
| H20-V | 3CYL 1L BF60 (2009) BFP60 (2009>) |
| H25-V | 3CYL 808CC BF40, BF50 (2017>) |
| H30-V | 3CYL 552CC BF25, BF30 (2002>) |
| H35-V | 2CYL 350CC BF15, BF20 (2002>) |
| H40-V | 2CYL 222CC BF8, BF9.9, BF10 (2000>) |
| H45-V | 1CYL 127CC BF4, BF5, BF6 (2016>) |
| H50-V | 1CYL 57CC BF2.3 (2014>) |



HALF COVER

Custom fit, designed to fit your engine



SILVER SOFT RANGE
DOPE DYED POLYESTER CANVAS
340 g/m² - 10.3oz/yd²



Twin Rope Cleat for easy tightening



Elasticized hem on all covers



Mesh Vent in vented motor cover



#10 zipper in full motor cover

| SKU | EVINRUDE ENGINE - HALF COVER |
|-------|--|
| E00-S | G2 V6 3.4L 225HP, 250HP, 300HP, 200H.O, 225H.O, 250H.O (2014>) |
| E02-S | G2 V6 2.7L 150HP, 175HP, 200HP, 150H.O (2016>) |
| E03-S | G2 3CYL 1.9L 115H.O, 150HP, 150HP (2019>) |
| E05-S | E-TEC V6 3.3L 225HP to 300HP, 200H.O to 250H.O (2005-2016) |
| E10-S | V6 2.6L 150HP, 175HP, 200HP, 135H.O, 150H.O (2004>) |
| E15-S | E-TEC V4 1.7L 115HP, 130HP, 90H.O (2005>) |
| E20-S | E-TEC 3CYL 75HP, 90HP, 60H.O (2003>) |
| E25-S | E-TEC 2CYL 40HP, 50HP, 60HP (2003>) |
| E30-S | E-TEC 2CYL 25HP, 30HP, 15H.O (2009>) |

FULL COVER

Custom fit, designed to fit your engine



VENTED COVER

Designed to stay on when motoring



| SKU | LEG | FULL COVER |
|--------|-----|--------------------------------------|
| E00-20 | 20" | G2 V6 3.4L |
| E00-25 | 25" | 225HP, 250HP, 300HP, 200H.O, 225H.O, |
| E00-30 | 30" | 250H.O (2014>) |
| E02-20 | 20" | G2 V6 2.7L |
| E02-25 | 25" | 150HP, 175HP, 200HP, 150H.O (2016>) |
| E03-20 | 20" | G2 3CYL 1.9L |
| E03-25 | 25" | 115H.O, 150HP, 150HP (2019>) |
| E05-20 | 20" | E-TEC V6 3.3L |
| E05-25 | 25" | 225HP, 250HP, 300HP, 200H.O, 225H.O, |
| E05-30 | 30" | 250H.O (2005-2016) |

| SKU | LEG | FULL COVER |
|--------|-----|---|
| E10-20 | 20" | V6 2.6L |
| E10-25 | 25" | 150HP, 175HP, 200HP, 135H.O, 150H.O (2004>) |
| E15-20 | 20" | E-TEC V4 1.7L |
| E15-25 | 25" | 115HP, 130HP, 90H.O (2005>) |
| E20-20 | 20" | E-TEC 3 CYL |
| E20-25 | 25" | 75HP, 90HP, 60H.O (2003>) |
| E25-20 | 20" | E-TEC 2CYL |
| E30-15 | 15" | 40HP to 60HP (2003>) |
| E30-20 | 20" | E-TEC 2 CYL |
| E30-20 | 20" | 25HP, 30HP, 15H.O (2009>) |

| SKU | EVINRUDE ENGINE - VENTED COVER |
|-------|---|
| E00-V | G2 V6 3.4L 225HP, 250HP, 300HP, 200H.O, 225H.O, 250H.O (2014>) |
| E02-V | G2 V6 2.7L 150HP, 175HP, 200HP, 150H.O (2016>) |
| E03-V | G2 3CYL 1.9L 115H.O, 150HP, 150HP (2019>) |
| E05-V | E-TEC V6 3.3L 225HP to 300HP, 200H.O to 250H.O (2005-2016) |
| E10-V | V6 2.6L 150HP, 175HP, 200HP, 135H.O, 150H.O (2004>) |
| E15-V | E-TEC V4 1.7L 115HP, 130HP, 90H.O (2005>) |
| E20-V | E-TEC 3CYL 75HP, 90HP, 60H.O (2003>) |
| E25-V | E-TEC 2CYL 40HP, 50HP, 60HP (2003>) |



SILVER SOFT RANGE
DOPE DYED
POLYESTER CANVAS
340 g/m² - 10.3oz/yd²

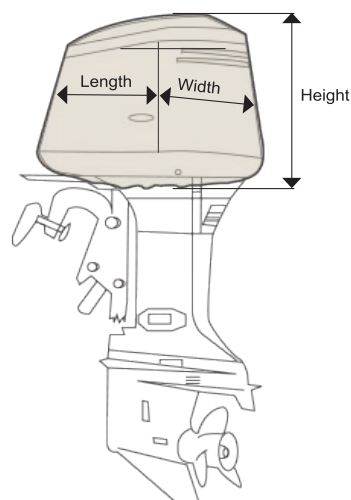


Draw string to ensure tight fit

Reinforced top-stitched seams.

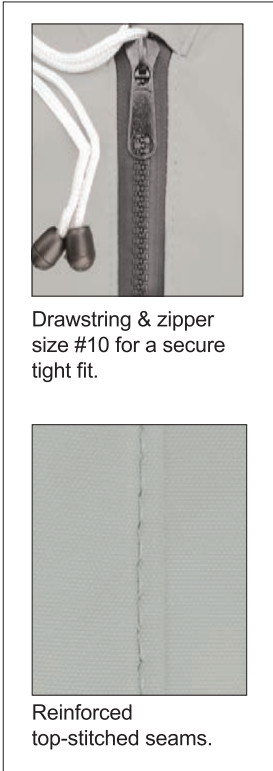


- Soft felt lining for superior protection.
- Draw string to ensure tight fit.
- 6 sizes to suit 2 & 4 stroke engines.
- Reinforced top stitched seams.



| SKU | ENGINE SIZE | LENGTH | WIDTH | HEIGHT |
|------------|-------------|--------|-------|--------|
| MA 074 - 1 | UP TO 15HP | 520mm | 270mm | 320mm |
| MA 074 - 2 | 15 - 30HP | 560mm | 300mm | 400mm |
| MA 074 - 3 | 30 - 60hp | 620mm | 360mm | 490mm |
| MA 074 - 4 | 60 - 100hp | 680mm | 400mm | 530mm |
| MA 074 - 5 | 100 - 150hp | 740mm | 460mm | 580mm |
| MA 074 - 6 | 175 - 250hp | 820mm | 500mm | 600mm |

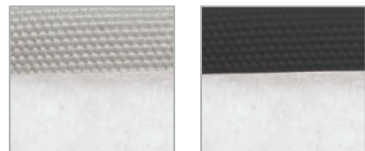
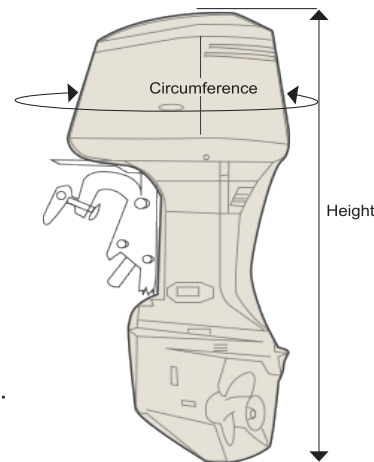
SILVER SOFT RANGE
DOPE DYED
POLYESTER CANVAS
340 g/m² - 10.3oz/yd²



'High Vis' Section gives excellent visibility when trailering



MEASUREMENT GUIDE



- Soft felt lining for superior protection.
- Zip up leg section with draw string to ensure tight fit.
- 9 sizes to suit 2 & 4 stroke engines.
- Reinforced top stitched seams.

| SKU | FITS ENGINE SIZES | CIRCUMFERENCE | HEIGHT |
|-------------|-------------------|---------------|--------|
| MA 075 - 1 | UP TO 3.5HP | 1260mm | 980mm |
| MA 075 - 2 | 3.5 - 6HP | 1400mm | 1100mm |
| MA 075 - 3 | 8 - 20HP | 1500mm | 1250mm |
| MA 075 - 4 | 9.9 - 30HP | 1650mm | 1370mm |
| MA 075 - 5 | 25 - 60HP | 1800mm | 1440mm |
| MA 075 - 6 | 40 - 100HP | 2000mm | 1700mm |
| MA 075 - 7 | 70 - 150HP | 2260mm | 1900mm |
| MA 075 - 8 | 135 - 250HP | 2485mm | 1970mm |
| MA 075 - 9 | 200 - 300HP | 2540mm | 1980mm |
| MA 075 - 9L | 200 - 300HP | 2540mm | 2100mm |

COLOUR SKU REQUIRED WHEN ORDERING G - Grey , BK - Black



SILVER SOFT RANGE
DOPE DYED
POLYESTER CANVAS
340 g/m² - 10.3oz/yd²



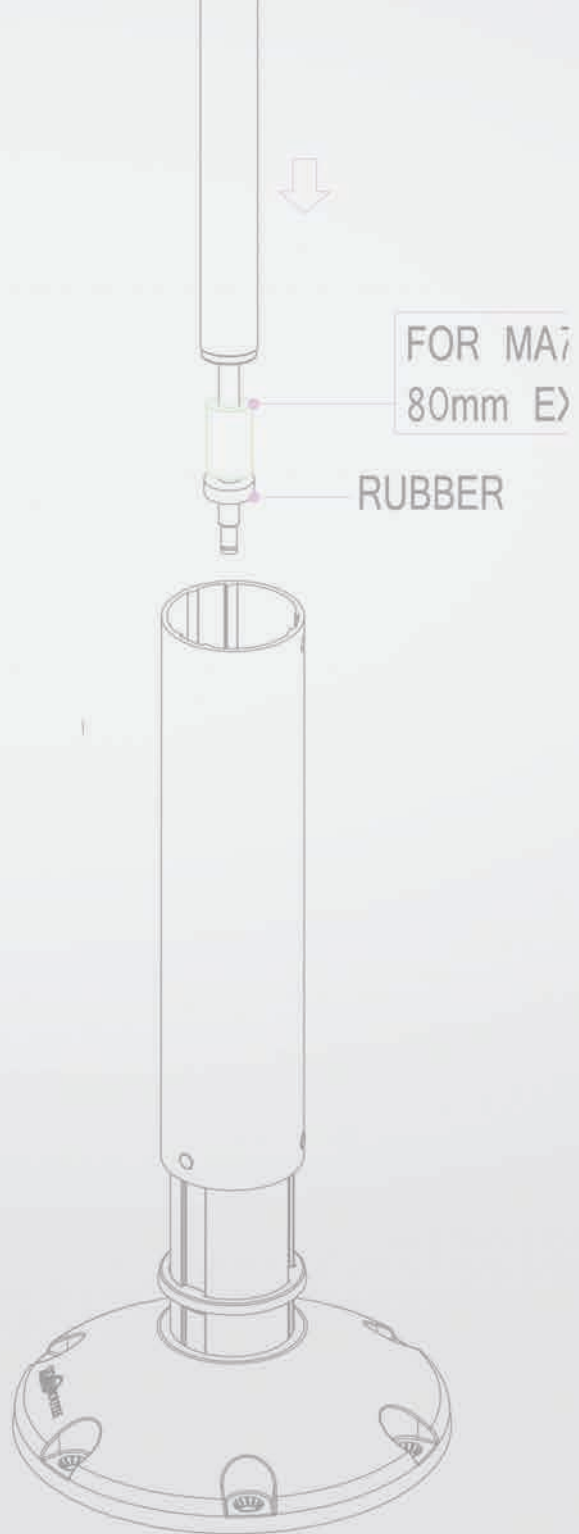
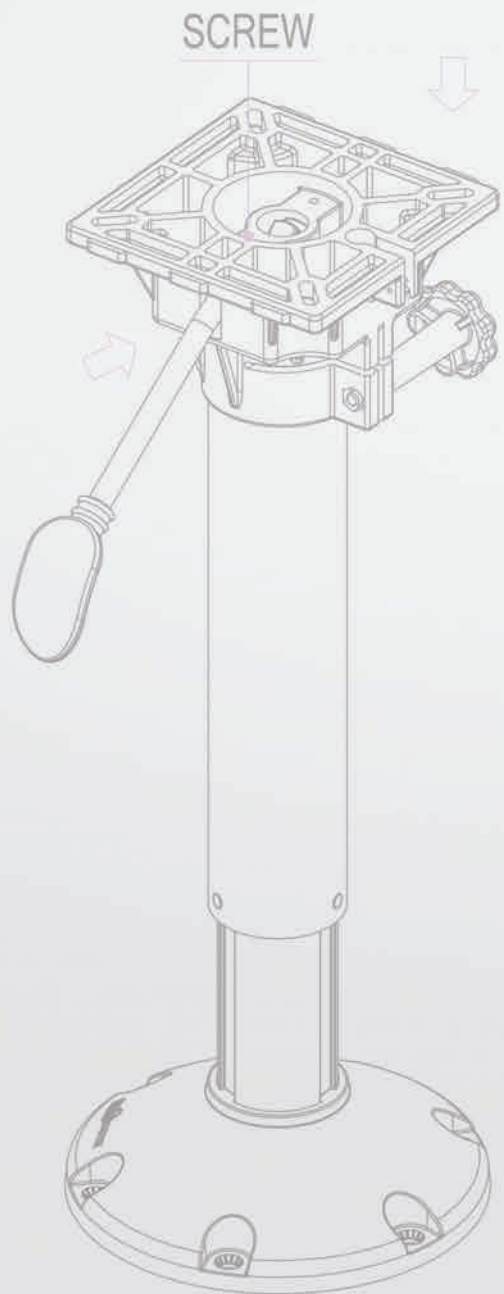
Opening in top allows access to engine grip handle



Fits most portable outboard engines up to 30kg

- Constructed from a premium woven dope dyed polyester fabric with protective soft felt inner lining.
- Breathable & water resistant fabric.
- Adjustable heavy duty carry straps are designed to wrap around motor shaft and cowling for maximum security when carrying.
- Dual size 10# zippers - Allow easy access to motor carry handle.

| SKU | DESCRIPTION |
|--------|--------------------------|
| MA 088 | Outboard motor carry bag |



100137
BACK PLATE

310019
ST6.3X25mm

310026

310019
ST6.3X25mm

31002
FIX S
ONTO

PEDESTALS & SWIVELS

ECONOMY



- Swivel top.
- Top and base diagonal measurement - 7" (177mm).
- Aluminium tube diameter - Ø76mm.
- Suitable for most standard seats.

| SKU | PEDESTAL HEIGHT |
|----------|-----------------|
| MA 769-1 | 7" (178mm) |
| MA 769-2 | 13" (330mm) |

ADJUSTABLE



- Aluminium anodised shaft - Ø75mm / Ø60mm.
- Powder coated aluminum casted base - Ø230mm.
- Reinforced Nylon swivel top.

| SKU | PEDESTAL HEIGHT |
|----------|-----------------|
| MA 773-1 | 365 - 500mm |
| MA 773-2 | 450 - 635mm |

FIXED



- Aluminium anodised shaft - Ø75mm.
- Powder coated aluminum casted base - Ø230mm.
- Reinforced Nylon swivel top.

| SKU | PEDESTAL HEIGHT |
|----------|-----------------|
| MA 772-0 | 183mm |
| MA 772-1 | 330mm |
| MA 772-2 | 450mm |
| MA 772-3 | 610mm |

WAVERIDER



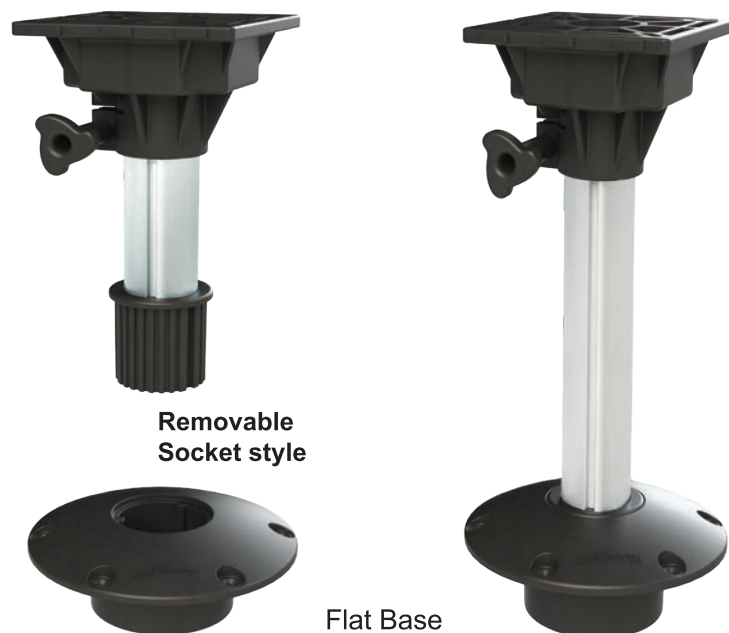
The Waverider pedestal is the ultimate in convenience and comfort. Being gas powered, it allows easy adjustment of the seat height for each individual. Additionally, it acts as a shock absorber to smooth out the ride in rough seas.

- Gas operated.
- Aluminium anodised shaft - Ø75mm / Ø65mm.
- Powder coated aluminum casted base - Ø230mm.
- Reinforced Nylon swivel top.

| SKU | PEDESTAL HEIGHT |
|----------|-----------------|
| MA 774-1 | 340 - 450mm |
| MA 774-2 | 500 - 630mm |
| MA 774-3 | 580 - 710mm |

FLAT BASE

DOME BASE



- Sold as a complete unit.
- Aluminium anodised shaft - Ø60mm.
- Reinforced Nylon swivel top.
- Reinforced Nylon socket base.

- Sold as a complete unit.
- Aluminium anodised shaft - Ø60mm.
- Reinforced Nylon swivel top.
- Reinforced Nylon socket base.

| SKU | PEDESTAL HEIGHT |
|----------|-----------------|
| MA 777-1 | 330mm |
| MA 777-2 | 450mm |
| MA 772-3 | 610mm |
| 21070 | Socket Base |

| SKU | PEDESTAL HEIGHT |
|----------|-----------------|
| MA 779-1 | 390mm |
| MA 779-2 | 510mm |
| MA 779-3 | 670mm |

FLAT BASE WAVERIDER



DOME BASE WAVERIDER



- Sold as a complete unit.
- Gas operated.
- Aluminium anodised shaft - Ø75mm / Ø65 mm.
- Reinforced Nylon swivel top.
- Reinforced Nylon socket base.

| SKU | PEDESTAL HEIGHT |
|----------|-----------------|
| MA 776-1 | 310 - 390mm |
| MA 776-2 | 440 - 570mm |
| MA 776-3 | 520 - 650mm |
| 21070 | Socket Base |

- Sold as a complete unit.
- Gas operated.
- Aluminium anodised shaft - Ø75mm / Ø65 mm.
- Reinforced Nylon swivel top.
- Reinforced Nylon socket base.

| SKU | PEDESTAL HEIGHT |
|----------|-----------------|
| MA 778-1 | 370 - 450mm |
| MA 778-2 | 500 - 630mm |
| MA 778-3 | 580 - 710mm |



MA 765-1



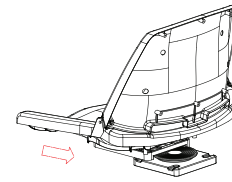
Top & Base.
4 x rubber anchors.
Ø12 drill bit.
Installation instructions.

QUICK CONNECT 360° TITAN SWIVEL IS UNOBTRUSIVE AND OFFERS A TRUE REMOVABLE SEAT OPTION

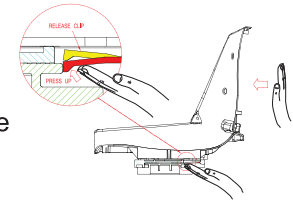
A new alternative to 'metal seat clamps'. The Titan Swivel comprises of two parts: the base which locks onto the bench using rubber anchors and the top which attaches to the seat.

- Swivel and base diagonal measurement - 7" (177mm).
- Moulded with tough self-lubricating polymers.

Seat slides smoothly on to base.



To remove the seat simply push the release clip up and push the back of the seat forward.



MA 765-2

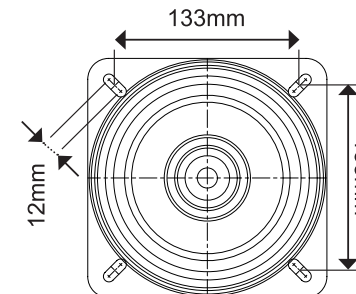
| SKU | DESCRIPTION |
|------------|------------------------------|
| MA 765 - 1 | Titan Swivel (complete kit) |
| MA 765 - 2 | Titan Swivel top & base only |
| MA 765 - 3 | Titan Swivel base only |
| MA 765 - 4 | Titan anchors (set of 4) |

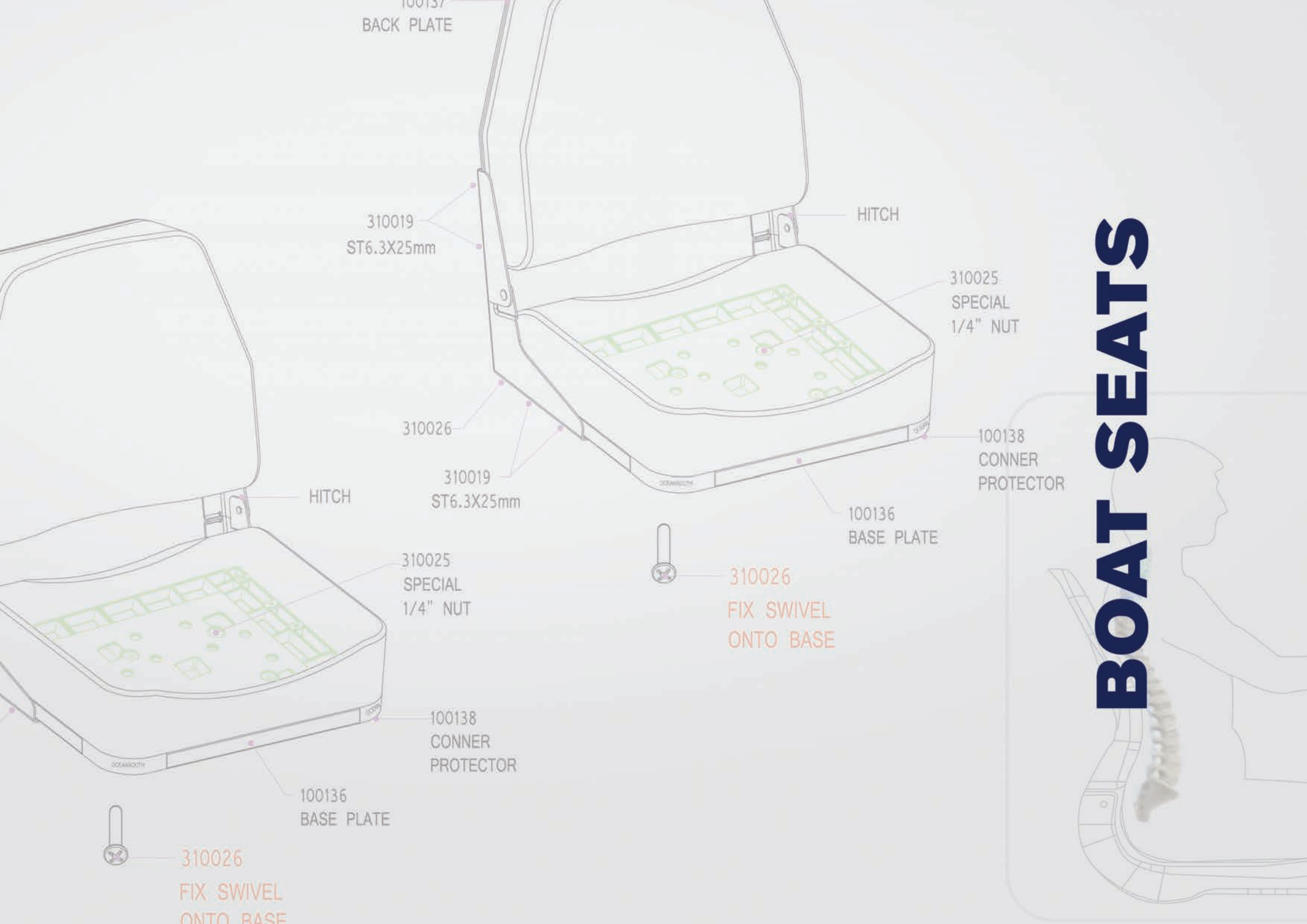
COATED METAL SWIVELS



MA 760

- 7" (177mm) diagonal.
- Suits most standard seats and pedestals.
- Nylon slide runner.
- Black EDC coated steel protects against corrosion.





100137
BACK PLATE

310019
ST6.3X25mm

HITCH

310025
SPECIAL
1/4" NUT

310026

310019
ST6.3X25mm

100138
CONNER
PROTECTOR

HITCH

100136
BASE PLATE



310026
FIX SWIVEL
ONTO BASE

310025
SPECIAL
1/4" NUT

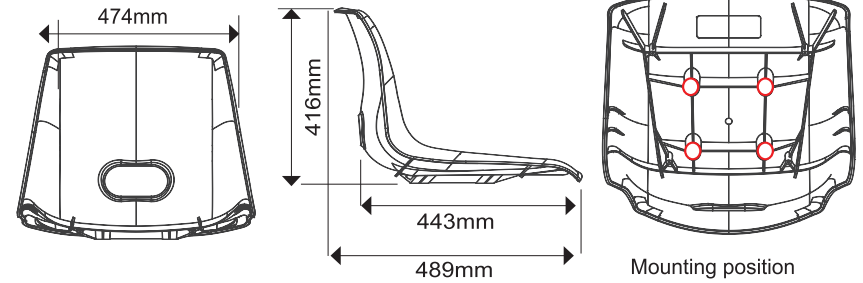
100138
CONNER
PROTECTOR

100136
BASE PLATE



310026
FIX SWIVEL
ONTO BASE

BOAT SEATS



- Classic moulded seat, follows the contours of the body.
- Comfortable and durable.
- Moulded in High - impact UV treated polymer.
- Professionally upholstered.
- UV resistant fabric by OMNOVA.
- Two tone upholstered with back storage pocket.
- Suits standard 7" swivels or Titan Swivel.
- Available in shell only or 3 colour options.

| SKU | DESCRIPTION | COLOUR |
|-------------|---------------------------|---------------|
| MA 701 | C-Seat | Grey |
| MA 701 - 31 | C-Seat – padded – 3 panel | Blue/White |
| MA 701 - 32 | C-Seat – padded – 3 panel | Grey/White |
| MA 701 - 33 | C-Seat – padded – 3 panel | Grey/Charcoal |



Blue/White
MA 702-21



Grey/White
MA 702-22



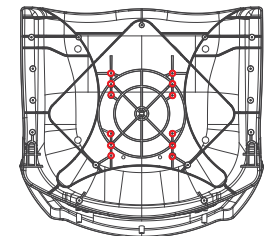
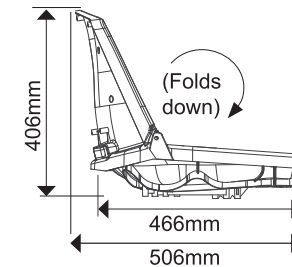
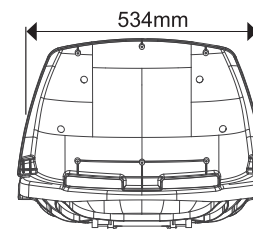
Grey/Charcoal
MA 702-23



Shell
MA 702



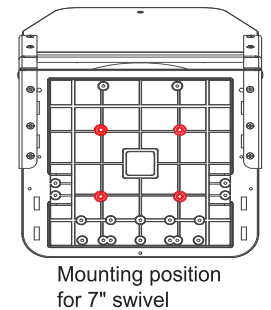
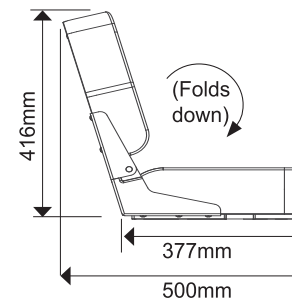
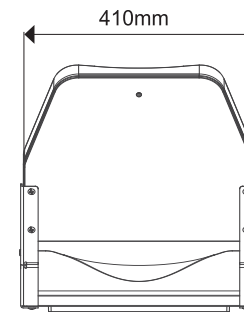
Camouflage
MA 702-15



Multiple mounting points for 7" swivel

- Low back, moulded folding seat, high impact polymer shell.
- UV treated shell resists deterioration/fading.
- UV resistant fabric by OMNOVA.
- Suits standard 7" swivels or Titan Swivel.
- Available in shell only or 4 colour options.

| SKU | DESCRIPTION | COLOUR |
|-------------|---------------------------|---------------|
| MA 702 | Folding, shell | Grey |
| MA 702 - 15 | Folding, padded | Camouflage |
| MA 702 - 21 | Folding, padded – 3 panel | Blue/White |
| MA 702 - 22 | Folding, padded – 3 panel | Grey/White |
| MA 702 - 23 | Folding, padded – 3 panel | Grey/Charcoal |



- Comfortable thick moulded foam cushions.
- UV resistant fabric by OMNOVA.
- Large aluminium powder coated hinges.
- Suits standard 7" swivels or Titan Swivel.
- Heavy duty moulded plastic inner frame.

| SKU | DESCRIPTION | COLOUR |
|-------------|-----------------------|---------------|
| MA 704 - 10 | Deluxe – folding seat | White |
| MA 704 - 11 | Deluxe – folding seat | Grey |
| MA 704 - 31 | Deluxe – folding seat | Blue/White |
| MA 704 - 32 | Deluxe – folding seat | Grey/White |
| MA 704 - 33 | Deluxe – folding seat | Charcoal/Grey |



White
MA 706-10



White/Grey
MA 706-12



Blue/White
MA 706-31



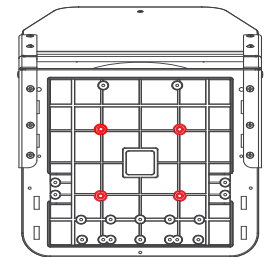
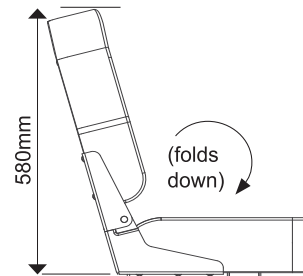
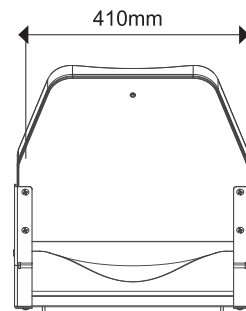
Grey/White
MA 706-32



Charcoal/Grey
MA 706-35



Grey/Blue
MA 706-36



Mounting position for 7" swivel

- Comfortable thick moulded foam cushions.
- UV resistant fabric by OMNOVA.
- Large aluminium powder coated hinges.
- Suits standard 7" swivels or Titan Swivel.
- Heavy duty moulded plastic inner frame.

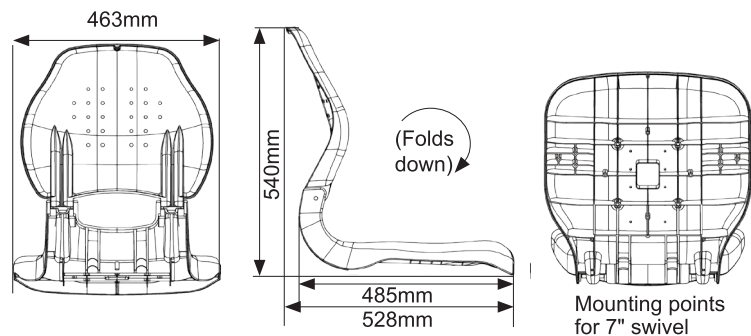
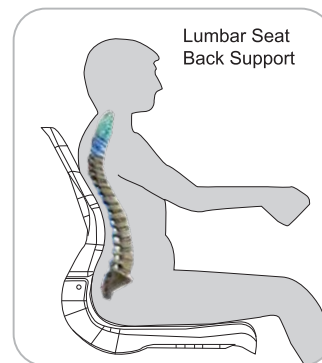
| SKU | DESCRIPTION | COLOUR |
|-------------|--------------------------|---------------|
| MA 706 - 10 | High Back - Folding Seat | White |
| MA 706 - 12 | High Back - Folding Seat | White/Grey |
| MA 706 - 31 | High Back - Folding Seat | Blue/White |
| MA 706 - 32 | High Back - Folding Seat | Grey/White |
| MA 706 - 35 | High Back - Folding Seat | Charcoal/Grey |
| MA 706 - 36 | High Back - Folding Seat | Grey/Blue |

SIROCCO FOLDING SEATS

Oceansouth introduces the only ergonomically designed folding boat seat in the market, designed to bring a new level of style and comfort.

The generously cushioned wider seat and contoured back team together to provide truly comfortable seating.

- Ergonomically moulded seat frame.
- UV resistant fabric by OMNOVA.
- Contoured dense foam core.
- Positive lock Fold down back.
- Top stitched paneled design.
- Suits standard 7" swivels or Titan Swivel.



| SKU | DESCRIPTION | COLOUR |
|------------|------------------------|---------------|
| MA 705 -10 | Sirocco - Folding Seat | White |
| MA 705 -11 | Sirocco - Folding Seat | Grey |
| MA 705 -31 | Sirocco - Folding Seat | Blue/White |
| MA 705 -32 | Sirocco - Folding Seat | Grey/White |
| MA 705 -33 | Sirocco - Folding Seat | Grey/Charcoal |
| MA 705 -35 | Sirocco - Folding Seat | Charcoal/Grey |
| MA 705 -36 | Sirocco - Folding Seat | Grey/Blue |

SIROCCO FOLDING SEATS



White
MA 705-10



Grey
MA 705-11



Blue/White
MA 705-31



Grey/White
MA 705-32



Grey/Charcoal
MA 705-33



Charcoal/Grey
MA 705-35



Grey/Blue
MA 705-36

SMALL COVER - FOLDING SEAT



Small
MA 780-1

LARGE COVER

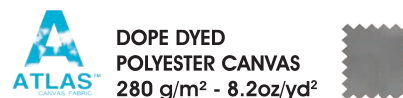


Large
MA 780-2

Easy to fit and an effective solution to protecting your seats from weathering and deterioration. Surround shock cord in hem for a tight fit around bench or pedestal mounted seats.

Large Cover (MA 780-2) suits: Helm, bucket and fixed back seat.

Small Cover (MA 780-1) suits: Small folding or pedestal seats. Fold away design, covers seat when folded down, secured in place with woven strap (supplied).



| SKU | DESCRIPTION | SIZE |
|------------|-------------|-----------------------------|
| MA 780 - 1 | Small Cover | L 460mm x W 510mm x H 480mm |
| MA 780 - 2 | Large Cover | L 600mm x W 560mm x H 670mm |



BOAT CUSHIONS



| SKU | LENGTH | WIDTH | COLOUR |
|-------------|--------|-------|--------------|
| MA 720 - 1 | 450mm | 300mm | Grey or Blue |
| MA 720 - 3 | 450mm | 370mm | Grey or Blue |
| MA 720 - 10 | 450mm | 420mm | Grey or Blue |

***COLOUR SKU REQUIRED WHEN ORDERING**



Oceansouth Hinged type Boat cushions are constructed from Atlas Marine grade fabrics suitable for the rigours of salt water and high exposure to the sun and UV rays. Resilient thick foam for ultimate comfort .

- Removable when not in use, Marine grade (Male / female studs)
- Dense 2-1/2" (65mm) thick foam.
- Solution dyed Atlas marine fabrics 310 gsm
- Heavy duty PVC Mesh Backing (allows water to drain)
- UVR 92 Bonded Polyester
- Marine grade #5 Derlin zippers
- UV & weather resistant
- Colour fastness to light grade 6-7

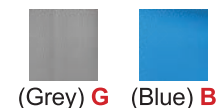
| SKU | LENGTH | WIDTH | COLOUR |
|-------------|--------|-------|--------------|
| MA 720 - 2 | 1200mm | 300mm | Grey or Blue |
| MA 720 - 4 | 1200mm | 370mm | Grey or Blue |
| MA 720 - 5 | 1300mm | 370mm | Grey or Blue |
| MA 720 - 6 | 1400mm | 370mm | Grey or Blue |
| MA 720 - 7 | 1500mm | 370mm | Grey or Blue |
| MA 720 - 8 | 1600mm | 370mm | Grey or Blue |
| MA 720 - 11 | 1600mm | 420mm | Grey or Blue |
| MA 720 - 12 | 1700mm | 420mm | Grey or Blue |
| MA 720 - 9 | 1800mm | 370mm | Grey or Blue |
| MA 720 - 13 | 1800mm | 420mm | Grey or Blue |

***COLOUR SKU REQUIRED WHEN ORDERING**

BOAT BENCH CUSHIONS



- Press stud fittings.
- Removable when not in use.
- Dense 50mm thick foam.
- UV resistant fabric by OMNOVA.



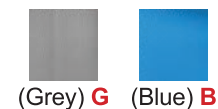
| SKU | LENGTH | WIDTH | COLOUR |
|----------|--------|-------|--------------|
| MA 700-1 | 600mm | 300mm | Grey or Blue |
| MA 700-2 | 600mm | 400mm | Grey or Blue |
| MA 700-3 | 1200mm | 300mm | Grey or Blue |
| MA 700-4 | 1200mm | 400mm | Grey or Blue |
| MA 700-5 | 1500mm | 400mm | Grey or Blue |

***COLOUR SKU REQUIRED WHEN ORDERING**

BOAT BENCH CUSHIONS -WITH POCKETS

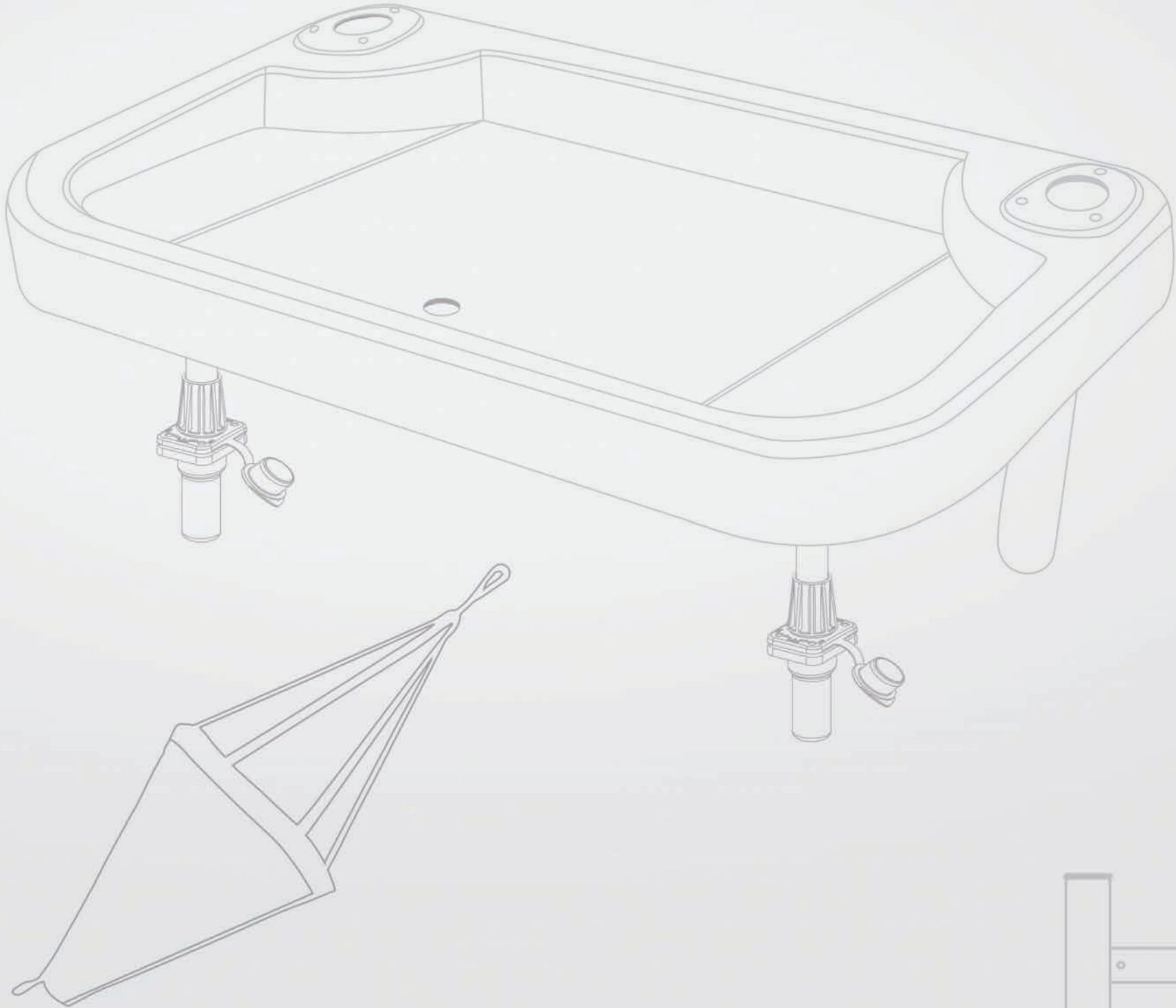


- Safe storage pockets for keys/phone
- Can/Bottle holder
- Press stud fittings & Dense 50mm thick foam.
- Removable when not in use.
- UV resistant fabric by OMNOVA.



| SKU | LENGTH | WIDTH | COLOUR |
|----------|--------|-------|--------------|
| MA 710-1 | 600mm | 300mm | Grey or Blue |
| MA 710-2 | 600mm | 400mm | Grey or Blue |
| MA 710-3 | 1200mm | 300mm | Grey or Blue |
| MA 710-4 | 1200mm | 400mm | Grey or Blue |
| MA 710-5 | 1500mm | 400mm | Grey or Blue |

***COLOUR SKU REQUIRED WHEN ORDERING**



FISHING GEAR



- Size 700mm x 420mm.
- Mounts are adjustable to suit various mounting widths.
- Extremely strong polypropylene, tough against cuts and UV deterioration.
- Two mounting legs for greater stability.
- Drain hole.

| SKU | DESCRIPTION |
|----------|---|
| MA 105-1 | Large Bait Board - Rod Holder Mount |
| MA 105-2 | Large Bait Board - Rail Mount (Suits Ø25mm Rails) |
| MA 105-3 | Large Bait Board - Lock Fast Holder Mount |
| MA 102-1 | Single Rod Holder - Pair |
| MA 102-2 | Dual Rod Holder - Pair |



MA 109 - 1



MA 109 - 2



MA 109 - 4

OPTIONAL COMPONENTS

21060-3*
LOCK-FAST HOLDERS
 For Ø32 mm Tube



* Denotes Product SKU

- Size 850mm x 460mm.
- Mounting width 570mm.
- Extremely strong polypropylene, tough against cuts and UV deterioration.
- Two mounting legs with 'Lock Fast' fitting for superior stability.
- Drain Hole, Sink & Rod Holders.

| SKU | DESCRIPTION |
|-----------------|---|
| MA 109-1 | Extra Large Bait Board - Lock Fast Gunnel Mount |
| MA 109-2 | Extra Large Bait Board - Rail Mount (Suits Ø25mm Rails) |
| MA 109-4 | Extra Large Bait Board - Stainless Steel Handle & Rod Holders |

SMALL BAIT BOARD



Rod Holder Mount
MA 104-1

Rail Mount
MA 104-2

Lock Fast Holder Mount
MA 104-3

Oceansouth Bait Boards are reinforced with a unique rib core to provide a rigid and stable surface. Easily removed for cleaning and storage.

- Size 460mm x 375mm
- Rod and rail mount feature adjustable thumbscrew ratchet which allows table to be fastened at the desired angle.
- Extremely strong polypropylene, tough against cuts and UV deterioration. Drain hole.

| SKU | DESCRIPTION |
|----------|---|
| MA 104-1 | Small Bait Board - Rod Holder Mount |
| MA 104-2 | Small Bait Board - Rail Mount (Suits Ø25mm Rails) |
| MA 104-3 | Small Bait Board - Lock Fast Holder Mount |

GUNWALE STORAGE BIN

- Storage Solution for Aluminium Boats

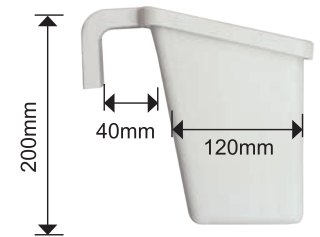


Storage bin
MA 106-1

Storage bin with drink holder
MA 106-2

Storage bin with integrated bait board
MA 106-3

- Hangs over gunwale,
- Ideal to store small items, bait or tackle.
- Includes holder for cup or can.
- Will fit 40mm wide gunwale.



| SKU | DESCRIPTION |
|----------|--|
| MA 106-1 | Bait & Storage Bin |
| MA 106-2 | Bait & Storage Bin - Drink Holder |
| MA 106-3 | Bait & Storage Bin - Integrated Bait Board |

ROD RACKS - Stainless Steel

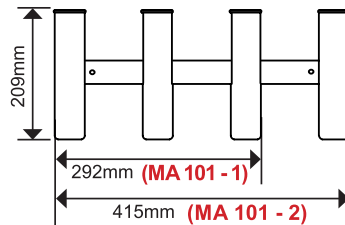


MA 101-1

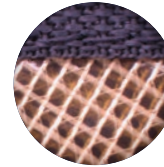


MA 101-2

- Mirror finish 316 stainless steel.
- Solid construction - no moving parts.
- Rounded top and bottom edges.
- Racks can be teamed together to multiply rod storage.
- Convenient side storage of rods.
- External rod holder diameter 42mm.
- Gimble pin rod stop.
- Internal polymer sleeve protects rod handles.

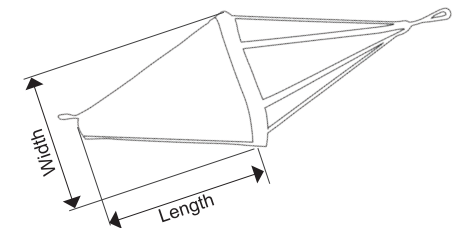


SEA ANCHOR DROGUE



Ideal for fishing, our Sea Anchor Drogue is constructed with tough PVC rip-stop fabric, reinforced nylon straps, and continuous webbing for added strength

- Tough PVC rip-stop fabric.
- Opening reinforced with 50mm webbing.
- Reinforced construction woven polyester straps.
- Continuous webbing for added strength.
- Slows boat rate of drift.
- Ideal for fishing.



| SKU | WIDTH | LENGTH | SUITS BOAT LENGTH |
|-------|--------|--------|-------------------|
| 10071 | 600mm | 530mm | 15ft |
| 10072 | 800mm | 700mm | 20ft |
| 10073 | 1070mm | 1100mm | 25ft |
| 10074 | 1350mm | 1400mm | 30ft |

| SKU | DESCRIPTION |
|----------|---------------|
| MA 101-1 | Rod Rack of 3 |
| MA 101-2 | Rod Rack of 4 |

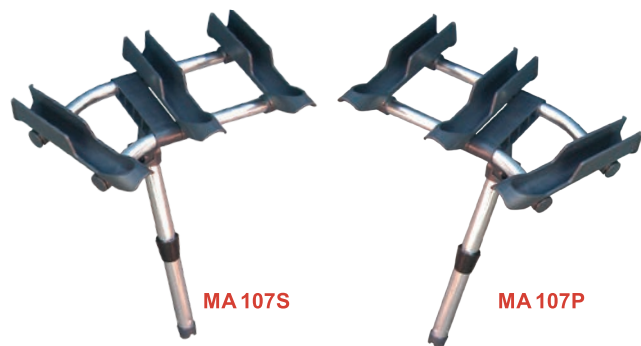
QUICK LIFT ROD HOLDERS



- Tapered spacer for secure fit into 30° rod holder mount.
- Adjustable thumbscrew ratchet allows rod holders to be set at desired angle.
- Holders made from tough glass filled polymer.



| SKU | DESCRIPTION |
|------------|--|
| MA 108 - 1 | 2 in 1 Rod holder mount |
| MA 108 - 2 | 2 in 1 Rail mount to suit 25mm railing |



- Tapered spacer for secure fit into 30° rod holder mount.
- Adjustable thumbscrew ratchet allows rod holders to be set at desired angle.
- Holders made from tough glass filled polymer.



| SKU | DESCRIPTION |
|---------|------------------------|
| MA 107S | 3 in 1 Starboard mount |
| MA 107P | 3 in 1 Port mount |

ROD HOLDERS - 90° & 30°



Rectangle 90°

- Robust narrow head rod holders, UV stabilized polypropylene.
- Flush mount with bevelled edge, 90 degree angled shaft.
- Moulded rod gimbal in the shaft base.
- Slim line head is ideal for narrow gunwales.

| SKU | HEAD SIZE | SHAFT I.D | LENGTH | COLOUR |
|-------|-------------|-----------|--------|--------|
| 21170 | 87mm x 58mm | 43mm | 230mm | Black |
| 21171 | 87mm x 58mm | 43mm | 230mm | White |



Rectangle 30°

- Robust narrow head rod holders, UV stabilized polypropylene.
- Flush mount with bevelled edge, 30 degree angled shaft .
- Moulded rod gimbal in the shaft base.
- Slim line head is ideal for narrow gunwales.

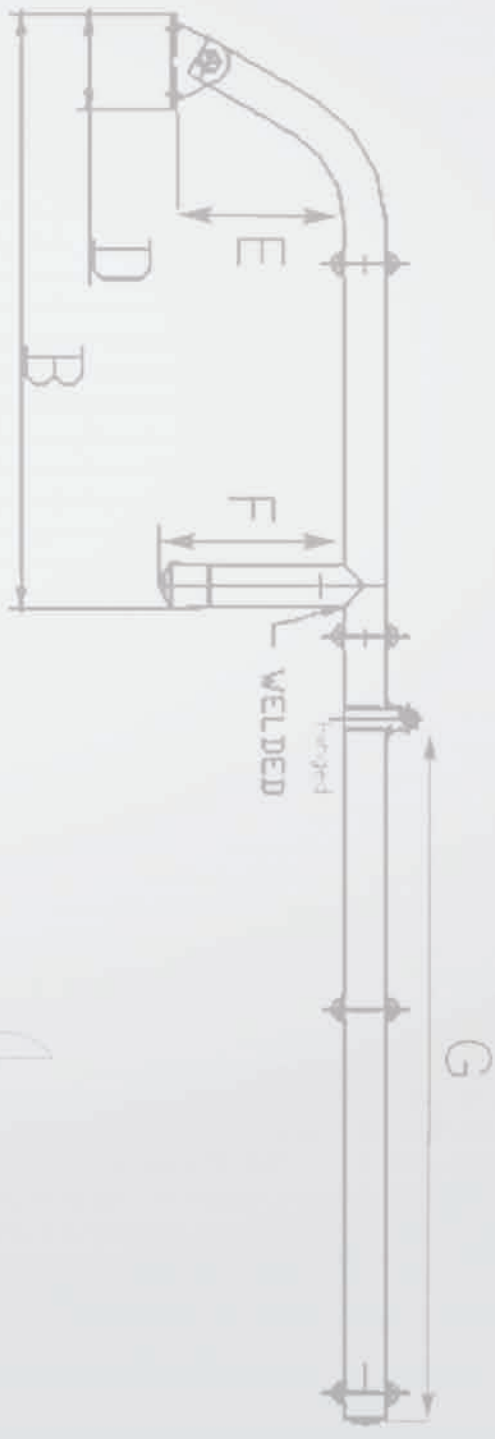
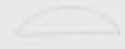
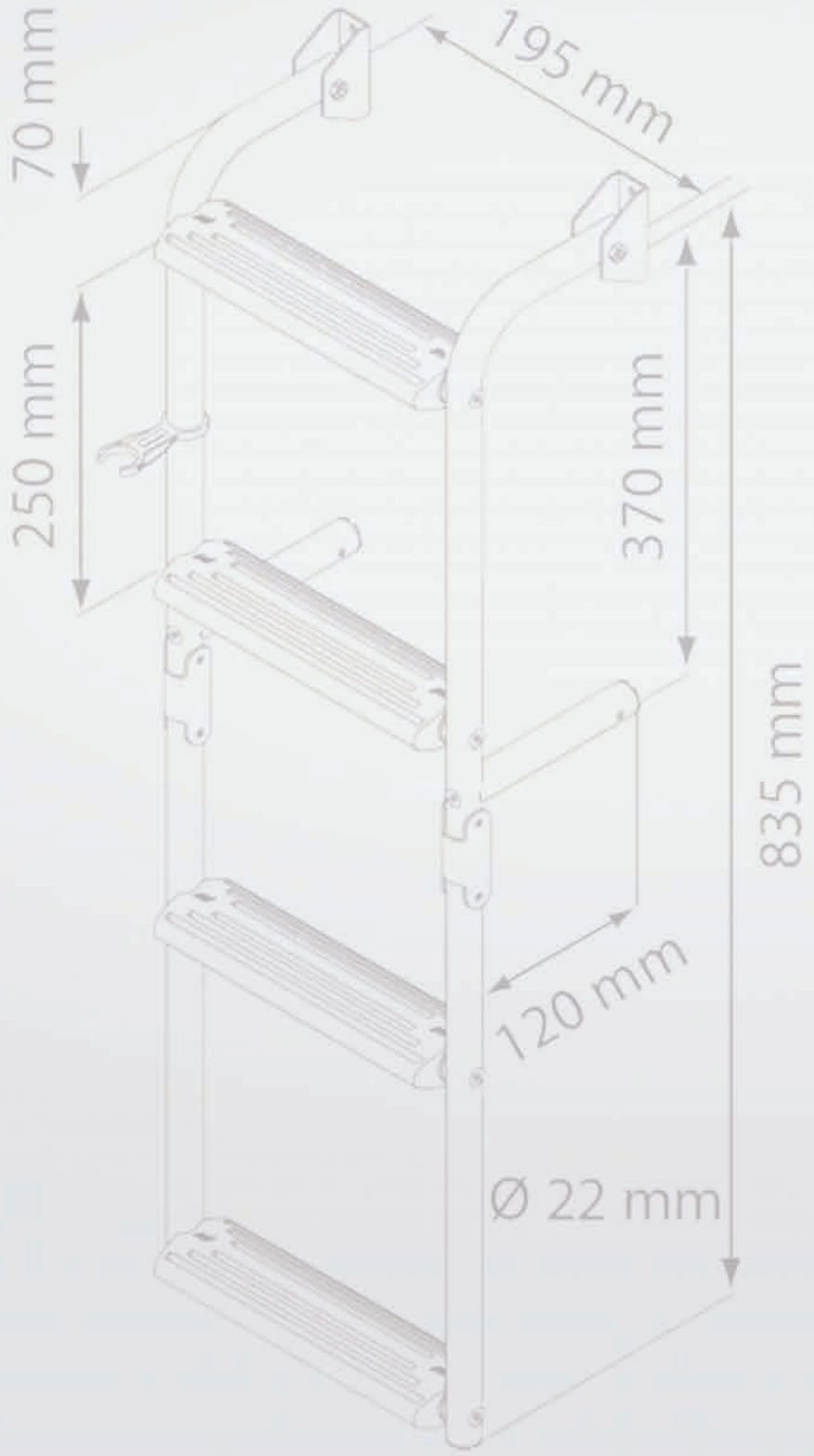
| SKU | HEAD SIZE | SHAFT I.D | LENGTH | COLOUR |
|-------|-------------|-----------|--------|--------|
| 21172 | 87mm x 63mm | 43mm | 240mm | Black |
| 21173 | 87mm x 63mm | 43mm | 240mm | White |



Oval 30°

- Robust UV stabilized polypropylene rod holder with a large Oval shaped head.
- Flush mount with bevelled edge, 30 degree angled shaft.
- Moulded rod gimbal in the shaft base.

| SKU | HEAD SIZE | SHAFT I.D | LENGTH | COLOUR |
|-------|--------------|-----------|--------|--------|
| 21174 | 115mm x 90mm | 43mm | 240mm | Black |
| 21175 | 115mm x 90mm | 43mm | 240mm | White |

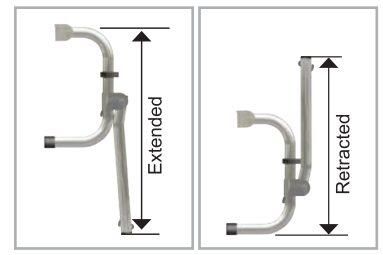


BOARDING LADDERS & HANDRAILS

SHORT BASE - 316 STAINLESS STEEL



- Step spacings 260mm.
- Ladder width 290mm.
- 316 grade stainless steel fasteners and tube.
- High polish Ø25mm stainless steel.

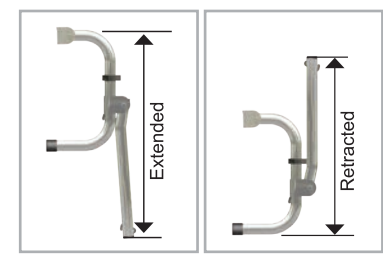


| SKU | STEPS | LENGTH EXTENDED | LENGTH RETRACTED |
|--------|-------|-----------------|------------------|
| MA 031 | 2 | 485mm | 420mm |
| MA 032 | 3 | 745mm | 670mm |

LONG BASE - 316 STAINLESS STEEL



- Step spacings 260mm.
- Ladder width 290mm.
- 316 grade stainless steel fasteners and tube.
- High polish Ø25mm stainless steel.

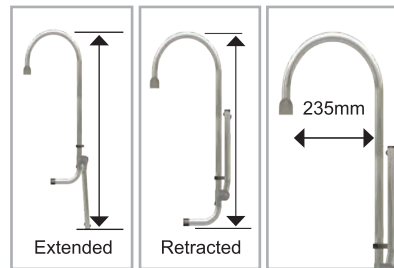


| SKU | STEPS | LENGTH EXTENDED | LENGTH RETRACTED |
|--------|-------|-----------------|------------------|
| MA 033 | 3 | 645mm | 470mm |
| MA 034 | 4 | 895mm | 670mm |
| MA 035 | 5 | 1150mm | 685mm |

GUNWALE - 316 STAINLESS STEEL



- Step spacings 260mm.
- Ladder width 290mm.
- 316 grade stainless steel fasteners and tube.
- High polish Ø25mm stainless steel.

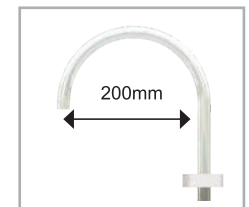


| SKU | STEPS | LENGTH EXTENDED | LENGTH RETRACTED |
|--------|-------|-----------------|------------------|
| MA 036 | 3 | 920mm | 710mm |
| MA 037 | 4 | 1180mm | 710mm |

FOLD AWAY - ALUMINIUM



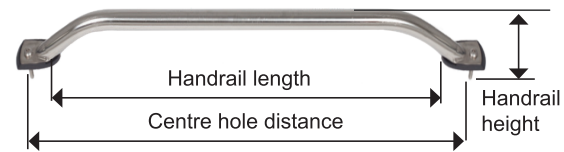
- Heavy duty anodised aluminium Ø25mm tubing.
- Rubber - coated gunwale hooks with cushioned tips.
- Hooks and fend off feet fold flat for compact storage.
- Tough white moulded non-slip step.
- Reinforced plastic fend off feet.



| SKU | STEPS | LENGTH | WIDTH |
|--------|-------|--------|-------|
| MA 011 | 3 | 850mm | 355mm |
| MA 012 | 4 | 1100mm | 355mm |

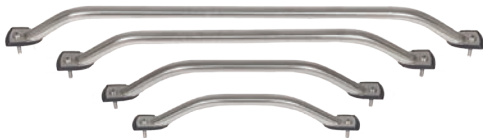


- Stainless Steel tube.
- Marine grade nylon base.
- Mounting hardware included.



Ø19mm HANDRAILS

HEIGHT - 67mm



| SKU | CENTRE HOLE DISTANCE | HANDRAIL LENGTH |
|-----------|----------------------|-----------------|
| MA 019-09 | 305mm | 229mm |
| MA 019-12 | 383mm | 305mm |
| MA 019-18 | 532mm | 457mm |
| MA 019-24 | 684mm | 610mm |

Ø22mm HANDRAILS

HEIGHT - 67mm



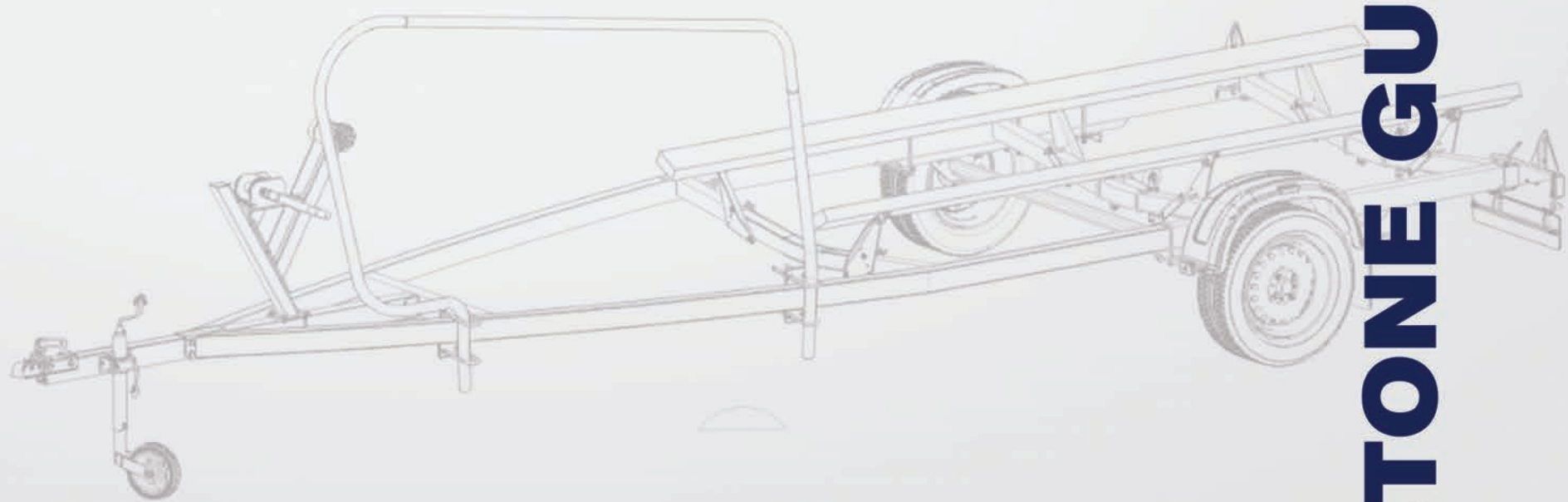
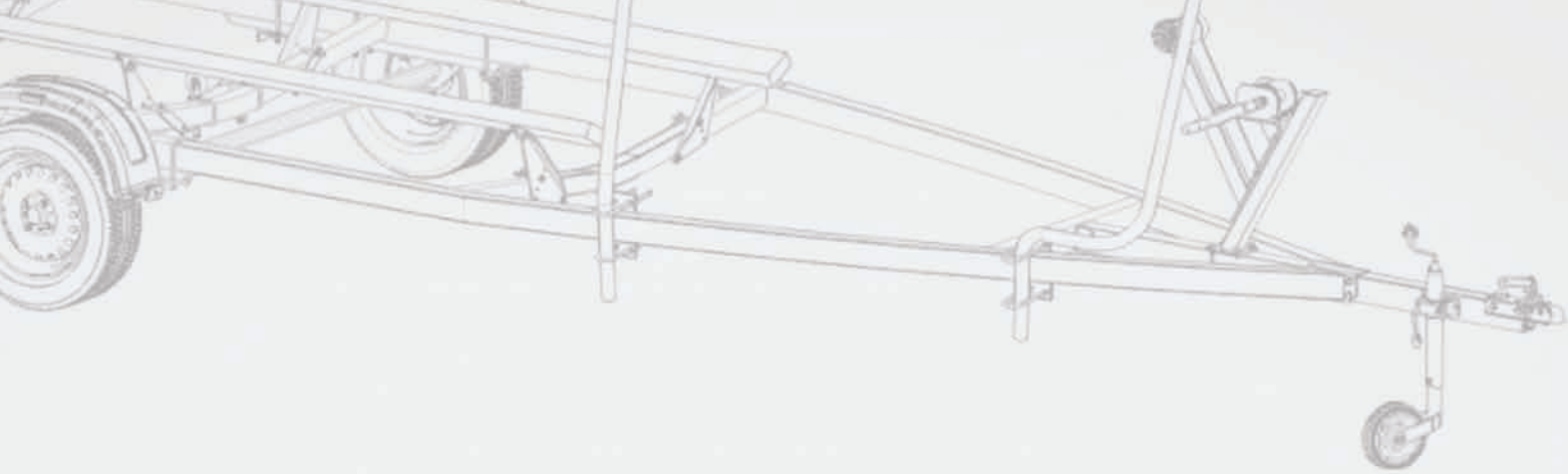
| SKU | CENTRE HOLE DISTANCE | HANDRAIL LENGTH |
|-----------|----------------------|-----------------|
| MA 022-09 | 305mm | 229mm |
| MA 022-12 | 383mm | 305mm |
| MA 022-18 | 532mm | 457mm |
| MA 022-24 | 684mm | 610mm |

Ø25mm HANDRAILS

HEIGHT - 70mm



| SKU | CENTRE HOLE DISTANCE | HANDRAIL LENGTH |
|-----------|----------------------|-----------------|
| MA 025-09 | 325mm | 229mm |
| MA 025-12 | 383mm | 305mm |
| MA 025-18 | 532mm | 457mm |
| MA 025-24 | 684mm | 610mm |
| MA 025-30 | 809mm | 762mm |



STONE GUARDS

NEW STONE GUARDS

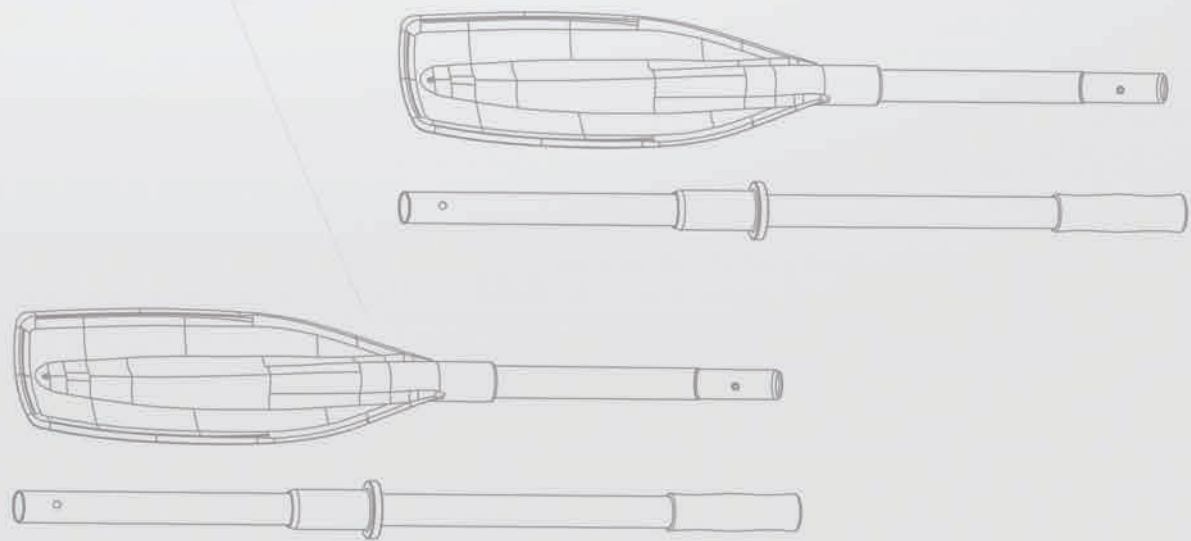
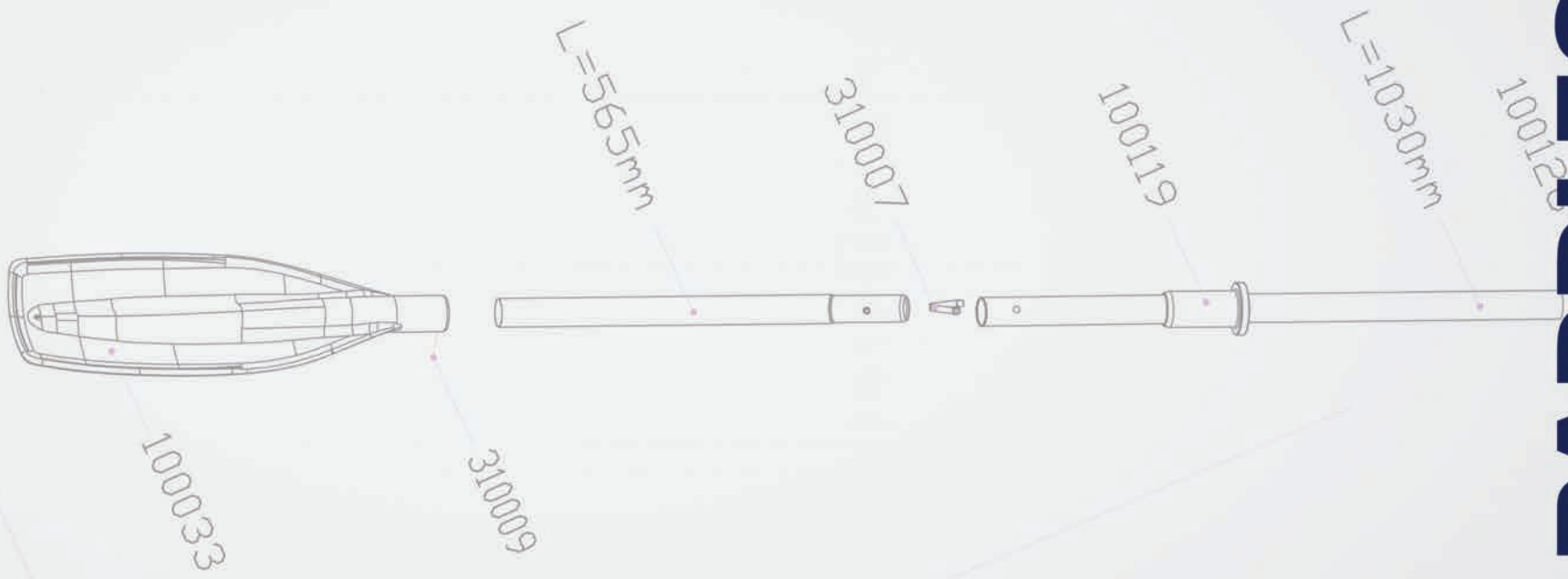
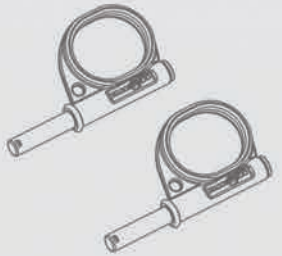
Provides excellent protection when trailering against flying road debris and stones hitting the hull that can cause chips and damage to the hull.

Essential when towing on the highway or "off road" trips to keep the hull in pristine condition .

- Heavy Duty PVC Mesh with surround
- 10# Zipper allows easy access to the hull while on the trailer
- Adjustable ø25mm Stainless Steel Framework will fit majority of popular trailers
- Secured with 8 U Bolts
- Quality Webbing Straps
- Quick hose down, is all that's necessary to be ready for the next road trip .



| SKU | WIDTH | HEIGHT |
|-----------|--------|--------|
| MA 300A-1 | 1520mm | 900mm |
| MA 300A-2 | 1870mm | 1000mm |



HOOKS, PADDLES & OARS

Fixed Hard anodised Ø25mm alloy shaft.

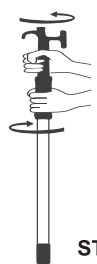


- Rubber hand grips.
- High strength polypropylene hook.
- 'Fend-off' flat top design.
- Double sided hook.

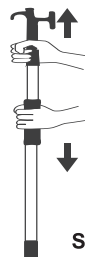
Telescopic Hard anodised Ø30mm alloy shaft & Non slip locking mechanism.



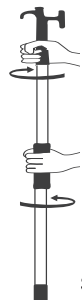
Extending the Telescopic Boat Hook



STEP1 -Twist



STEP2 -Lift

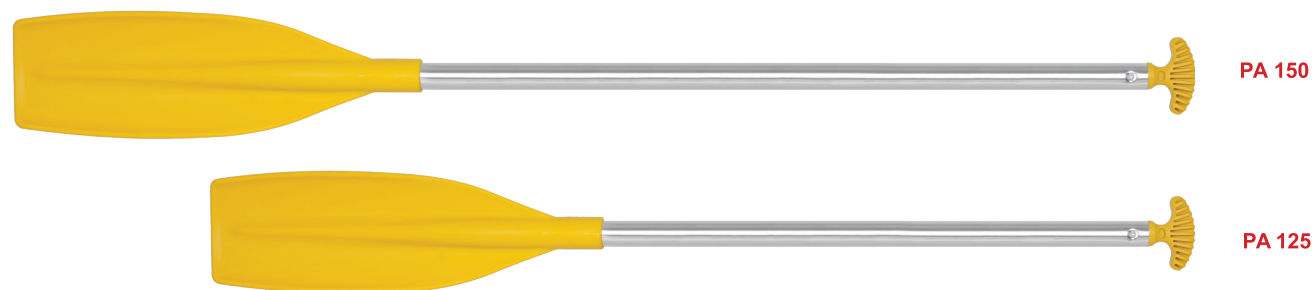


STEP3 -Lock

| SKU | DESCRIPTION | LENGTH |
|--------|----------------------------|-------------|
| MA 001 | Boat hook head | NA |
| MA 002 | Boat hook fixed | 1450mm |
| MA 003 | Boat hook fixed | 1800mm |
| MA 004 | Boat hook telescopic | 1180-2040mm |
| MA 005 | Boat hook telescopic small | 600-1050mm |

PADDLES

- Anodised alloy shaft Ø35mm.
- Polypropylene blade.



| SKU | LENGTH |
|--------|--------|
| PA 125 | 1200mm |
| PA 150 | 1500mm |

STANDARD PADDLE - *With T-Handle*



- Anodised alloy shaft Ø25mm.
- Polypropylene blade.

| SKU | LENGTH |
|--------|--------|
| PA 121 | 1200mm |

TELESCOPIC PADDLES



Collapsed



Extended

PA 110

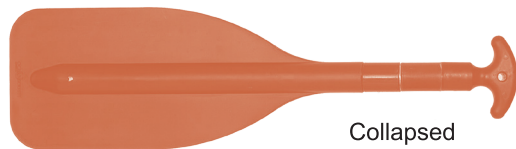


Collapsed



Extended

PA 111



Collapsed



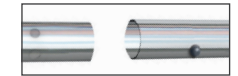
Extended

PA 112

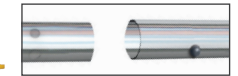
- Easy twist telescopic locking system
- Hard anodised alloy shaft.
- Polypropylene blade.

| SKU | LENGTH |
|--------|----------------------------------|
| PA 110 | 600mm - 1200mm (3 part extended) |
| PA 111 | 750mm - 1200mm (2 part extended) |
| PA 112 | 750mm - 1200mm (2 part extended) |

KAYAK PADDLE - Split Shaft



2 position Split Shaft
60° Right / Left / Centre



3 position Split Shaft
60° Right / Left / Centre

- Anodised alloy shaft Ø25mm.
- Drip rings.

| SKU | COLOUR | LENGTH |
|--------|--------|--------|
| PA 170 | Yellow | 1800mm |
| PA 175 | Yellow | 2170mm |

ASYMMETRIC KAYAK PADDLE



Yellow

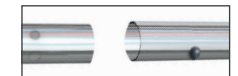
Blue

White

Black



Split Shaft



3 position Split Shaft
60° Right / Left / Centre

| SKU | COLOUR | LENGTH |
|----------|--------|--------|
| PA 185Y | Yellow | 2170mm |
| PA 185W | White | 2170mm |
| PA 185B | Blue | 2170mm |
| PA 185BK | Black | 2170mm |



Fixed

- Glass fibre reinforced polypropylene blades.
- Drip rings, sealed blades & shaft.
- Hard anodised aluminium shaft Ø29mm.
- Grip indicators.
- Asymmetric slightly spooned blades with 40° offset.

| SKU | COLOUR | LENGTH |
|----------|--------|--------|
| PA 285Y | Yellow | 2170mm |
| PA 285W | White | 2170mm |
| PA 285B | Blue | 2170mm |
| PA 285BK | Black | 2170mm |

ALUMINIUM OARS - 2 PIECE



Split Shaft

| OPTIONAL COMPONENTS | | | |
|--|---|---|--|
| <p>31003* OARLOCK (PAIR)</p> <p>Suitable for Oars up to Ø44mm Shank Ø12mm</p>  | <p>31002* OARLOCK BASE</p> <p>Top mount Oarlock Base Nylon</p>  | <p>31001* OARLOCK WITH THUMB SCREW</p> <p>Oarlock with thumb screw Nylon</p>  | <p>OARLOCK</p> <p>12mm (1/4")</p>  |

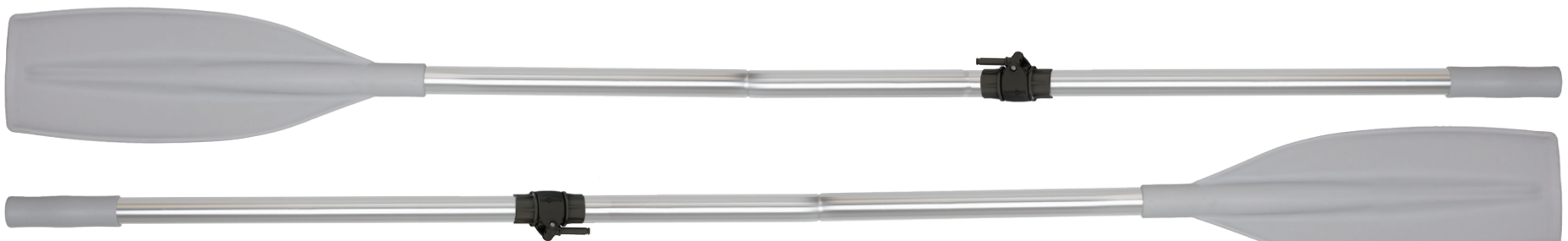
* Denotes Product SKU

- Two piece design for convenient storage.
- Ø35mm x 1.2mm aluminium tube.
- Anodised shafts & UV polypropylene blades.
- Grip handle & Oar stops.
- Supplied in pairs.

Our 2-piece aluminium oars allow for convenient, simple storage, without sacrificing durability.

| SKU | DESCRIPTION |
|--------|--|
| PA 300 | Oars Aluminium 2 piece with stop 1.80m |

ALUMINIUM OARS WITH OAR LOCKS - 2 PIECE



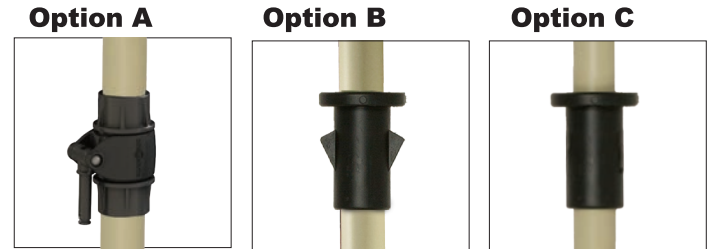
Split Shaft

- Boat Oars Ø35mm Hard Anodised Aluminium tube.
- Blade width x length 165mm x 539mm
- Engineer Grade Glass Filled Polypropylene Blades.
- UV Protected Polypropylene Grip handles and Oar stops.
- Engineer Grade Nylon Oar locks with Stainless Steel shaft pin.
- Two piece design for convenient storage.
- Supplied in pairs with oar locks.

| SKU | DESCRIPTION |
|--------|---|
| PA 310 | Oars Aluminium 2 piece with Oar Locks & Stops |



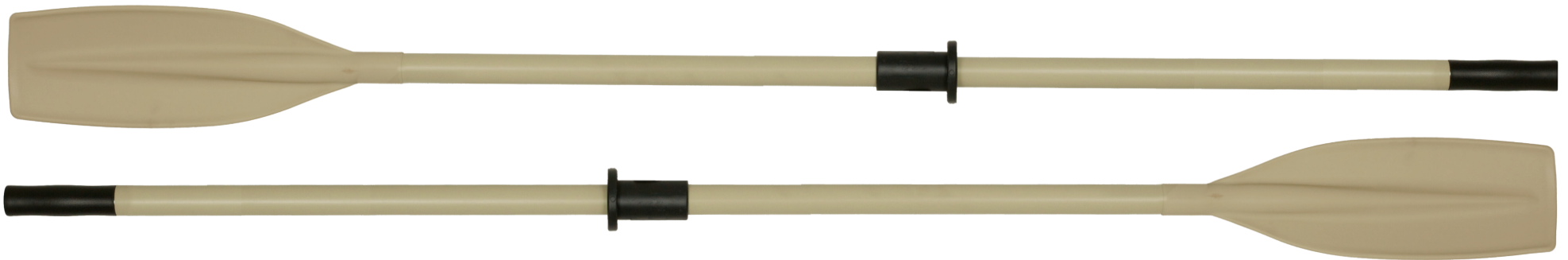
Heavy Duty Blade



Oar Lock
- 12mm (1/4")

Oar Stopper
Only Available
in Australia

Oar Stopper



- Sold as a pair
- Rubberised hand grips and oar stops.
- Robust and durable Ø41mm aluminium powder coated shaft.
- Heavy duty UV polypropylene scull blades.

| SKU | LENGTH |
|----------|--------|
| PA 400-1 | 1.52m |
| PA 400-2 | 1.65m |
| PA 400-3 | 1.80m |
| PA 400-4 | 1.95m |
| PA 400-5 | 2.10m |
| PA 400-6 | 2.25m |

Split Shaft



Our 2-piece aluminium oars allow for convenient, simple storage, without sacrificing durability.

Option A



Oar Lock
- 12mm (1/4")

Option B



Oar Stopper
Only Available in Australia

Option C



Oar Stopper

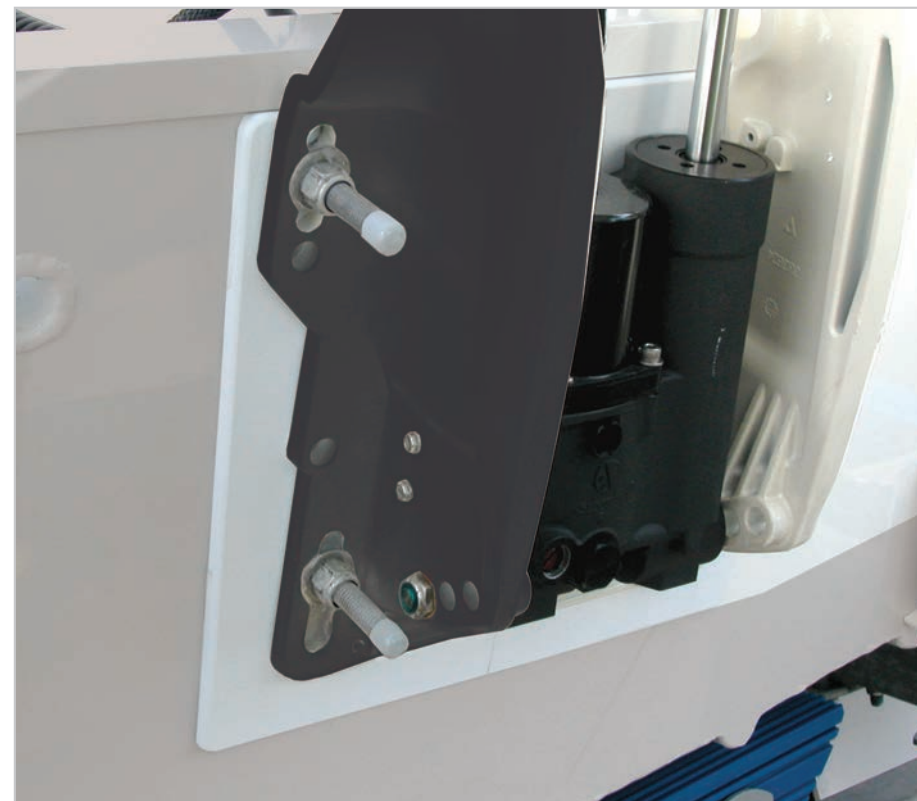
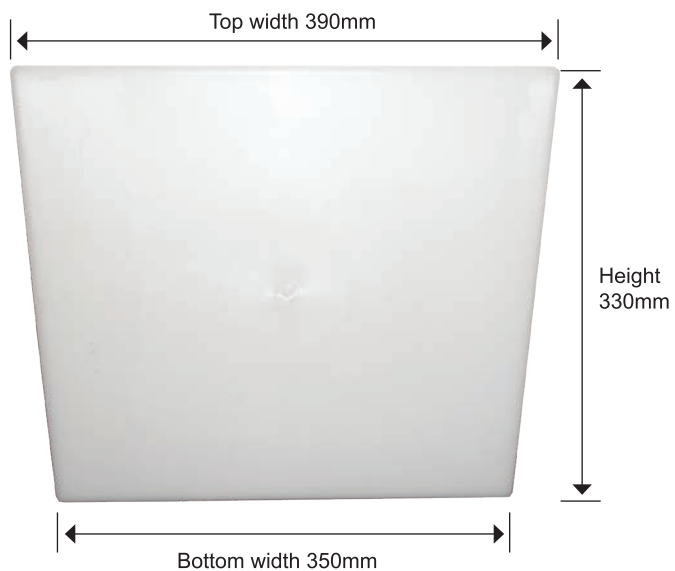


- Two piece design for convenient storage
- Sold as a pair
- Rubberised hand grips and oar stops.
- Robust and durable
- Ø41mm aluminium powder coated shaft.
- Heavy duty UV polypropylene scull blades.

| SKU | LENGTH |
|----------|--------|
| PA 410-1 | 1.85m |
| PA 410-2 | 2.00m |
| PA 410-3 | 2.15m |
| PA 410-4 | 2.30m |
| PA 410-5 | 2.45m |
| PA 410-6 | 2.60m |
| PA 410-7 | 2.75m |

Our Outboard Backing Plates are made from solid, UV resistant polypropylene and are available in both 8mm and 15mm thickness.

- Solid UV resistant polypropylene backing plates for outboard motor mounting.
- Smooth rounded outer edge and tapered shape for a clean professional finish.
- Available in two thickness: 8mm & 15mm.



| SKU | LENGTH |
|--------|-------------------------------|
| 100133 | Outboard backing plate - 8mm |
| 100134 | Outboard backing plate - 15mm |

LARGE SIGNAL HORN



Horn & Can
10033



Spare Can
10032

MINI SIGNAL HORN



Horn & Can
10043



Spare Can
10042

Oceansouth's Acoustic Gas Horn uses ozone-friendly propellant. Signals up to 1500 meters. An important part of your craft's safety gear. Also widely used by sporting clubs, schools and industry.
POPULAR INDUSTRIAL USAGE

Features

- Australian Made
- Construction safety signal
- Fire signal
- Rail Signal

The Mini Signal Horn is the perfect companion for outdoor and sporting enthusiasts.

Features

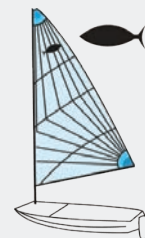
- Small enough to fit into your briefcase bag or backpack
- An essential item for night time workers, senior citizens, students or anyone concerned for their personal safety.

| SKU | DESCRIPTION | CAPACITY |
|--------------|--------------|----------|
| 10033 | Horn and Can | 380ml |
| 10032 | Spare Can | 380ml |

| SKU | DESCRIPTION | CAPACITY |
|--------------|--------------|----------|
| 10043 | Horn and Can | 380ml |
| 10042 | Spare Can | 380ml |



SAILING DINGHY COVERS



NEW

SAILING DINGHY COVERS

OPTIMIST



Optimist Blade Bag



| SKU | COVER TYPE |
|-----|-----------------------|
| S32 | Optimist Travel Cover |
| S33 | Optimist Hull Cover |
| S35 | Optimist Blade Bag |
| S36 | Optimist Mast Bag |

LASER



| SKU | COVER TYPE |
|-----|------------------------|
| S42 | Laser Travel Cover |
| S43 | Laser Hull Cover |
| S44 | Laser Rudder Cover |
| S45 | Laser Ruddler/Keel Bag |
| S46 | Laser Mast Cover |

420



| SKU | COVER TYPE |
|-----|--------------------------|
| S01 | 420 Deck Cover with Mast |
| S02 | 420 Travel Cover |
| S03 | 420 Hull Cover |
| S04 | 420 Rudder Cover |

470



| SKU | COVER TYPE |
|-----|--------------------------|
| S11 | 470 Deck Cover with Mast |
| S12 | 470 Travel Cover |
| S13 | 470 Hull Cover |
| S14 | 470 Rudder Cover |

FINN



29ER



| SKU | COVER TYPE |
|-----|---------------------------|
| S21 | Finn Deck Cover with Mast |
| S22 | Finn Travel Cover |
| S23 | Finn Hull Cover |
| S24 | Finn Rudder Cover |

| SKU | COVER TYPE |
|-----|---------------------------|
| S61 | 29er Deck Cover with Mast |
| S62 | 29er Travel Cover |
| S63 | 29er Hull Cover |
| S64 | 29er Rudder Cover |

49ER



BIC



| SKU | COVER TYPE |
|-----|---------------------------|
| S71 | 49er Deck Cover with Mast |
| S72 | 49er Travel Cover |
| S73 | 49er Hull Cover |
| S74 | 49er Rudder Cover |

| SKU | COVER TYPE |
|-----|----------------------|
| S52 | Bic Travel Cover |
| S53 | Bic Hull Cover |
| S54 | Bic Rudder Cover |
| S55 | Bic Ruddler/Keel Bag |

RSAERO



| SKU | COVER TYPE |
|-----|------------------------------|
| S81 | Rs Aero Deck Cover with Mast |
| S82 | Rs Aero Travel Cover |
| S83 | Rs Aero Hull Cover |
| S84 | Rs Aero Rudder Cover |

RS QUEST



| SKU | COVER TYPE |
|------|-------------------------------|
| S101 | Rs Quest Deck Cover with Mast |
| S102 | Rs Quest Travel Cover |
| S103 | Rs Quest Hull Cover |
| S104 | Rs Quest Rudder Cover |

RS 100



| SKU | COVER TYPE |
|------|-----------------------------|
| S111 | Rs 100 Deck Cover with Mast |
| S112 | Rs 100 Travel Cover |
| S113 | Rs 100 Hull Cover |
| S114 | Rs 100 Rudder Cover |

RS 200



| SKU | COVER TYPE |
|------|-----------------------------|
| S131 | Rs 200 Deck Cover with Mast |
| S132 | Rs 200 Travel Cover |
| S133 | Rs 200 Hull Cover |
| S134 | Rs 200 Rudder Cover |

TASAR



| SKU | COVER TYPE |
|------|----------------------------|
| S201 | Tasar Deck Cover with Mast |
| S202 | Tasar Travel Cover |
| S203 | Tasar Hull Cover |
| S204 | Tasar Rudder Cover |

PACER



| SKU | COVER TYPE |
|------|----------------------------|
| S151 | Pacer Deck Cover with Mast |

CADET



| SKU | COVER TYPE |
|------|----------------------------|
| S171 | Cadet Deck Cover with Mast |

OK DINGHY



| SKU | COVER TYPE |
|-------|--------------------------------|
| SA231 | OK Dinghy Deck Cover with Mast |

NEW

SAILING DINGHY COVERS

(Available only in Australia)

IMPULSE



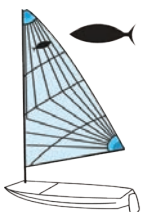
| SKU | COVER TYPE |
|------|------------------------------|
| S211 | Impulse Deck Cover with Mast |
| S212 | Impulse Travel Cover |
| S213 | Impulse Hull Cover |
| S214 | Impulse Tiller Cover |

MIRROR



| SKU | COVER TYPE |
|------|-----------------------------|
| S141 | Mirror Deck Cover with Mast |

MINNOW



| SKU | COVER TYPE |
|------|-----------------------------|
| S161 | Minnow Deck Cover with Mast |

SAILING YACHT & AWNINGS



leave the rope
1m outside (both side)



100% High tech Polyester



Breathable



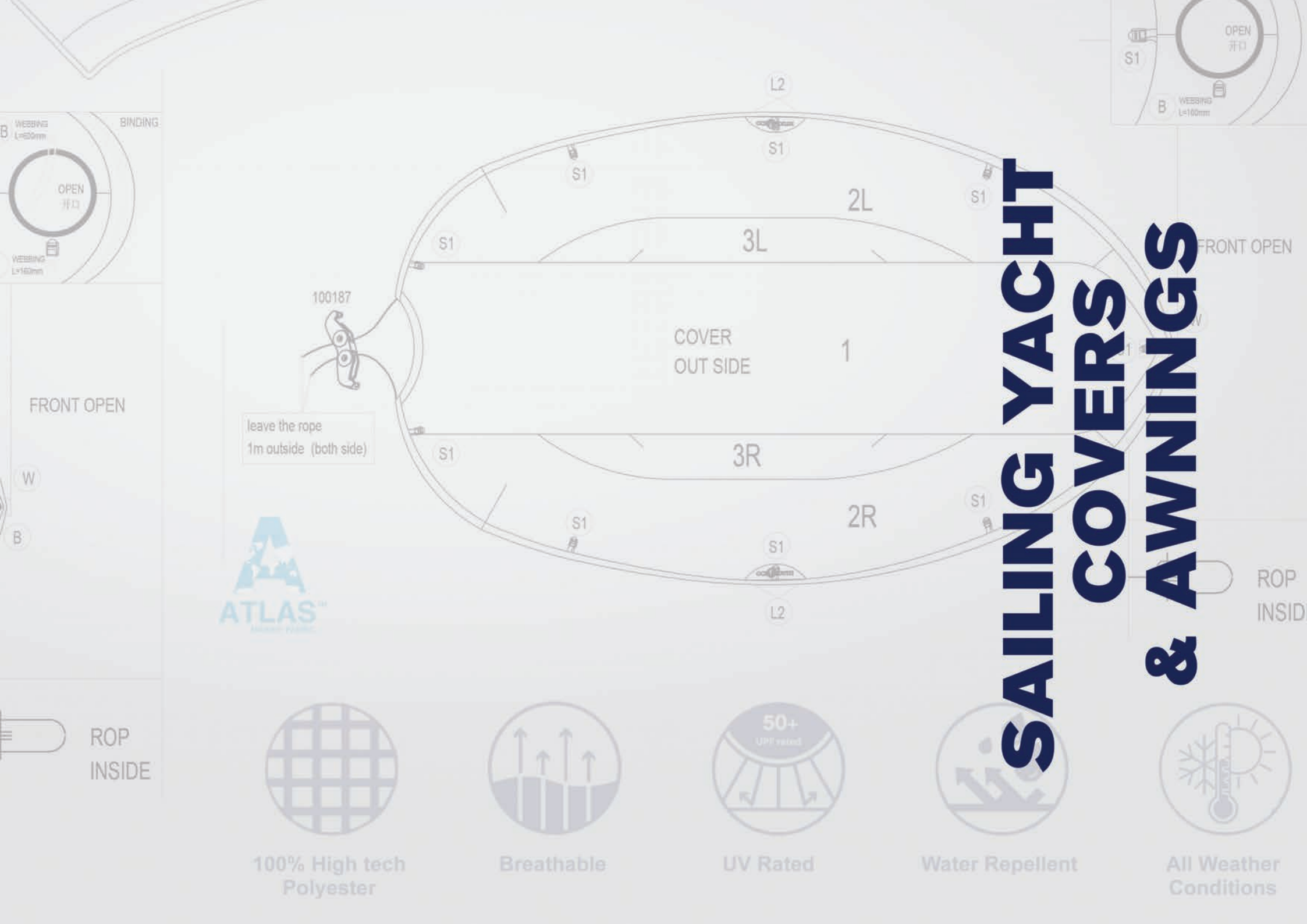
50+
UPF rated



Water Repellent

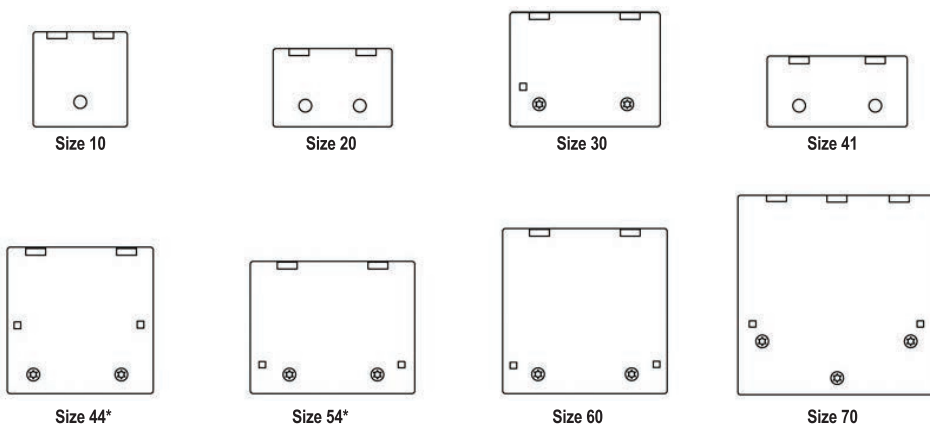
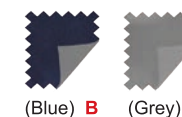


All Weather Conditions



NEW FLUSH HATCH COVERS

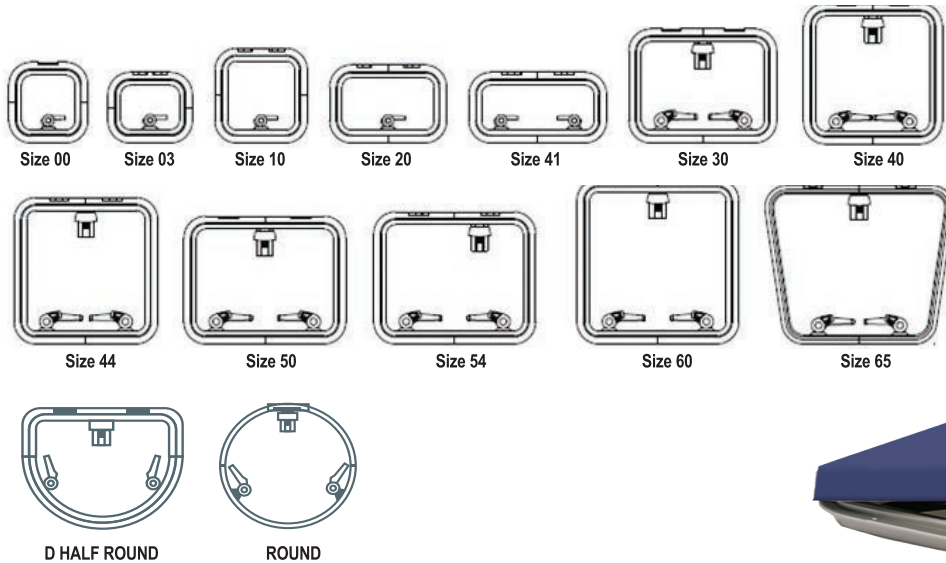
ATLAS ATLAS GOLDEN RANGE
DOPE DYED POLYESTER CANVAS
310 g/m² - 9.14 oz/yd²



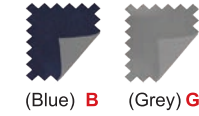
FLUSH HATCHES - LEWMAR

| SKU | SIZES | WIDTH | LENGTH | COLOUR |
|-----------|-------|-------|--------|--------------|
| MA 410-10 | 10 | 330mm | 330mm | Blue or Grey |
| MA 410-20 | 20 | 417mm | 272mm | Blue or Grey |
| MA 410-30 | 30 | 527mm | 397mm | Blue or Grey |
| MA 410-41 | 41 | 491mm | 246mm | Blue or Grey |
| MA 410-44 | 44 | 512mm | 512mm | Blue or Grey |
| MA 410-54 | 54 | 577mm | 462mm | Blue or Grey |
| MA 410-60 | 60 | 577mm | 577mm | Blue or Grey |
| MA 410-70 | 70 | 697mm | 697mm | Blue or Grey |

COLOUR SKU REQUIRED WHEN ORDERING



ATLAS ATLAS GOLDEN RANGE
DOPE DYED POLYESTER CANVAS
310 g/m² - 9.14 oz/yd²



TRAPEZOID HATCH COVER

| SKU | SIZE | W MAX | W MIN | LENGTH | COLOUR |
|-----------|------|-------|-------|--------|--------------|
| MA 412-65 | 65 | 675mm | 560mm | 560mm | Blue or Grey |
| MA 412-20 | | 620mm | 520mm | 660mm | Blue or Grey |
| MA 412-30 | | 700mm | 560mm | 580mm | Blue or Grey |

COLOUR SKU REQUIRED WHEN ORDERING

D HALF HATCH COVER

| SKU | SIZE | WIDTH | LENGTH | COLOUR |
|-----------|------|-------|--------|--------------|
| MA 413-51 | 51 | 588mm | 448mm | Blue or Grey |
| MA 413-64 | 64 | 600mm | 500mm | Blue or Grey |

COLOUR SKU REQUIRED WHEN ORDERING

ROUND HATCH COVER

| SKU | SIZE | DIAMETER | COLOUR |
|-----------|------|----------|--------------|
| MA 414-10 | | 290mm | Blue or Grey |
| MA 414-18 | 18 | 490mm | Blue or Grey |
| MA 414-22 | 22 | 588mm | Blue or Grey |

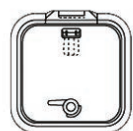
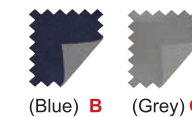
COLOUR SKU REQUIRED WHEN ORDERING

| SKU | SIZE | WIDTH | LENGTH | COLOUR |
|-----------|------|-----------|--------|--------------|
| MA 411-00 | 00 | 281mm | 281mm | Blue or Grey |
| MA 411-03 | 03 | 301mm | 246mm | Blue or Grey |
| MA 411-10 | 10 | 330mm | 330mm | Blue or Grey |
| MA 411-20 | 20 | 417mm | 272mm | Blue or Grey |
| MA 411-30 | 30 | 527mm | 397mm | Blue or Grey |
| | | MED 528mm | 398mm | Blue or Grey |
| MA 411-40 | 40 | 491mm | 491mm | Blue or Grey |
| | | MED 492mm | 492mm | Blue or Grey |
| MA 411-41 | 41 | 491mm | 246mm | Blue or Grey |
| MA 411-44 | 44 | 512mm | 512mm | Blue or Grey |
| | | MED 513mm | 513mm | Blue or Grey |
| MA 411-50 | 50 | 577mm | 447mm | Blue or Grey |
| | | MED 578mm | 448mm | Blue or Grey |
| MA 411-54 | 54 | 577mm | 462mm | Blue or Grey |
| | | MED 578mm | 463mm | Blue or Grey |
| MA 411-60 | 60 | 577mm | 577mm | Blue or Grey |
| | | MED 578mm | 578mm | Blue or Grey |
| MA 411-70 | 70 | 698mm | 698mm | Blue or Grey |
| MA 411-77 | 77 | 770mm | 770mm | Blue or Grey |

COLOUR SKU REQUIRED WHEN ORDERING

NEW HIGH PROFILE HATCH COVERS

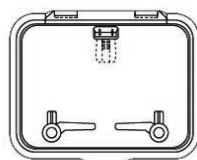
ATLAS ATLAS GOLDEN RANGE
DOPE DYED POLYESTER CANVAS
310 g/m² - 9.14 oz/yd²



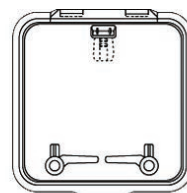
Size 10



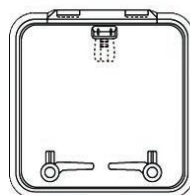
Size 20



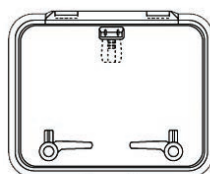
Size 30



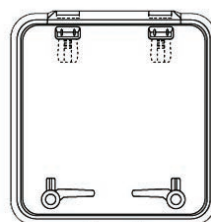
Size 40



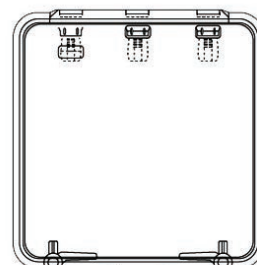
Size 44



Size 50



Size 60



Size 70

| SKU | SIZE | WIDTH | LENGTH | COLOUR |
|-----------|------|-------|--------|--------------|
| MA 415-10 | 10 | 324mm | 324mm | Blue or Grey |
| MA 415-20 | 20 | 411mm | 266mm | Blue or Grey |
| MA 415-30 | 30 | 521mm | 391mm | Blue or Grey |
| MA 415-40 | 40 | 485mm | 485mm | Blue or Grey |
| MA 415-44 | 44 | 509mm | 509mm | Blue or Grey |
| MA 415-50 | 50 | 574mm | 444mm | Blue or Grey |
| MA 415-60 | 60 | 574mm | 574mm | Blue or Grey |
| MA 415-70 | 70 | 694mm | 694mm | Blue or Grey |

COLOUR SKU REQUIRED WHEN ORDERING

NEW WHEEL COVERS



(Blue) **B**



(Grey) **G**



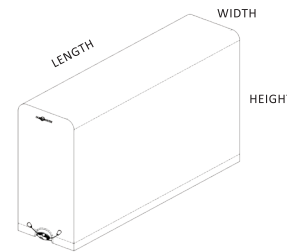
ATLAS GOLDEN RANGE
DOPE DYED POLYESTER CANVAS
310 g/m² - 9.14 oz/yd²



| SKU | DIAMETER | COLOUR |
|-------------|---------------|--------------|
| MA 403 - 1 | Ø610mm (24") | Blue or Grey |
| MA 403 - 2 | Ø812mm (32") | Blue or Grey |
| MA 403 - 3 | Ø915mm (36") | Blue or Grey |
| MA 403 - 4 | Ø1015mm (39") | Blue or Grey |
| MA 403 - 5 | Ø1115mm (43") | Blue or Grey |
| MA 403 - 6 | Ø1215mm (48") | Blue or Grey |
| MA 403 - 7 | Ø1315mm (51") | Blue or Grey |
| MA 403 - 8 | Ø1415mm (55") | Blue or Grey |
| MA 403 - 9 | Ø1515mm (59") | Blue or Grey |
| MA 403 - 10 | Ø1615mm (62") | Blue or Grey |
| MA 403 - 11 | Ø1715mm (67") | Blue or Grey |

COLOUR SKU REQUIRED WHEN ORDERING

NEW COCKPIT TABLE COVER



(Blue) **B**



(Grey) **G**



ATLAS GOLDEN RANGE
DOPE DYED POLYESTER CANVAS
310 g/m² - 9.14 oz/yd²



| SKU | LENGTH | WIDTH | HEIGHT | COLOUR |
|------------|--------|-------|--------|--------------|
| MA 405 - 1 | 950mm | 300mm | 650mm | Blue or Grey |
| MA 405 - 2 | 1050mm | 400mm | 650mm | Blue or Grey |
| MA 405 - 3 | 1200mm | 350mm | 650mm | Blue or Grey |
| MA 405 - 4 | 1250mm | 450mm | 700mm | Blue or Grey |
| MA 405 - 5 | 1350mm | 500mm | 700mm | Blue or Grey |
| MA 405 - 6 | 1450mm | 550mm | 700mm | Blue or Grey |
| MA 405 - 7 | 1550mm | 550mm | 700mm | Blue or Grey |

COLOUR SKU REQUIRED WHEN ORDERING

MEASUREMENT GUIDE

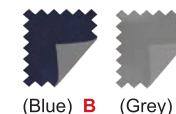
| ANDERSON | | HARKEN | | LEWMAR | |
|---------------------------|------|---------------------------|------|-----------------------------|------|
| WINCH TYPE | SIZE | WINCH TYPE | SIZE | WINCH TYPE | SIZE |
| 28 Electric ST Compact | 3 | B32.2C 2 Speed | 1 | 24 Two Speed | 1 |
| 28 Standard | 1 | B32.2STC 2 Speed | 3 | 30 ST Ocean Two Speed | 3 |
| 28 Standard ST | 3 | B40.2C 2 Speed | 2 | 30 Two Speed | 1 |
| 40 Electric ST Compact | 4 | B40.2STC 2 Speed | 4 | 40 Electric ST | 5 |
| 40 Standard | 2 | B40.2STEC Electric | 6 | 40 ST Ocean Two Speed | 4 |
| 40 Standard ST | 4 | B44.2STC 2 Speed | 5 | 40 STOR Racing | 4 |
| 46 Electric ST | 7 | B44.2STEC Electric | 6 | 40 Two Speed | 2 |
| 46 Electric ST Compact | 6 | B45.2STR Racing 2 Speed | 5 | 44 Electric ST | 6 |
| 46 Hydraulic ST | 6 | B46.2STC 2 Speed | 6 | 44 Hydraulic ST | 6 |
| 46 ST Stainless Steel | 6 | B46.2STEC Electric | 7 | 44 ST Ocean Two Speed | 5 |
| 46 Standard | 2 | B48.2STC 2 Speed | 7 | 44 STOR Racing | 5 |
| 46 Standard ST | 6 | B48.2STEC Electric | 8 | 44 STOR Racing - High Speed | 6 |
| 52 Electric ST | 8 | B48.2STR Racing 2/3 Speed | 7 | 48 Electric ST | 7 |
| 52 Electric ST Compact | 8 | B53.2ST 2 Speed | 9 | 48 Hydraulic ST | 7 |
| 52 Hydraulic ST | 8 | B53.2STC 2/3 Speed | 8 | 48 ST Ocean Two Speed | 6 |
| 52 ST Stainless Steel | 7 | B53.2STE Electric | 9 | 48 STOR Racing | 6 |
| 52 Standard ST | 7 | B53.2STH Hydraulic | 9 | 48 STOR Racing - High Speed | 7 |
| 58 Electric STE | 9 | B53.2STR Racing 2 Speed | 8 | 50 Electric ST | 9 |
| 58 Electric STE Compact D | 9 | B56.2ST 2 Speed | 9 | 50 Hydraulic ST | 9 |
| 58 Electric STE Compact U | 9 | B56.2STE Electric | 10 | 50 ST Ocean Two Speed | 8 |
| 58 Hydraulic STH | 9 | B56.2STH Hydraulic | 10 | 50 STOR Racing | 8 |
| 58 ST Stainless Steel | 9 | B56.3ST 3 Speed | 9 | 54 Electric ST | 9 |
| 58 Standard ST | 9 | | | 54 Hydraulic ST | 9 |
| 62 Electric STE | 9 | | | 54 ST Ocean Two Speed | 8 |
| 62 Electric STE Compact D | 9 | | | 54 STOR Racing | 8 |
| 62 Electric STE Compact U | 9 | | | 58 Electric ST | 10 |
| 62 Hydraulic STH | 9 | | | 58 Hydraulic ST | 10 |
| 62 ST Stainless Steel | 9 | | | 58 ST Two Speed | 9 |
| 62 Standard ST | 9 | | | 58 STOR Racing | 9 |
| | | | | 62 STOR Racing | 9 |
| | | | | 64 Electric ST | 10 |
| | | | | 64 Hydraulic ST | 10 |
| | | | | 64 ST Two Speed | 9 |



- Simple design allows for quick fitting on/off.
- 1" elasticized waist secures cover firmly around winch.
- Double thickness stitched hem sits neatly around winch base.
- Excellent UV and weather protection.
- Available in Grey and Blue colours



ATLAS GOLDEN RANGE
DOPE DYED POLYESTER CANVAS
310 g/m² - 9.14 oz/yd²



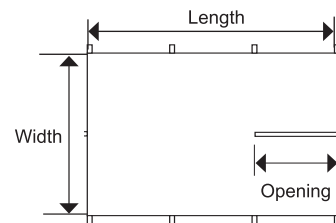
| SKU | SIZE | HEIGHT | BASE Ø | STANDARD |
|-------------|------|--------|--------|----------|
| MA 401 - 1 | 1 | 130mm | 130mm | |
| MA 401 - 2 | 2 | 145mm | 140mm | |
| MA 401 - 3 | 3 | 160mm | 145mm | |
| MA 401 - 4 | 4 | 180mm | 150mm | |
| MA 401 - 5 | 5 | 200mm | 170mm | |
| MA 401 - 6 | 6 | 215mm | 190mm | |
| MA 401 - 7 | 7 | 230mm | 200mm | |
| MA 401 - 8 | 8 | 250mm | 205mm | |
| MA 401 - 9 | 9 | 280mm | 270mm | |
| MA 401 - 10 | 10 | 315mm | 290mm | |

COLOUR SKU REQUIRED WHEN ORDERING



Oceansouth Sailboat Awnings are designed to fit a variety of sailboats. Manufactured with Cyclone 220g/m² polyester canvas that has a colour fastness to light, grade 6-7 to provide durable, secure protection from the sun.

- Easily installed across boom.
- Velcro & buckled rear central opening to allow for topping lift.
- Secured with tie downs to mast, back stay and rails.
- Tie downs included.



DOPE DYED
POLYESTER CANVAS
280 g/m² - 8.2oz/yd²

| SKU | WIDTH | LENGTH | OPENING |
|------------|--------|--------|---------|
| MA 402 - 1 | 2500mm | 2400m | 850mm |
| MA 402 - 2 | 3000mm | 3200m | 1200mm |
| MA 402 - 3 | 3600mm | 4200m | 1200mm |



AVAILABLE SOON

SAILING YACHT DECK COVERS

**CUSTOM MADE FOR
JEANNEAU · BENETEAU · HANSE
DUFOR · BAVARIA**



OCEANSOUTH AUSTRALIA

1-3 Urban Street, Braeside,
Victoria 3195,
Tel: +61 3 9580 0015
Fax: +61 3 9580 7844
sales@oceansouth.com.au

OCEANSOUTH USA INC

3906-3908 NW 126th Avenue,
Coral Springs, Florida 33065
Tel: +1 954 575 8444
Fax: +1 954 575 8899
sales@oceansouth.us

OCEANSOUTH CHINA CO. LTD.

938 Nanfeng Road, Fengcheng,
Fengxian, Shanghai 201411
Tel: +86 21 5752 2291
Fax: +86 21 5752 1753
info@oceansouth.com

OCEANSOUTH NEW ZEALAND LTD

60 Hillside Road, Wairau Valley,
Auckland 0627,
Tel: +64 9 5513054
Fax: +64 9 5513053
sales@oceansouth.co.nz

OCEANSOUTH EUROPE GMBH

Zeppelinstraße 9
28844 Weyhe, Germany
Tel: +49-(0)4404-20 900 30
sales@oceansouth.de

OCEANSOUTH JIANGSU CO. LTD.

Creative Industrial Park,
Taixing, Jiangsu
China

