



## Splicing hardware

**OSCULATI**



### Clamps for rope splicing

Made of **plastic composite** material. Lightweight, rust-proof and reliable, easy to make slipknots and splicing with rope thimbles. Suitable for stranded wires or 3-ply ropes.

Code	Compact line mm	Soft line mm	Colour	ORDER BY BOX
04.179.05	5	6	<input type="checkbox"/> White	2
04.179.08	6	7	<input type="checkbox"/> White	2
04.179.10	8	10	<input type="checkbox"/> White	2
04.179.12	10	12	<input type="checkbox"/> White	2
04.179.16	12	14	<input type="checkbox"/> White	2

### U-bolt clamps

**AISI 316**

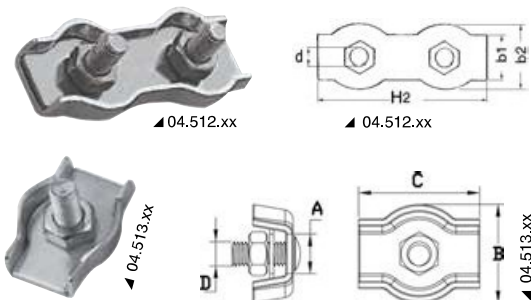
Made of mirror polished AISI 316 stainless steel.



Code	For cable size mm	Thread	ORDER BY BOX	Code	For cable size mm	Thread	ORDER BY BOX
04.180.00	1,5/2	M3	10	04.181.05	9/10	M8	5
04.180.01	2/3	M3	10	04.181.06	11/12	M10	5
04.181.01	3/4	M4	10	04.181.07	13/14	M10	-
04.181.02	4/5	M5	10	04.181.08	15/16	M10	-
04.181.03	6	M5	10	04.181.10	19/21	M12	-
04.181.04	7/8	M6	10				

### Stainless steel clamps

Suitable for bare or plastic-coated cables.



Code	Version	b1 mm	b2 mm	d mm	h2 mm	A mm	B mm	C mm	D	For cables mm
04.512.03	Double	6	14	M4	38	-	-	-	-	3
04.512.04	Double	8	17	M5	43	-	-	-	-	4
04.512.05	Double	10	20	M5	51	-	-	-	-	5
04.512.06	Double	12	24	M6	63	-	-	-	-	6
04.512.08	Double	17	31	M8	78	-	-	-	-	8
04.513.02	Simple	-	-	-	-	4.3	11	15	M4	2
04.513.03	Simple	-	-	-	-	6	14	18	M4	3
04.513.04	Simple	-	-	-	-	8.5	16.5	20	M5	4
04.513.05	Simple	-	-	-	-	11	20	25	M5	5

### Clamp made of stainless steel 18/8



Suitable for bare or plastic-coated cables; very sturdy and functional.

Code	For cable size mm
04.184.00	2/6

### Clamp made of stainless steel



Suitable to fasten flags onto the rigging and to be used as hooking points.

Code	Material	For cables mm
04.181.20	Stainless steel	3/6

**Splicing sleeves made of aluminium**



To be used with its dedicated pliers to create eye terminals on wire cables.

Code	Cable Ø mm	Code	Cable Ø mm	Code	Cable Ø mm
04.566.02	2	04.566.04	4	04.566.08	8
04.566.25	2,5	04.566.05	5		
04.566.03	3	04.566.06	6		



**Splicing sleeves**

Made of **galvanized** copper.

Code	Cable Ø mm		Code	Cable Ø mm	
04.569.02	2	10	04.569.05	5	10
04.569.25	2,5	10	04.569.06	6	10
04.569.03	3	10	04.569.08	8	10
04.569.04	4	10	04.569.10	10	10



**Splicing pliers**

**Special steel** high frequency hardened jaws; rubber handles; sleeve press micrometrical adjustment.

Code	Length mm	Fitted with	Suitable for cable sizes mm
04.564.00	600	cable cutter up to 6 mm	1,5/2/2,5/3/4/5
04.564.01	760	-	4/6/8

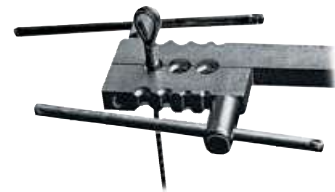


**Splicing pliers, key version**

Uses sleeves model 04.566.xx and 04.569.xx; ideal for boat competitors due to its small size and its easy handling.

Code	Model	For cable sizes mm
04.568.00	universal	1,5/2/2,5/3/4/5/6*


\* 6 mm only aluminium



**Cable cutters, shroud cutters and tensometers**

**FELCO cable cutters**

Suitable for cutting steel cables and rods; ideal as work tools in the shop or in dockyards or as emergency tools for sail boats.

Code	Handles	For S.S. cables up to mm	For rod up to mm	Length mm	
04.567.06	plastify iron	5	3	190	0,27
04.567.12	aluminium	8	6	500	1,50
04.567.16	aluminium	16	8	630	2,30



**LOOS Rig tensiometers**

Suitable for checking the exact shroud tension; made of **aluminium and stainless steel**, very practical and easy to use.

Code	Model	For flexible cables size mm	For rigid plate mm	Version
04.572.90	Standard	2,5/3/4	-	-
04.572.91	Standard	5/6/7	-	-
04.573.01	Professional	2,5/3/4	-	PT1
04.573.02	Professional	5/6/7	-	PT2
04.573.03	Professional	8/9/10	-	PT3
04.574.01	Professional	-	7/10	RT1

