



## LEWMAR Control blocks with stainless ball bearings

**LEWMAR**

LEWMAR Control blocks adopt a stainless steel ball bearing system that rotates inside a bushing made of the same material to offer high sliding performance. The MRT-Metal Replacement Technology and the accurate design of the composite cheeks provide a weight advantage. The open design allows sand and salt to be flushed out easily, which keeps maintenance simple and your entire operation running a lot smoother. Ideal for reduced loads. Cleats are designed to bear only manually-applied loads.

### LEWMAR Control block (30-40 mm)

Block blocks	Type	Sheave Ø mm	Max working load kg	Breaking load kg	For ropes mm
68.401.31	Single	30	200	480	8
68.402.31	Double	30	300	600	8
68.403.31	Triple	30	500	1000	8
68.404.31	Single with becket	30	200	480	8
68.405.31	Double with becket	30	300	600	8
68.406.31	Triple with becket	30	500	1000	8
68.420.31	Single with upstand	30	300	1000	8
68.441.31	Single, fixed	30	200	480	8
68.414.31	Single, fixed with becket	30	200	480	8
68.410.31	Triple with becket and cam	30	200	480	8
68.463.31	Vertical footblock	30	200	480	8
68.465.31	Pivoting exit block with cam	30	200	480	8
68.440.30	Snatch block	30	120	240	8
68.401.41	Single	40	240	800	10
68.402.41	Double	40	480	1200	10
68.403.41	Triple	40	720	1800	10
68.404.41	Single with becket	40	240	800	10
68.405.41	Double with becket	40	480	1200	10
68.406.41	Triple with becket	40	720	1800	10
68.420.41	Single with upstand	40	240	800	10
68.409.41	Single with becket and cam	40	480	800	10
68.410.41	Triple with becket and cam	40	720	1800	10
68.463.41	Vertical footblock	40	240	800	10
68.440.40	Snatch block	40	180	360	10



### LEWMAR Control block (60 mm)

Code	Type	Max working load kg	Breaking load kg	Length mm	Weight kg	For ropes max mm
68.460.60	Triple with ratchet, becket and cam	1000	2000	166	538	10



## LEWMAR Synchro blocks

LEWMAR®

Simple and reliable blocks engineered for reduced friction, lightweight and resistance. These plain bearing blocks are typically used for heavy and static loads in: halyard tuning, mainsheet systems, mast foot blocks, mast head blocks and boom vang. The composite sheave slides on a synthetic Free-Spin bearing while stainless steel reinforced cheeks prevent ropes from wedging. Practical switch from swivel to fixed shackle. All models are compatible with LEWMAR bases and eyebolts.

## LEWMAR Synchro block (50 - 60 - 72 - 90 mm)

Type	50 Ø sheave			60 Ø sheave			72 Ø sheave			90 Ø sheave		
	Code	Max working load	For optimum ropes/max mm	Code	Max working load	For optimum ropes/max mm	Code	Max working load	For optimum ropes/max mm	Code	Max working load	For optimum ropes/max mm
Single	68.301.51	450	6/10	68.301.61	800	8/10	68.301.71	1100	10/12	68.301.91	2000	12/14
Single with toggle head	68.321.51	450	6/10	68.321.61	800	8/10	68.321.71	1100	10/12	-	-	-
Single with becket	68.304.51	450	6/10	68.304.61	800	8/10	68.304.71	1100	10/12	68.304.91	2000	12/14
Double	68.302.51	450	6/10	68.302.61	800	8/10	68.302.71	1100	10/12	-	-	-
Double with becket	68.305.51	450	6/10	68.305.61	800	8/10	68.305.71	1100	10/12	-	-	-
Triple	68.303.51	450	6/10	68.303.61	800	8/10	68.303.71	1100	10/12	-	-	-
Single with becket and cam	68.309.51	450	6/10	-	-	-	-	-	-	-	-	-
Triple with becket and cam	68.310.51	450	6/10	68.310.61	800	8/10	68.310.71	1100	10/12	-	-	-
Fiddle	68.331.51	450	6/10	68.331.61	800	8/10	68.331.71	1100	10/12	-	-	-
Fiddle with cam	68.337.51	450	6/10	68.337.61	800	8/10	68.337.71	1100	10/12	-	-	-
Fiddle with becket	68.334.51	450	6/10	68.334.61	800	8/10	68.334.71	1100	10/12	-	-	-
Fiddle with becket and cam	68.339.51	450	6/10	68.339.61	800	8/10	68.339.71	1100	10/12	-	-	-



## LEWMAR Synchro footblock

Code	Type	Sheave Ø	Max working load kg	Breaking load kg	g	Mounting
68.361.61	Single	60 mm	800	1600	162	2 x 8-mm pins
68.364.61	Single with jammer	60 mm	800	1600	190	2 x 8-mm pins
68.361.71	Single	72 mm	1200	2400	229	2 x 8-mm pins
68.364.71	Single with jammer	72 mm	1200	2400	250	2 x 8-mm pins
68.361.91	Single	90 mm	2000	4000	430	2 x 10-mm pins

## LEWMAR Synchro quick-release snap shackle

Designed for Synchro control blocks, it turns any block with shackle into an easily removable block. 100% stainless steel.



Code	For blocks mm	Max. working load kg	Breaking load kg	Pin Ø mm
68.940.50	50	450	900	4
68.940.60	60	800	1600	5
68.940.72	72	1100	2200	6
68.940.90	90	2000	4100	9,5

## LEWMAR HTX aluminium blocks

LEWMAR®

## LEWMAR HTX block (50 - 60 - 72 - 90 mm)

This range of control blocks features high load performance and reduced friction, and received several rave reviews even before its official launch. Strong aluminium side cheeks ensure optimum load distribution and align the rope in case of offset load or wrong working angles. Much higher load resistance with the same diameter. Side thrust Torlon ball bearings.

Type	50 Ø sheave			60 Ø sheave			72 Ø sheave			90 Ø sheave		
	Code	Max working load	For ropes max	Code	Max working load	For ropes max	Code	Max working load	For ropes max	Code	Max working load	For ropes max
Single with upstand	68.600.50	800	10	68.600.60	1100	12	68.600.72	2000	14	68.600.90	3500	16
Single	68.601.50	800	10	68.601.60	1100	12	68.601.72	2000	14	68.601.90	3500	16
Double	68.602.50	800	10	68.602.60	1100	12	68.602.72	2000	14	-	-	-
Triple	68.603.50	800	10	68.603.60	1100	12	-	-	-	-	-	-
Single with becket	68.604.50	800	10	68.604.60	1100	12	68.604.72	2000	14	68.604.90	3500	16
Double with becket	68.605.50	800	10	68.605.60	1100	12	-	-	-	-	-	-
Single with toggle head	68.621.50	800	10	68.621.60	1100	12	68.621.72	2000	14	-	-	-
Single with becket and cam	68.609.50	800	10	-	-	-	-	-	-	-	-	-
Triple with becket and cam	68.610.50	800	10	68.610.60	1100	12	-	-	-	-	-	-
Fiddle	68.631.50	800	8	68.631.60	1100	10	68.631.72	2000	12	-	-	-
Fiddle with becket and cam	68.639.50	800	8	68.639.60	1100	10	68.639.72	2000	12	-	-	-



▲68.601.xx  
(Single)



▲68.602.xx  
(Double)



▲68.603.xx  
(Triple)



▲68.604.xx (Single  
with becket)



▲68.605.xx (Double  
with becket)



▲68.609.xx (Single with  
becket and cleat)



▲68.610.xx (Triple with  
becket and cleat)



▲68.621.xx (Single with  
toggle head)



▲68.631.xx  
(Fiddle)



▲68.639.xx (Fiddle with  
becket and cleat)



▲68.600.xx (Single with  
upstand)

## LEWMAR snatch blocks

LEWMAR®

## LEWMAR snatch block

Opening snatch blocks with soft, synthetic rubber cheeks to protect the deck and Synchro quick-release snap shackle. Ideal for general spinnaker use and to resist rough treatment.

Code	Max working load kg	Max rope Ø mm	Sheave	
			Ø mm	Material
68.906.01	1135	14	66	Delrin
68.906.02	1590	16	80	Delrin
68.906.03	2155	16	80	Aluminum
68.906.05	4000	22	125	Aluminum



## LEWMAR Racing and Racing High Load blocks

**LEWMAR®**

Designed to offer incredible strength to weight ratios. With anodized aluminium cheeks, the High Load version has machined aluminium sheaves running on Teflon needle rollers and Delrin ball bearings. Diameters up to 250 mm available on request.



### LEWMAR Racing block (60 mm)

Code	Type	Max working load kg	Max rope Ø mm	Length mm	Weight kg
68.511.60	High Load Single	800	12	123	158
68.512.60	High Load Double	1400	12	132	320
68.500.60	Single with upstand	800	12	123	283

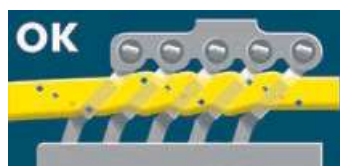


### LEWMAR Racing block (80 mm)

Code	Type	Max. working load kg	Max rope Ø mm	Length mm	Weight kg
68.511.80	Single	1000	12	152	251
68.514.80	Single with becket	1000	12	177	278
68.512.80	Double	1800	12	160	487
68.501.80	High load single	2400	14	155	337
68.502.80	High load double	3400	14	174	655
68.500.80	Single with upstand	2400	14	155	518

## LEWMAR rope clutches

**LEWMAR®**



An innovative patented system adopting a unique grip pattern of dominoes that has a series of 5 in-line and parallel rings hinged at the base. The rope is run through these rings. The greater holding surface area holds the rope under load **without fraying** and provides **controlled release even at full holding load**.



### LEWMAR D1 clutch

For low loads.

Single	Type		For ropes	Max holding load kg	Bore centre distance mm
	Double	Triple			
68.611.08	68.612.08	68.613.08	6-8	500	79
68.611.10	68.612.10	68.613.10	8-10	500	79



### LEWMAR D2 clutch

For high loads.

Single	Type		For ropes	Max holding load kg	Bore centre distance mm
	Double	Triple			
68.614.10	68.624.10	68.634.10	8-10	1200	107
68.614.12	68.624.12	68.634.12	10-12	1200	107
68.614.14	68.624.14	68.634.14	12-14	1200	107



## LEWMAR cam cleats

**LEWMAR**

### LEWMAR cam cleat

Made from state-of-the-art materials, Lewmar cleats enhance performance in durability, strength and lubrication. Cams slide on nylon ball bearings and are made of long-fibre-reinforced polymers.

Cleat	Fairlead	Bore centre distance mm	For ropes	Max working load kg
68.610.27	68.610.04	27	2-8	120
68.610.38	68.610.14	38	4-12	180



## LEWMAR deck organiser

**LEWMAR**

### LEWMAR Ocean deck organiser

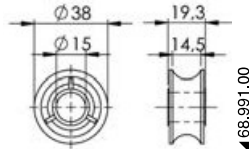
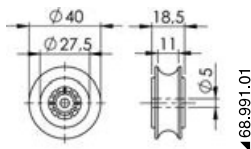
40-mm sheave, 10-mm max Ø ropes. Anodized aluminium frame, acetal sheaves on steel bushings. Stackable version.

Code	Type	Max working load kg	Length mm	Mounting
68.991.22	2 sheaves	1000	123	2 x 8-mm pins
68.991.23	3 sheaves	1500	206	3 x 8-mm pins
68.991.24	4 sheaves	2000	275	4 x 8-mm pins
68.991.25	5 sheaves	2500	352	5 x 8-mm pins



### LEWMAR spare sheave for deck organisers

Code	Material	Ø mm	Type	Max. working load kg	For deck organizer
68.991.00	acetal	40	Simple	610	Ocean 40 mm
68.991.01	nylon	40	On ball bearings	350	Racing 40 mm



## LEWMAR NTR tracks and cars

**LEWMAR**

### Features:

- Broad range for 6- to 21-m cruising and racing yachts.
- Simple installation.
- Cars available in several versions: rod cars, on Derlin or Torton ball bearings.
- Rod cars can switch to ball bearing cars for easier sliding.
- Aluminium end stops for excellent resistance and accuracy.

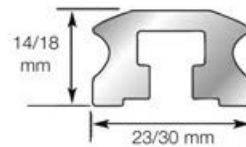


### LEWMAR sliding bolt track

Sliding bolt track available in size 1 and 2, and featuring what follows: Size 1 is made from a smooth and clean profile, with hidden joints; Size 2 allows to retrofit the new track to the deck using the original bolt holes therefore there's no need to worry about the correspondence with the centre distance of the previous bores.

Size 1: for boats up to 10 m, 900-kg max working load.  
Size 2: for boats up to 14 m, 1500-kg max working load.

Code	For Lewmar cars	mm			Working load max kg	Mounting
		Width	Height	Length		
68.746.01	Size 1	23	14	3000	900	M6 bolts
68.746.02	Size 2	30	18	3000	1500	M8 bolts

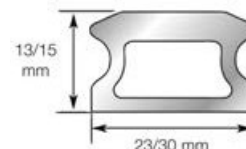


### LEWMAR drilled track

Regularly used for thru-hull fixing on the deck but also when using cars with plunger. Available in several lengths and sizes, 100-mm centre distance.

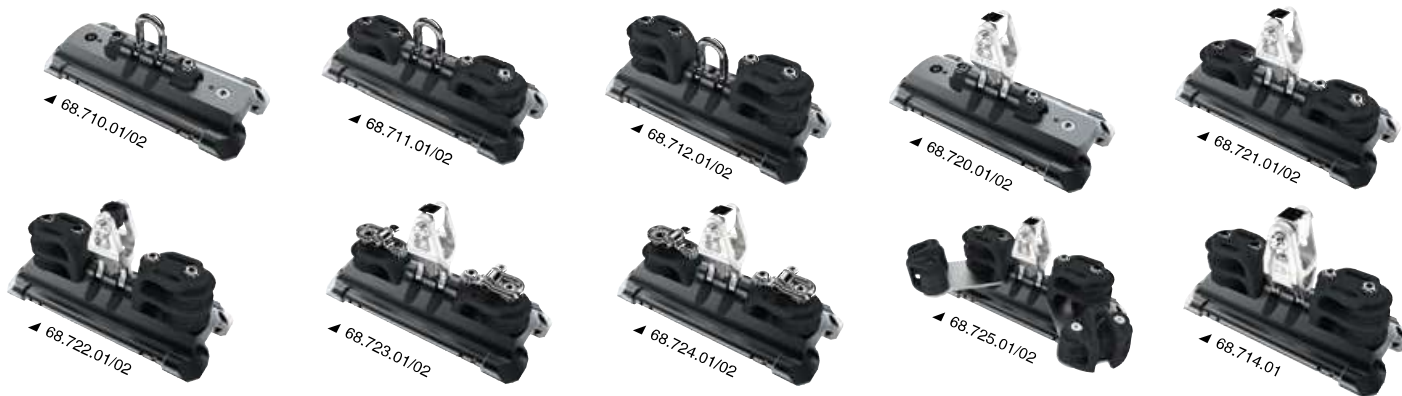
Size 1: for boats up to 10 m, 900-kg max working load.  
Size 2: for boats up to 14 m, 1500-kg max working load.

Code	For Lewmar cars	mm			Max working load kg	Mounting
		Width	Height	Length		
68.741.01	size 1	23	13	1526	900	M6 bolts
68.743.01	size 1	23	13	3026	900	M6 bolts
68.741.02	size 2	30	15	1532	2000	M8 bolts
68.743.02	size 2	30	15	3032	2000	M8 bolts



## LEWMAR NTR mainsheet car on Torlon balls

Description	For boats up to 10 m			For boats up to 14 m		
	code	length mm	max breaking load kg	code	length mm	Max breaking load kg
With shackle	68.710.01	162	900	68.710.02	210	1500
With shackle and control line sheaves	68.711.01	162	900	68.711.02	210	1500
With shackle and double control line sheaves	68.712.01	162	900	68.712.02	210	1500
With upstand	68.720.01	162	900	68.720.02	210	1500
With upstand and control line sheaves	68.721.01	162	900	68.721.02	210	1500
With upstand double control line sheaves	68.722.01	162	900	68.722.02	210	1500
With upstand, control line sheaves and becket	68.723.01	162	900	68.723.02	210	1500
With upstand, double control line sheaves and becket	68.724.01	162	900	68.724.02	210	1500
With upstand, double control line sheaves and cleat	68.725.01	162	900	68.725.02	210	1500
With bigger upstand and double control line sheaves	68.714.01	162	900	-	-	-



## LEWMAR NRT Genoa car on Torlon balls/rod

Available in 2 sizes:

- **Size 1:** for boats up to 12 meters, 900-kg max working load

- **Size 2:** for boats up to 16 meters, 1500-kg max working load

Description	For boats up to 12 m			For boats up to 16 m		
	Code	Length mm	Breaking load kg	Code	Length mm	Breaking load kg
On balls with single control line sheave (RIGHT car)	68.730.01	162	900	68.730.02	210	1500
On balls with single control line sheave (LEFT car)	68.731.01	162	900	68.731.02	210	1500
On rod with end stop	68.734.01	148	900	68.734.02	194	1500



## LEWMAR end stop

Available in 2 sizes:

- **Size 1:** for all Lewmar tracks size 1.

- **Size 2:** for all Lewmar tracks size 2.

Type	Size 1	Rope max Ø	Length mm	Size 2	Length mm	Rope max Ø
Aluminium without sheave	68.770.01	-	47	68.770.02	105	-
Aluminium with single sheave	68.771.01	8	47	68.771.02	105	10
Aluminium with double sheave	68.772.01	8	75	68.772.02	105	10
Aluminium with single sheave and becket	68.773.01	8	47	68.773.02	105	10
Aluminium with double sheave, becket and cleat	68.774.01*	8	75	68.774.02*	105	10
Adjustable end stop for cars	68.785.01	-	43	68.785.02	87	-
Nylon end stop without sheave	68.786.01	-	-	68.786.02	-	-

\* Both items are sold in pairs



## LEWMAR accessories for NTR cars

Available in 2 sizes:

- **Size 1**: for all Lewmar tracks size 1.
- **Size 2**: for all Lewmar tracks size 2.

Description	Size 1	Max working load kg	Size 2	Max working load kg
Becket kit (2 pcs)	<b>68.781.01</b>	585	<b>68.781.02</b>	750
Single sheave (2 pcs)	<b>68.782.01</b>	585	<b>68.782.02</b>	750
Double sheave (2 pcs)	<b>68.783.01</b>	585	<b>68.783.02</b>	750
Cleats with plates (2 pcs)	<b>68.784.01</b>	180	<b>68.784.02</b>	180
Upstand for blocks	<b>68.791.01</b>	900	<b>68.791.02</b>	1500
Double sheave, becket and cleat kit	<b>68.787.01</b>	585	<b>68.787.02</b>	750



68.784.01-02



68.787.01/02



68.781.01-02



68.782.01-02



68.783.01-02



68.791.01/02

## LEWMAR spare parts for cars

Code	Description	For LEWMAR cars	Ø mm
<b>68.792.00</b>	Delrin balls (100 pc)	Size 0	4,6
<b>68.792.01</b>	Delrin balls (100 pc)	Size 1	6,4
<b>68.793.01</b>	Torlon balls (100 pc)	Size 1	6,4
<b>68.793.02</b>	Torlon balls (100 pc)	Size 2	7,8
<b>68.793.03</b>	Torlon balls (100 pc)	Size 3	9,5
<b>68.790.01</b>	Caps for Ocean cars	Size 1	-
<b>68.790.02</b>	Caps for Ocean cars	Size 2	-
<b>68.780.01</b>	NTR Genoa car sheave	Size 1	-



68.790.01

68.780.01



68.793.01/02/03



68.792.00/01/02

## LEWMAR Genoa cars

LEWMAR®

## LEWMAR Genoa T-Track car

32-mm T-Track running on sliding blocks and fitted with end stop.

Code	Description	Size	Max. working load kg	Length mm
<b>68.732.01</b>	Genoa car with end stop	For boats up to 12 m	900	111
<b>68.732.02</b>	Genoa car with end stop	For boats up to 16 m	1500	120
<b>68.743.32</b>	3-m track	One size	-	3000
<b>68.786.32</b>	Simple nylon end stop	One size	-	-



68.732.01/02

68.743.32

68.786.32



## LEWMAR Evo winches

LEWMAR®

## LEWMAR Evo self-tailing winch

An evolution of the excellent products of the Ocean series, the Evo winch series features several improvements allowing to offer a **smaller size** winch with equal strength and the **same excellent grip** without saving on materials. To be installed with pins or studs. Available in manual, electric and/or hydraulic version. **7-year warranty.**



▲ 68.104.xx



▲ 68.113.xx



▲ 68.103.xx

Model	Code	Drum material	kg	Handle/drum rev. ratio		Transmitted/applied power ratio		Base Ø mm	Height mm	Rope Ø mm
				1	2	1	2			
15ST	68.103.15	Gray aluminium*	2,3	2,0:1	-	15,8:1	-	121	115	6 - 10
15ST	68.104.15	Black aluminium	2,3	2,0:1	-	15,8:1	-	121	115	6 - 10
15ST	68.113.15	Chromed brass	3,9	2,0:1	-	15,8:1	-	121	115	6 - 10
30ST	68.103.30	Gray aluminium*	4,2	2,0:1	4,2:1	13,8:1	29,2:1	138	146	8 - 12
30ST	68.104.30	Black aluminium	4,2	2,0:1	4,2:1	13,8:1	29,2:1	138	146	8 - 12
30ST	68.113.30	Chromed brass	5,6	2,0:1	4,2:1	13,8:1	29,2:1	138	146	8 - 12
40ST	68.103.40	Gray aluminium*	4,9	1,9:1	5,8:1	13,2:1	40,2:1	148	158	8 - 12
40ST	68.104.40	Black aluminium	4,9	1,9:1	5,8:1	13,2:1	40,2:1	148	158	8 - 12
40ST	68.113.40	Chromed brass	6,5	1,9:1	5,8:1	13,2:1	40,2:1	148	158	8 - 12
45ST	68.103.45	Gray aluminium*	7,2	2,4:1	7,6:1	13,9:1	44,8:1	168	178	8 - 14
45ST	68.104.45	Black aluminium	7,2	2,4:1	7,6:1	13,9:1	44,8:1	168	178	8 - 14
45ST	68.113.45	Chromed brass	9,7	2,4:1	7,6:1	13,9:1	44,8:1	168	178	8 - 14
50ST	68.103.50	Gray aluminium*	8,8	2,6:1	13,9:1	13,9:1	48,6:1	181	197	8 - 14
50ST	68.104.50	Black aluminium	8,8	2,6:1	13,9:1	13,9:1	48,6:1	181	197	8 - 14
50ST	68.113.50	Chromed brass	12,1	2,6:1	13,9:1	13,9:1	48,6:1	181	197	8 - 14
55ST	68.103.55	Gray aluminium*	12	2,8:1	13,8:1	13,8:1	54,0:1	205	237	8 - 16
55ST	68.104.55	Black aluminium	12	2,8:1	13,8:1	13,8:1	54,0:1	205	237	8 - 16
55ST	68.113.55	Chromed brass	17	2,8:1	13,8:1	13,8:1	54,0:1	205	237	8 - 16

\* Material to be ordered. Approx. lead time: 6 weeks.

## LEWMAR Ocean winches

LEWMAR®

▲ 68.101.06/08



▲ 68.101.16



## LEWMAR Ocean winch

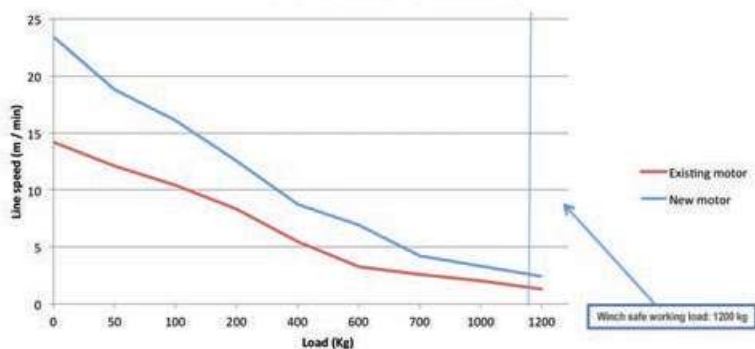
LEWMAR standard winches are a point of reference in technological innovation designed to provide high performance and unmatched durability. Fitted with anthracite anodized aluminium drum.

Code	Model	Speed	Handle/drum rev. ratio	Power ratio	kg	Base Ø mm	Mounting
68.101.06	6	1	1:1	6,8:1	0,5	94	4 x M6 screws
68.101.08	8	1	1:1	7,9:1	1,4	108	5 x M6 screws
68.101.16	16	2	1:1	16:1	2,1	120	5 x M6 screws

## LEWMAR oversized gearmotor

**68.142.12** Boosted motor for EVO 45 and 50 winches: the power switches from 700W to 1000W. The new motor powers higher pull capacities and faster line speeds. Ideal for 2:1 mainsail halyards, oversized masts, Gennaker and Code 0.

## EVO 45 Electric Performance





## LEWMAR electric self-tailing winches and manual-to-electric conversion kits

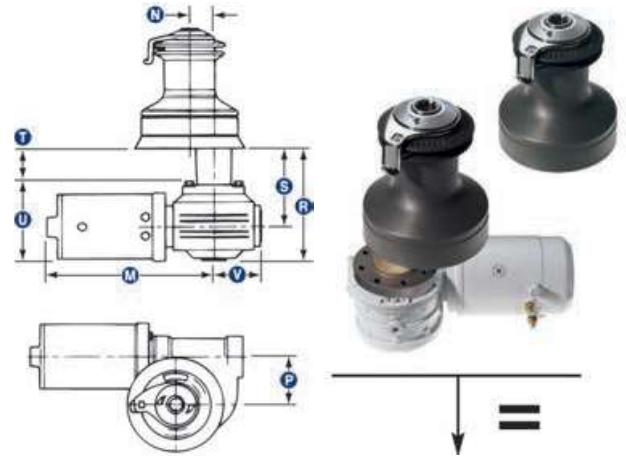
LEWMAR electrical winches include: self-tailing winch + power drive connection + motor gearbox + solenoid or control unit + switch.

LEWMAR electric winches can be operated by a simple solenoid (E series) or by a complex control unit (ELS series) featuring what follows: a slow start to avoid jerks, power cut-out when the winch reaches its working load limit, rotation speed automatic slowdown as the working load increases to allow for a precise setting of the sails.

A **complete electrical winch** includes: self-tailing winch + power drive connection + motor gearbox + solenoid or control unit + switch.

All LEWMAR Ocean self-tailing winches (from size 34 upwards) can be easily converted into electric by means of a special conversion kit that keeps the winch manual operation characteristics unaltered.

To turn a manual winch into electric the following is needed: power drive connection + motor gearbox + solenoid or control unit + switch.



Model	M	N	P	R	S	T	U	V
Ocean 34	238,5	38,1	50	151	100,5	34,4	120,7	72,5
Ocean 40 - Evo/Evo Race 40	238,5	38,1	50	151	100,5	34,4	120,7	72,5
Ocean 46 - Evo/Evo Race 45	238,8	41,8	50	181	130,5	64,4	120,7	72,5
Ocean 48 - Evo/Evo Race 50	238,5	44,3	50	181	130,5	64,4	120,7	72,5
Ocean 50 - Evo/Evo Race 55	290	48,5	62	198,5	138,5	59,5	160	80
Ocean 54	290	48,5	62	198,5	138,5	59,5	160	80

### LEWMAR power drive connection

This base is used under the winch to provide a connection between the electric motor and the primary gearing of the winch.

Code	For winch model	Code	For winch model
68.121.34	34ST Ocean	68.121.54	54ST Ocean
68.121.40	40ST Ocean	68.121.41	40ST Evo/Evo Race
68.121.44	44ST Ocean	68.121.45	45ST Evo/Evo Race
68.121.46	46ST Ocean	68.121.51	50ST Evo/Evo Race
68.121.48	48ST Ocean	68.121.55	55ST Evo/Evo Race
68.121.50	50ST Ocean		



### LEWMAR motor gearbox

Electric motor and work gearbox to be mounted on the lower side of the power driving connection.

12 V	24 V	For winch model	W
68.122.12	12	OCEAN 34-40-44-46-48 + EVO/EVO Race 40-45-50	700
68.142.12	12	EVO 45-50 – oversized and prewired gear box with E version solenoid (fitted with management electronics)	1000
68.132.12	12	OCEAN 50-54 + EVO/EVO Race 55	1600
68.132.24	24	OCEAN 50-54 + EVO/EVO Race 55	2000



### LEWMAR electric control unit

Available in two models: E series with simple solenoid which sends an ON-OFF impulse or ELS series with control unit to control speed and protect against overload.

Code	V	For winch model	Version
68.123.12	12	OCEAN 34-40-44-46-48 + EVO/EVO Race 40-45-50	E
68.124.01	12	OCEAN 40 + EVO/EVO Race 40	ELS
68.134.55	12	OCEAN 54 + EVO/EVO Race 55	ELS
68.134.50	24	OCEAN 50 + EVO/EVO Race 50	ELS
68.124.05	24	OCEAN 54 + EVO/EVO Race 55	ELS



### LEWMAR electric switch

Made of composite material, fully watertight for deck mounting, fitted with opening lid.

Code	For winch	Version	Contact type	Outer Ø mm	Bore Ø mm
68.125.03	All models	Simple	Blade	80	8
68.125.04	All models	SS lid	Blade	80	8
68.125.05	All models	Simple	Microswitch	75	46



## LEWMAR winch exploded view drawing

LEWMAR®

What's inside a LEWMAR winch?

**Caratteristiche: Features;**

- Ampia gamma / *Broad Range*
- Massima potenza della categoria / *Most powerful in class*
- Facilità di montaggio / *Easy fitting*
- Semplicità di manutenzione / *Simple servicing*
- Self-tailing Wavespring / *Wavespring Self-Tailer*
- Tamburo a facile presa / *Needlepeen drum*
- Rete di assistenza / *Service network*
- Garanzia totale / *Fully guaranteed*



## LEWMAR winch spare parts

LEWMAR®

A maintenance kit is available for each LEWMAR winch. Parts are not sold separately.

## Ersatzteil von LEWMAR für EVO selbstholende Winschen

Ersatzteil	Für Winch-Modell	Art. Nr.
Abreibring - 5	15ST	68.957.01
	30ST; 40ST	68.957.02
	45ST	68.957.03
	50ST	68.957.04
	55ST	68.957.05
Selbstholender Arm - 2	15ST	68.854.01
	30ST; 40ST	68.854.02
	45ST	68.854.03
	50ST	68.854.04
	55ST	68.854.05
Mittlerer Achsansschlag - 3	15ST; 30ST; 40ST; 45ST; 50ST; 55ST	68.851.01
Rollenkäfige - 11	15ST; 30ST; 40ST; 45ST	68.950.01
	50ST; 55ST	68.950.03
Sicherungsring - 1	15ST	68.850.01
	30ST	68.850.02
	40ST	68.850.03
	45ST	68.850.04
	50ST	68.850.05
	55ST	68.850.06
Sperrklinkensatz - 18	15ST; 30ST; 40ST; 45ST; 50ST	68.915.01
	55ST	68.915.02

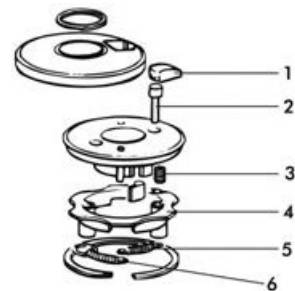
## LEWMAR spare parts for Ocean self-tailing winch

Spare part	For winch model	Code
Stripper ring - 5	16ST	68.956.01
	28ST; 30ST; 34ST; 40 ST	68.956.02
	44ST; 46ST	68.956.03
	48ST	68.956.04
	50ST; 54ST	68.956.05
	58ST; 64ST; 65ST	68.956.06
Self-tailing arm - 2	16ST	68.954.01
	28ST	68.954.02
	30ST	68.954.03
	40ST	68.954.05
	44ST	68.954.06
	46ST	68.954.13
	48ST	68.954.07
	50ST	68.954.08
	54ST	68.954.09
	58ST	68.954.10
64ST	68.954.11	
65ST	68.954.12	
Central collets - 3	16ST; 28ST; 30ST; 34ST; 40ST; 44ST; 46ST; 48ST; 50ST; 54ST; 58ST; 64ST; 65ST	68.951.01
Roller bearing assembly - 11	16ST; 28ST; 30ST; 34ST; 40ST	68.950.01
	44ST; 46ST	68.950.02
	48ST; 50ST; 54ST; 58ST; 64ST; 65ST	68.950.03
Fixing ring - 1	16ST	68.952.01
	28ST; 30ST; 34ST; 40ST; 44ST; 46ST; 48ST; 50ST; 54ST	68.952.02
	58ST; 64ST; 65ST	68.952.03
Upper/lower crown and stripper ring kit - 4-5-6	16ST	68.953.01
	28ST; 30ST	68.953.02
	34ST; 40ST	68.953.03
	44ST; 46ST	68.953.04
	48ST	68.953.05
	50ST; 54ST	68.953.06
	58ST; 64ST; 65ST	68.953.07
Top cap kit - 18	16ST; 28ST; 30ST; 34ST; 40ST; 44ST; 46ST; 48ST	68.915.01
	50ST; 54ST; 58ST; 64ST; 65ST	68.915.02

The spare parts above are for winches of the Ocean series made after year 1992. The year is indicated on the drum top cap.

## LEWMAR spare parts for 3-speed winches

Code	Type of spare part
68.955.01	Spring support ring for third speed (4)
68.955.02	Stainless steel pin for third speed coupling (2)
68.955.03	Return spring for pin (3)
68.955.04	Ring holding spring (5)
68.955.05	Button for third speed coupling (1)
68.955.06	Mounting pin inside the holding spring (6)



## LEWMAR stripper ring for Evo winches

Only for Evo series winches produced from 2011 on (item 5 on drawing "What's inside a LEWMAR winch?").

Code	Type
68.957.01	Evo 15
68.957.02	Evo 30 / 40
68.957.03	Evo 45
68.957.04	Evo 50
68.957.05	Evo 55



## LEWMAR winch handles

LEWMAR®



## LEWMAR standard ball bearing handle

Available in several versions, materials and with Power Grip handle to make two-handed grip easier when subjected to maximum stress.

Length mm		Model
200	250	
68.201.20	68.201.25	Made of aluminium, fitted with lock
-	68.211.25	Made of chromed bronze, fitted with lock



## LEWMAR OneTouch ball bearing handle

**DAME AWARD 2006**

The patented and innovative OneTouch mechanism allows to lock in and remove the winch handle with one hand. Simply squeeze the release lever, which runs the entire length of the handle, and pull to unlock in one quick and easy motion. Available in PowerGrip version to make two-handed grip easier when subjected to maximum stress.

Code	Length mm	Model
68.221.25	250	aluminium
68.222.25	250	aluminium, with PowerGrip



## LEWMAR winch handle pocket

68.201.00 Made of UV-resistant PVC, it is highly weatherproof. Rear bulkhead mounting and drain.



## LEWMAR Titan floating winch handle

The Titan floating winch handle has been designed to combine lightweight and resistance to saltwater environments. Made with high quality materials. Available in two versions: Primary floating handle for pleasure boats and Magnum ball bearing handle for racing boats.

Length mm		Description	Colour
Primary 200	Magnum 250		
68.231.20	68.231.25	Primary with lock	Red

## LEWMAR®



68.915.00



68.915.01/02

## LEWMAR accessories for periodic maintenance

Code	Description
68.915.01	6 x standard pawls for winch 5-48 and 66 + 12 pawl springs
68.915.02	6 x large pawls for winch 50-65 + 12 pawl springs
68.915.00	Winch maintenance pack including service manual, oil bottle, grease tube, brush and 10 pawl springs

## Winch cover

Made of Sunbrella water- and UV-resistant fabric. Elastic fastening for snug fit.



Code	Winch type	Max height mm	Max base mm	Colour	Style
68.098.01	Standard	130	140	Blue	Style A
68.098.02	Standard	145	140	Blue	Style A
68.098.05	Self-tailing	160	145	Blue	Style B
68.098.06	Self-tailing	180	150	Blue	Style B
68.098.07	Self-tailing	200	170	Blue	Style B
68.098.08	Self-tailing	215	190	Blue	Style B
68.098.09	Self-tailing	230	200	Blue	Style B
68.098.10	Self-tailing	250	205	Blue	Style B
68.098.11	Self-tailing	280	270	Blue	Style B
68.098.12	Self-tailing	315	290	Blue	Style B

## LEWMAR Accessories for steering systems

**LEWMAR**

### Compact folding wheels

Quick folding system. Traditional wheels take much room in the cockpit. Lewmar folding wheels prevent this issue. Ideal for a wide range of yachts, including those with double wheels. Folding wheels take less than half the space in comparison with their competitors. The stainless steel hinges make them very rigid for navigation, whereas the composite handles make the handling very easy with quick wheel opening/closing.



Code	Model	Ø cm
69.101.40	Folding	101
69.101.36	Folding	91

Other sizes available on request

### Wheel brake spinner LEWMAR

**AISI 316**

To be installed on any Lewmar steering system; locks the steering system, made of mirror polished stainless steel, available in 2 versions depending on the wheel used.

Code	For wheels
69.911.00	Folding Commodore (single wheel spoke)
69.911.01	Mini Maxi and Fastnet (twin wheel spoke)



### Quick release nut for Commodore wheels LEWMAR

**69.812.01** Can quickly remove the wheel from the bollard with just one winch handle movement; made of mirror polished AISI 316 stainless steel, upon request also available in Mini, Maxi or Fastnet versions.



### Engine control with single lever LEWMAR

**AISI 316**

**69.810.00** Designed exclusively for Lewmar, this engine control system has magnetic features, therefore can be mounted onto the bollard or onto the bulkhead without interfering with the compass; made of AISI 316 stainless steel, fitted with straight lever and idle button.



### Engine unit with autopilot LEWMAR

Designed in collaboration with shipyards in order to resolve issues concerning the correct functioning of the autopilot and to ease the installation.

- 1) All units are fitted with a electro-mechanical friction system that eliminates almost all the system resistance when not in used
- 2) All units are compatible with most AP electronic products, like Raymarine, B&G and Simrad
- 3) All the engine units have a low power absorption
- 4) Availability of engine units with power equal to 1/4, 1/2 and 1 CV suitable for all types of Lewmar steering systems.

Code	For installation on
69.310.01	Bavaria 30, 33, 37 and 39 cruising
69.310.02	Bavaria 40, 42, 44, 46, 49 and 50 cruising - Dufour Gib Sea 43 - Hallberg Rassy 46, 48 e 53 (12V) - Hanse 461 - Hunter 49 - Najad 460, 490 and 511
69.310.03 <b>New</b>	Part of spares for Integra MK2 autopilot
69.320.01	Dufour 34
69.320.02	Dufour 40 and 44

**LEWMAR**
