



Sticks and trapeze handles

OSCULATI



Telescopic tiller extensions

Made of **anodized aluminium**, fitted with Soft handle.

Code	Pipe Ø mm	Handgrip Ø mm	Length cm
60.668.00	17 - 20	25	66 - 120
60.668.01	17 - 20	25	93 - 173

Tiller extension

Made of **black anodized aluminium**, fitted with elastomer swivel and "golf" handgrip.



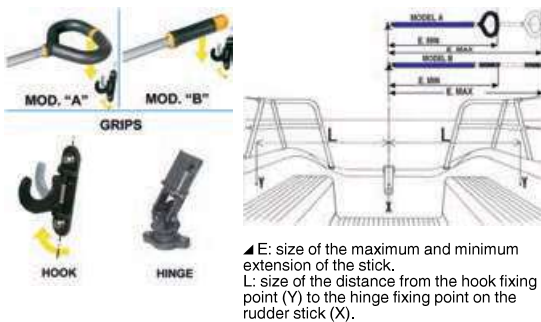
Code	Ø mm	Length cm
60.511.00	16	61
60.511.11	16	76
60.511.12	16	91

FRIEND tiller extension

Adjustable in length in an easy and precise way.

It includes two important functions:

- 1) it is a sturdy tiller that extends with precision
- 2) it is a manual self-steering; it has the same function of the handwheel locking the wheel steering. When locked in its place it holds the tiller in the desired position, it can be easily adjusted by turning the handle and sliding the tiller up to new position. Leaving the handle, "Friend" will lock it in that position. Coming back to traditional stick steering is easy and intuitive: rise it from its bracket to disengage. Useful when needing to leave the tiller when sailing, or when at mooring/anchor to lock the tiller.



Handle		Extensible mm	Boat L measure
A	B		
-	60.663.02	585/821	670/760
60.664.00	60.663.00	642/935	760/870
60.664.01	60.663.01	750/1043	870/980



Tiller extension fitting



Code	Description
60.050.04	Removable joint for elastomer stick, suitable for pipe Ø 13 mm inner part
60.050.05	Adaptable base for tube size 25/32 mm, external
60.050.06	Reduction bushing for pipe Ø mm 17 inner side



Flexible tiller extension fitting

Made of **nylon and neoprene**, allows easy removal of the tiller extension if necessary.

Code	For internal pipe Ø mm
60.237.60	16

Tiller extension fitting



60.316.00 Made of **stainless steel**, Italian production.

Grateau tiller extension fitting



60.317.00 Keeps the stick at a horizontal position at all times.

Tiller extension retaining clip

Made of **black nylon**.

Code	For pipe mm
60.234.00	15/16
60.238.40	18/20
60.238.60	22



Trapeze ring

With adjusting block

Code	For sheets up to mm	Length mm
60.514.70	6	180



Trapeze extension



60.514.80 Made of stainless steel.

Trapeze handle



60.205.00 ILV trapeze handle made of **black nylon**. Comfortable and lightweight.

Trapeze handle



60.534.00 With soft anatomically designed inserts.

Disk trapeze bundle

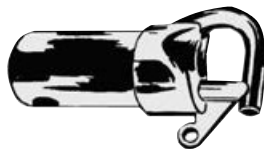
Also suitable as line locks (red, green, blue, yellow, black).

red	green	blue	yellow	black	Ø mm
60.202.01RO	60.202.01VE	60.202.01BL	60.202.01GI	60.202.01NE	52
60.202.02RO	60.202.02VE	60.202.02BL	60.202.02GI	60.202.02NE	65



Spinnaker ends and brackets

RWO spinnaker pole end, very light



Made of **black nylon and stainless steel**; to be fitted inside aluminium poles.

Code	For pipe inside Ø mm	D Ø mm
60.137.70	25	24
60.137.71	30	29

Spinnaker pole end



Compact and very practical, made of anodized aluminium, black colour.

Code	For pipe Ø mm	D Ø mm
60.043.00	30x1,5	27
60.043.01	40x2	36

Spinnaker pole fittings

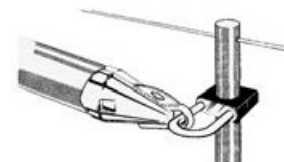
Made of **anodized aluminium**, fitted with **stainless steel** spring piston.

Code	For pipe Ø mm	D Ø mm
60.328.10	50x46	46
60.328.11	65x60	60



Spinnaker pole U bolt.

60.157.10 Made of stainless steel with stanchion mounting plate Ø size 25 mm.



"Sea Sure" plate for mast fitting

Sea Sure plate, made of **stainless steel**, suitable for 100-mm Ø masts or booms.

Code	Plate mm	Round bar Ø size mm	Mounting
60.137.34	63x75	8	6 screws size 5 mm

Flate eye plate

Plate fitted with ring, made of **stainless steel**, fitted with flat base.

Code	Plate mm	Round bar Ø mm	mounting
60.137.33	50x40	6	4 screws size 5 mm

**Sea Sure spinnaker pole mast eye**

Sea Sure product made of **AISI 316 stainless steel**.

Code	Plate mm	Round bar Ø mm	Mounting
60.137.32	44x50	6	4 screws size 5 mm

Hook on horizontally curved plate

60.137.30 **Stainless steel** plate to hook joint 60.137.70, Italian production.

Hook on vertically curved plate

60.147.30 **Stainless steel** plate, Italian product.

Stainless steel plate

Code	Radius mm	ring Ø mm	hole Ø mm
60.530.80	55/60	6	5

Stainless steel plate

Code	Radius mm	Ring Ø mm	hole Ø mm
60.530.90	70	6	5